

# Product datasheet

Specifications



## white square flush pushbutton head Ø16 spring return unmarked

ZB6CA1

⚠ Discontinued on: 20-Oct-2020

⚠ End-of-service on: 11-Jul-2022

⚠ Discontinued

### Main

|                               |                                      |
|-------------------------------|--------------------------------------|
| Range of product              | Harmony XB6                          |
| product or component type     | Head for non-illuminated push-button |
| Device short name             | ZB6                                  |
| Bezel material                | Plastic                              |
| Mounting diameter             | 16 mm                                |
| Sale per indivisible quantity | 1                                    |
| Shape of signaling unit head  | Square                               |
| Type of operator              | spring return                        |
| Operator profile              | White flush, unmarked                |

### Complementary

|                    |          |
|--------------------|----------|
| CAD overall width  | 18 mm    |
| CAD overall height | 18 mm    |
| CAD overall depth  | 33 mm    |
| net weight         | 0.016 kg |

### Environment

|                                       |  |
|---------------------------------------|--|
| protective treatment                  | TC   |
| Ambient air temperature for storage   | -40...70 °C  |
| Ambient air temperature for operation | -25...70 °C  |
| Electrical shock protection class     | Class II conforming to IEC 61140   |
| IP degree of protection               | IP65 conforming to IEC 60529   |
| NEMA degree of protection             | NEMA 13 conforming to UL 50<br>NEMA 4 conforming to UL 50<br>NEMA 4X conforming to UL 50<br>NEMA 13 conforming to CSA C22.2 No 94<br>NEMA 4 conforming to CSA C22.2 No 94<br>NEMA 4X conforming to CSA C22.2 No 94 |

|           |  |
|-----------|--|
| Standards | EN/IEC 60947-1<br>EN/IEC 60947-5-1<br>JIS C8201-5-1<br>CSA C22.2 No 14<br>JIS C 852<br>UL 508<br>EN/IEC 60947-5-5<br>JIS C8201-1 |
|-----------|--|

---

|                               |                          |
|-------------------------------|--------------------------|
| <b>Product certifications</b> | CCC<br>CSA<br>UL<br>GOST |
|-------------------------------|--------------------------|

---

|                             |  |
|-----------------------------|--|
| <b>Vibration resistance</b> | +/- 3 mm (f= 2...500 Hz) conforming to IEC 60068-2-6<br>5 gn (f= 2...500 Hz) conforming to IEC 60068-2-6 |
|-----------------------------|--|

---

|                         |  |
|-------------------------|--|
| <b>Shock resistance</b> | 30 gn (duration = 18 ms) for half sine wave acceleration conforming to IEC 60068-2-27<br>50 gn (duration = 11 ms) for half sine wave acceleration conforming to IEC 60068-2-27 |
|-------------------------|--|

## Contractual warranty

---

|                 |           |
|-----------------|-----------|
| <b>Warranty</b> | 18 months |
|-----------------|-----------|

## Sustainability

**Green Premium™ label** is Schneider Electric's commitment to delivering products with best-in-class environmental performance. Green Premium promises compliance with the latest regulations, transparency on environmental impacts, as well as circular and low-CO<sub>2</sub> products.

**Guide to assessing product sustainability** is a white paper that clarifies global eco-label standards and how to interpret environmental declarations.

[Learn more about Green Premium >](#)

[Guide to assess a product's sustainability >](#)

## Well-being performance

✓ Reach Free Of Svhc

---

✓ Toxic Heavy Metal Free

---

✓ Mercury Free

---

✓ Rohs Exemption Information [Yes](#)

---

**Reach Regulation** [REACH Declaration](#)

---

**Eu Rohs Directive** Pro-active compliance (Product out of EU RoHS legal scope)  
[EU RoHS Declaration](#)

---

**China Rohs Regulation** [China RoHS declaration](#)

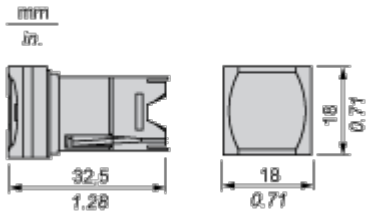
---

Dimensions Drawings

Square Head for Illuminated or Non Illuminated Pushbutton

---

Dimensions

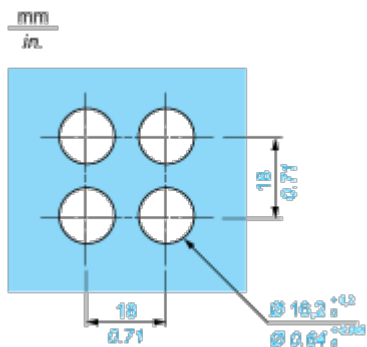


## Mounting and Clearance

### Panel Cut-out

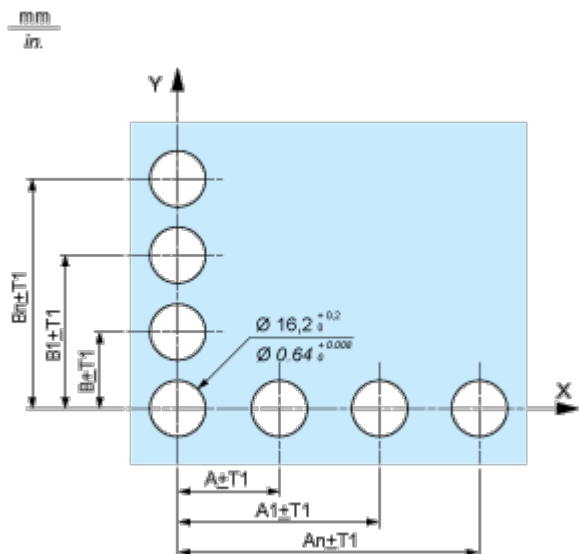
---

#### For Square or Circular Head

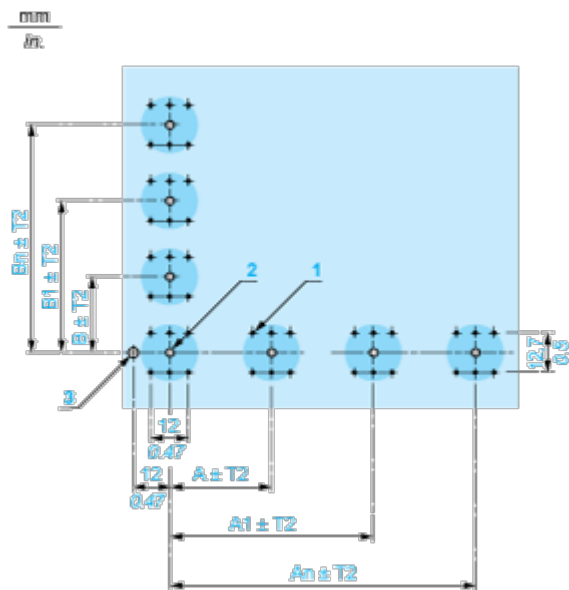


Pushbuttons, Switches and Pilot Lights for Printed Circuit Board Connection

Front Panel Cut-out (Viewed from Installer's Side)



Printed Circuit Board Drillings (Viewed from Electrical Block Side)



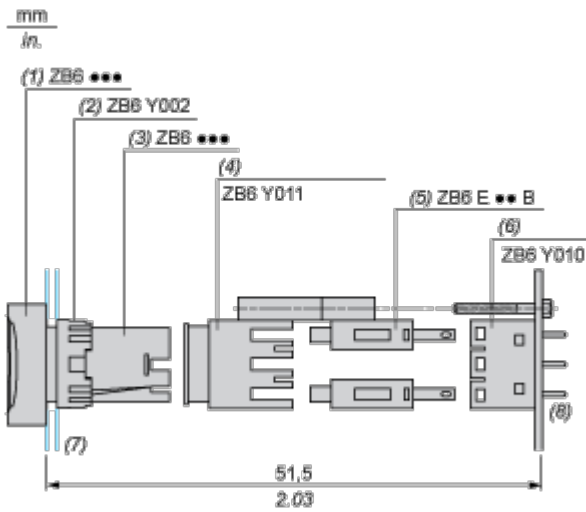
- A 24 mm/0.94 in. minimum for rectangular heads, 18 mm/0.71 in. minimum for square or circular heads
- B 18 mm/0.71 in. minimum
- (1) 6 x  $\varnothing 1.1$  mm / 6 x  $\varnothing 0.04$  in. holes.
- (2) 1 x  $2.6^{0}_{-0,2}$  mm / 1 x  $\varnothing 0.10^{0}_{-0,008}$  in. hole for locating pin, only when using socket adaptor ZB6Y010.
- (3) 1 x  $3.2^{0}_{-0,2}$  mm / 1 x  $\varnothing 0.13^{0}_{-0,008}$  in. hole for fixing of printed circuit board onto the front panel using body bracket ZB6Y011. This hole must be drilled on the left-hand side, when heads are positioned at the normal angle. Fit a body bracket ZB6Y011 every 72 mm/2.83 in. maximum for cut-outs on 24 mm/0.94 in. centres (rectangular heads) and 54 mm/2.13 in. maximum for cut-outs on 18 mm/0.71 in. centres (square or circular heads).

General tolerances of the panel and printed circuit board: T1, T2: T1 + T2 = 0.3 mm/0.01 in. maximum.  
 Installation precautions:

Thickness of printed circuit board: 1.6 mm/0.06 in. minimum.

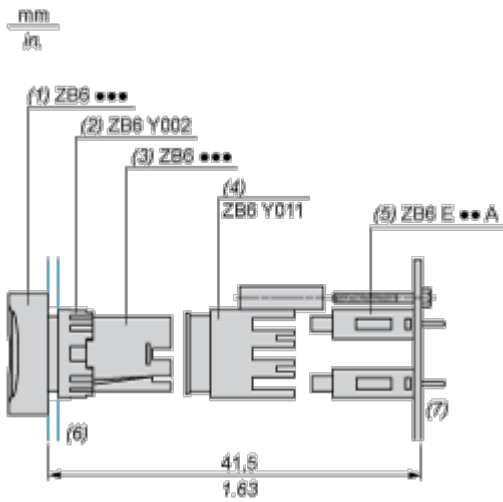
**Mounting with Body Bracket**

With socket adaptor ZB6Y010



- (1) Head
- (2) Nut
- (3) Body
- (4) Body bracket
- (5) Contact block
- (6) Socket adaptor
- (7) Panel
- (8) Printed circuit

**Direct mounting without socket adaptor ZB6Y010**



- (1) Head
- (2) Nut
- (3) Body
- (4) Body bracket
- (5) Contact block
- (6) Panel
- (7) Printed circuit

