

Product data sheet

Specifications



Harmony eXLhoist, standard,
Remote control, LED, 6 motion push
buttons, 2 auxiliary push buttons,
MBC (tandem)

ZART8LM

! Discontinued

! Discontinued on: Jun 30, 2023

**Product availability: Non-Stock - Not normally stocked in
distribution facility**

Main

Range of Product	Harmony eXLhoist
Product or Component Type	Hand-held remote control
Device short name	ZART
Control Button Type	6 configurable motion push-button 2 configurable auxiliary push-button

Complementary

Device application	Slave in multiple bridge control (tandem)
Material	Enclosure PC (polycarbonate) Enclosure PBT (polybutylene terephthalate) Cover PP (polypropylene) Protective cover EPDM rubber
Function Available	Accelerometer function
Display type	4 LEDs
Operating Distance	50 m
Mechanical robustness	Free fall resistance 4.5 m IEC 60068-2-27
Communication network type	Wireless bluetooth low energy
Transmission frequency	2.4 GHz
Maximum sensing distance	328.08 ft (100 m) in free field
Response time	< 300 ms full duplex
Charging time	900 s
Autonomy	30 h
Mechanical durability	5000000 cycles
Service Life	5 year(s)
Width	3.9 in (100 mm)
Height	13.4 in (340 mm)
Depth	3.5 in (90 mm)
Net Weight	1.43 lb(US) (0.65 kg)

Environment

Price is "List Price" and may be subject to a trade discount – check with your local distributor or retailer for actual price.

Radio agreement	RSS FCC ICASA SRRC ARIB ANATEL
IP degree of protection	IP65
NEMA degree of protection	NEMA 4
Ambient Air Temperature for Operation	-4...140 °F (-20...60 °C)
Ambient Air Temperature for Storage	-4...113 °F (-20...45 °C)
Operating altitude	0...6561.68 ft (0...2000 m)
Storage altitude	0.000000000...9842.5 ft (0...3000 m)
Vibration resistance	0.075 mm 10...55 Hz)IEC 60068-2-6
Shock resistance	100 gn IEC 60068-2-27
Relative humidity	0...95 % -4...140 °F (-20...60 °C) operating
Product Certifications	EAC CSA C-tick UL CE KC JIS

Ordering and shipping details

Category	US10CS222479
Discount Schedule	0CS2
GTIN	3606481138309
Returnability	No
Country of origin	FR

Packing Units

Unit Type of Package 1	PCE
Number of Units in Package 1	1
Package 1 Height	4.2 in (10.7 cm)
Package 1 Width	4.02 in (10.2 cm)
Package 1 Length	13.2 in (33.6 cm)
Package 1 Weight	25.1 oz (713 g)
Unit Type of Package 2	CAR
Number of Units in Package 2	1
Package 2 Height	4.2 in (10.7 cm)
Package 2 Width	4.02 in (10.2 cm)
Package 2 Length	13.3 in (33.7 cm)
Package 2 Weight	25.8 oz (732 g)
Unit Type of Package 3	S03
Number of Units in Package 3	4
Package 3 Height	11.8 in (30 cm)

Package 3 Width	11.8 in (30 cm)
Package 3 Length	15.7 in (40 cm)
Package 3 Weight	8.027 lb(US) (3.641 kg)

Sustainability

Green Premium™ label is Schneider Electric's commitment to delivering products with best-in-class environmental performance. Green Premium promises compliance with the latest regulations, transparency on environmental impacts, as well as circular and low-CO₂ products.

Guide to assessing product sustainability is a white paper that clarifies global eco-label standards and how to interpret environmental declarations.

[Learn more about Green Premium >](#)

[Guide to assess a product's sustainability >](#)

Well-being performance

✓ Mercury Free

✓ Rohs Exemption Information [Yes](#)

Eu Rohs Directive Pro-active compliance (Product out of EU RoHS legal scope)

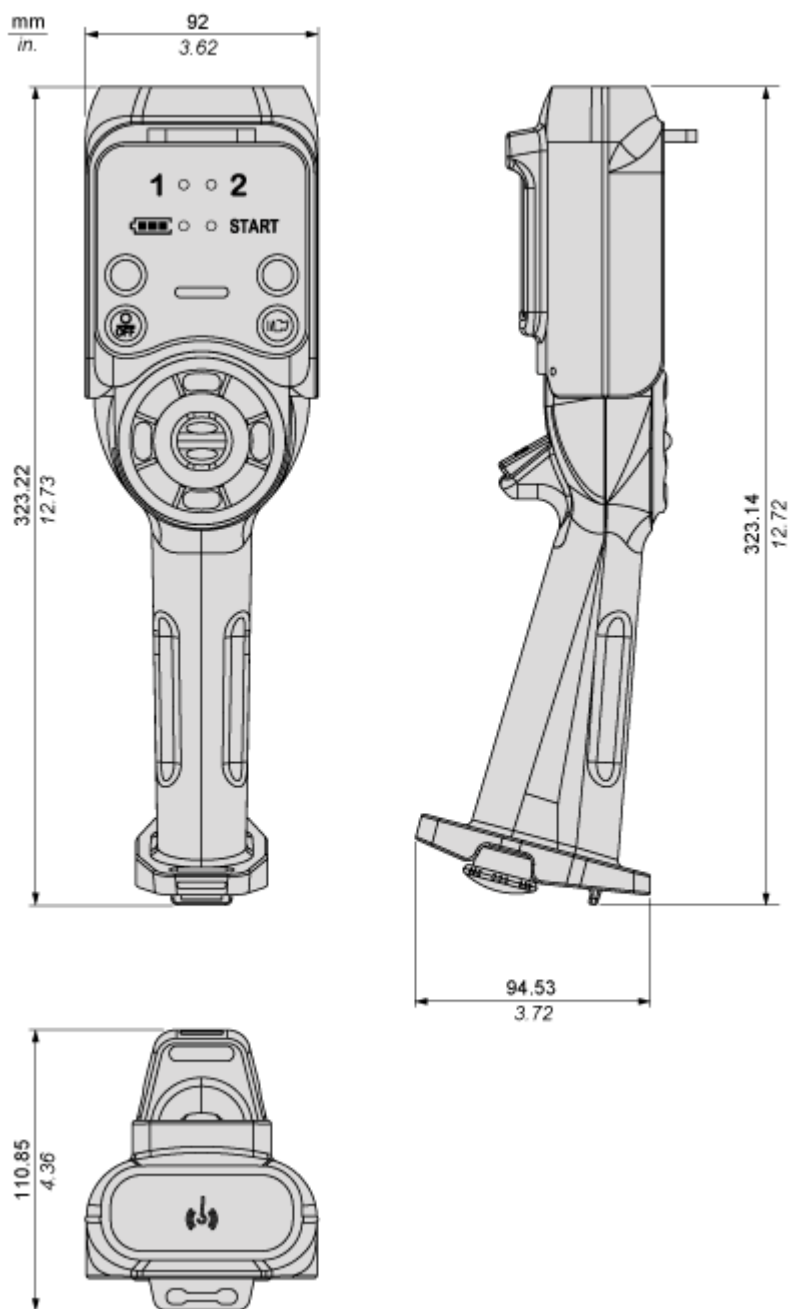
China Rohs Regulation [China RoHS declaration](#)

Weee The product must be disposed on European Union markets following specific waste collection and never end up in rubbish bins.

California Proposition 65 WARNING: This product can expose you to chemicals including: Nickel compounds, which is known to the State of California to cause cancer, and Di-isodecyl phthalate (DIDP), which is known to the State of California to cause birth defects or other reproductive harm. For more information go to www.P65Warnings.ca.gov

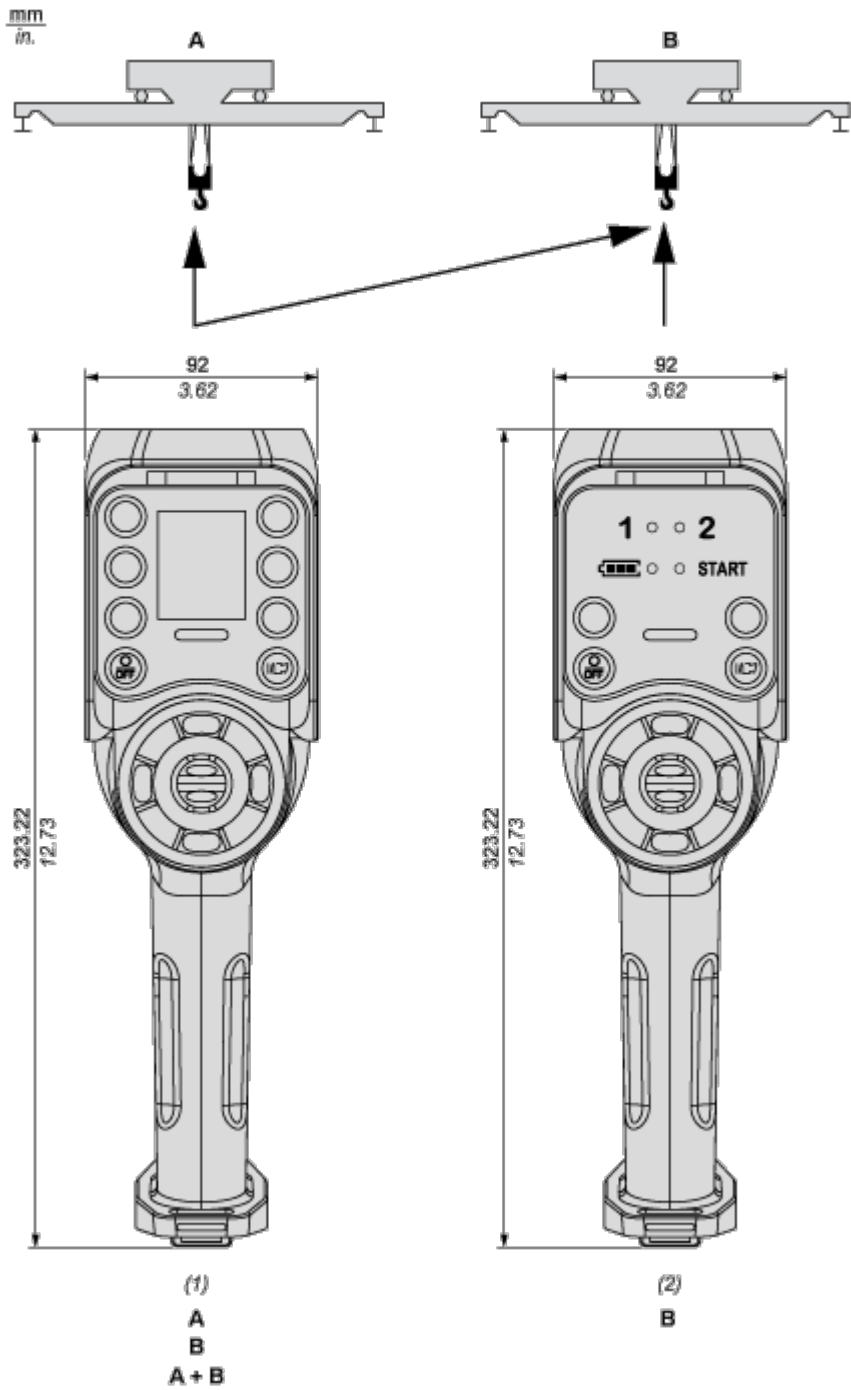
Dimensions Drawings

Dimensions



Technical Description

Multiple Bridge Control



A : Bridge 1

B : Bridge 2

(1) Master

(2) Slave

Technical Illustration

Dimensions

