

## Connect Connector-Terminal Block Conversion Units (XW2□) to I/O Units for Programmable Controllers with one touch.



### Ordering Information

#### For 32-point, Connector-type I/O Units for Programmable Controllers

XW2Z-□□□A

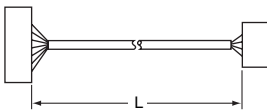
(For XW2D-20G6/XW2B-20G□/-40G5-T/-20G5-D/  
XW2C-20G5-IN16/20G6-IO16/XW2E-20G5-IN16/  
XW2F-20G7-IN16/-OUT16/XW2N-20G8-IN16)

Cable length L (m) *	Model
0.5	XW2Z-050A
1.0	XW2Z-100A
1.5	XW2Z-150A
2.0	XW2Z-200A
3.0	XW2Z-300A
5.0	XW2Z-500A
10.0	XW2Z-010A
15.0	XW2Z-15MA
20.0	XW2Z-20MA

XW2Z-□□□AU (For XW2D-20C6)

Cable length L (m) *	Model
0.5	XW2Z-050AU
1.0	XW2Z-100AU
1.5	XW2Z-150AU
2.0	XW2Z-200AU
3.0	XW2Z-300AU
5.0	XW2Z-500AU

\*Cable length L (m)

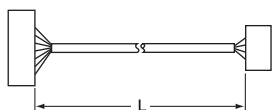


## For 32-point, Connector-type I/O Units (Group 2) for Programmable Controllers For 64-point, Connector-type I/O Units for Programmable Controllers

XW2Z-□□□B (For XW2D-40G6/XW2B-40G□)

Type	Cable length L (m) *	Model
Normal wiring	0.5	XW2Z-050B
	1.0	XW2Z-100B
	1.5	XW2Z-150B
	2.0	XW2Z-200B
	3.0	XW2Z-300B
	5.0	XW2Z-500B
	10.0	XW2Z-010B
	15.0	XW2Z-15MB
Reverse wiring	0.5	XW2Z-050B-R1
	1.0	XW2Z-100B-R1
	1.5	XW2Z-150B-R1
	2.0	XW2Z-200B-R1
	3.0	XW2Z-300B-R1
	5.0	XW2Z-500B-R1

\*Cable length L (m)



XW2Z-□□□BU (For XW2D-40C6)

Type	Cable length L (m) *	Model
Normal wiring	0.5	XW2Z-050BU
	1.0	XW2Z-100BU
	1.5	XW2Z-150BU
	2.0	XW2Z-200BU
	3.0	XW2Z-300BU
	5.0	XW2Z-500BU

XW2Z-□□□B-A (For XW2F-40G7-IN32)

Type	Cable length L (m) *	Model
Normal wiring	1.0	XW2Z-100B-A
	1.5	XW2Z-150B-A
	2.0	XW2Z-200B-A
	3.0	XW2Z-300B-A
	5.0	XW2Z-500B-A

XW2Z-□□□B-B (For XW2F-40G7-OUT32)

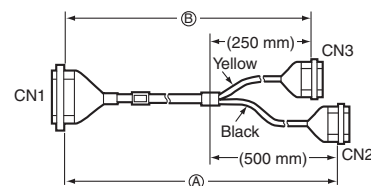
Type	Cable length L (m) *	Model
Normal wiring	1.0	XW2Z-100B-B
	1.5	XW2Z-150B-B
	2.0	XW2Z-200B-B
	3.0	XW2Z-300B-B
	5.0	XW2Z-500B-B

## For 32-point, Connector-type Input Units (Group 2) for Programmable Controllers For 64-point, Connector-type Input Units for Programmable Controllers

XW2Z-□□□D

Cable length L (m) *		Model
(A)	(B)	
1.0	0.75	XW2Z-100D
1.5	1.25	XW2Z-150D
2.0	1.75	XW2Z-200D
3.0	2.75	XW2Z-300D
5.0	4.75	XW2Z-500D
10.0	9.75	XW2Z-010D
15.0	14.75	XW2Z-15MD
20.0	19.75	XW2Z-20MD

\*Cable length L (m)

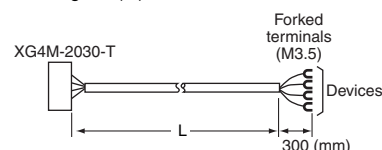


## 20-pole Cable with Discrete-wire Press-fit Terminals

XW2Z-□□□F

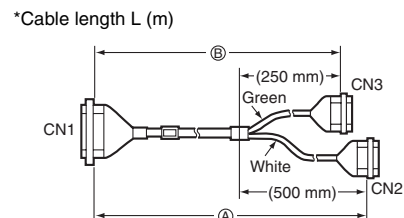
Cable length L (m) *	Model
1.0	XW2Z-100F
1.5	XW2Z-150F
2.0	XW2Z-200F
3.0	XW2Z-300F
5.0	XW2Z-500F
10.0	XW2Z-010F
15.0	XW2Z-15MF
20.0	XW2Z-20MF

\*Cable length L (m)



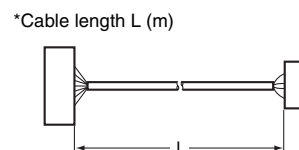
## For 32-point, Connector-type Output Units (Group 2) for Programmable Controllers For 64-point, Connector-type Output Units for Programmable Controllers XW2Z-□□□L

Cable length L (m) *		Model
(A)	(B)	
1.0	0.75	XW2Z-100L
1.5	1.25	XW2Z-150L
2.0	1.75	XW2Z-200L
3.0	2.75	XW2Z-300L
5.0	4.75	XW2Z-500L
10.0	9.75	XW2Z-010L
15.0	14.75	XW2Z-15ML
20.0	19.75	XW2Z-20ML



## For 96-point, Connector-type I/O Units for Programmable Controllers XW2Z-□□□H-1 (For CS1-series I/O Unit Connection)

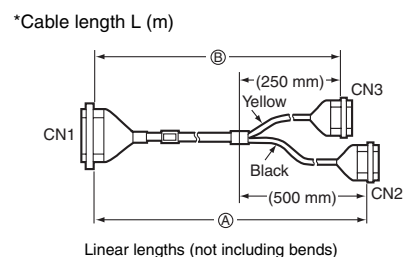
Special Connecting Cables *	
Cable length L (m)	Model
0.5	XW2Z-050H-1
1.0	XW2Z-100H-1
1.5	XW2Z-150H-1
2.0	XW2Z-200H-1
3.0	XW2Z-300H-1
5.0	XW2Z-500H-1
7.0	XW2Z-700H-1
10.0	XW2Z-010H-1
1.0	XW2Z-100H-1G
1.5	XW2Z-150H-1G
2.0	XW2Z-200H-1G
3.0	XW2Z-300H-1G
5.0	XW2Z-500H-1G



\*Up to two cables required for each Programmable Controller I/O Unit.  
Note: CS1 signal names connected to the XW2B/D are different for the XW2Z-□□□H-□ and the XW2Z-□□□H-□G.  
Refer to the I/O Signal Tables on page 9.

## XW2Z-□□□H-2 (For CS1-series I/O Unit Connection)

Special Connecting Cables *		
Cable length L (m)		Model
(A)	(B)	
1.0	0.75	XW2Z-100H-2
1.5	1.25	XW2Z-150H-2
2.0	1.75	XW2Z-200H-2
3.0	2.75	XW2Z-300H-2
5.0	4.75	XW2Z-500H-2
10.0	9.75	XW2Z-010H-2
1.0	0.75	XW2Z-100H-2G
1.5	1.25	XW2Z-150H-2G
2.0	1.75	XW2Z-200H-2G
3.0	2.75	XW2Z-300H-2G
5.0	4.75	XW2Z-500H-2G



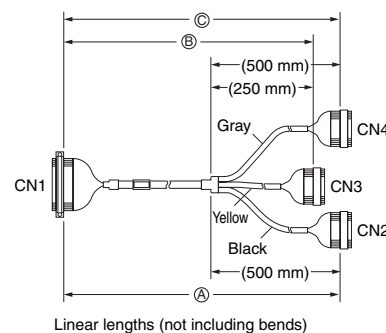
\*Up to two cables required for each Programmable Controller I/O Unit.  
Note: CS1 signal names connected to the XW2B/D are different for the XW2Z-□□□H-□ and the XW2Z-□□□H-□G.  
Refer to the I/O Signal Tables on page 9.

## XW2Z-□□□H-3 (For CS1-series I/O Unit Connection)

Special Connecting Cables *			
Cable length L (m)			Model
A	B	C	
1.0	0.75	1.0	XW2Z-100H-3
1.5	1.25	1.5	XW2Z-150H-3
2.0	1.75	2.0	XW2Z-200H-3
3.0	2.75	3.0	XW2Z-300H-3
5.0	4.75	5.0	XW2Z-500H-3
10.0	9.75	10.0	XW2Z-010H-3

\*Up to two cables required for each Programmable Controller I/O Unit.

\*Cable length L (m)



## For 32-point, MIL Connector-type I/O Units for Programmable Controllers

### XW2Z-□□□K

Cable length L (m) *	Model
0.25	XW2Z-C25K
0.5	XW2Z-C50K
1.0	XW2Z-100K
1.5	XW2Z-150K
2.0	XW2Z-200K
3.0	XW2Z-300K
5.0	XW2Z-500K

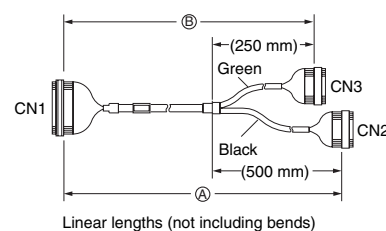
\*Cable length L (m)



### XW2Z-□□□N

Cable length L (m) *		Model
A	B	
1.0	0.75	XW2Z-100N
1.5	1.25	XW2Z-150N
2.0	1.75	XW2Z-200N
3.0	2.75	XW2Z-300N
5.0	4.75	XW2Z-500N
10.0	9.75	XW2Z-010N
15.0	14.75	XW2Z-15MN
20.0	19.75	XW2Z-20MN

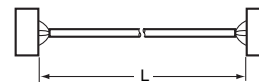
\*Cable length L (m)



### XW2Z-□□□X

Cable length L (m) *	Model
0.5	XW2Z-C50X
1.0	XW2Z-100X
2.0	XW2Z-200X
3.0	XW2Z-300X
5.0	XW2Z-500X
10.0	XW2Z-010X

\*Cable length L (m)



## Ratings and Specifications

<b>Rated current</b>	1 A
<b>Rated voltage</b>	125 VAC 24 VDC
<b>Contact resistance</b>	20 mΩ max. (at 20 mV, 100 mA max.) *1
<b>Insulation resistance</b>	100 MΩ min. (at 500 VDC)
<b>Dielectric strength</b>	500 VAC for 1 min (leakage current: 1 mA max.) *2
<b>Ambient operating temperature</b>	-25 to 80°C

\*1. Contact resistance for the Connector.

\*2. Dielectric strength for the Connector.

## Materials and Finish

Item	Part name		Materials and Finish
<b>Connectors</b>	XG4M-2030 XG4M-4030	Housing	Fiber-glass reinforced PBT resin (UL94V-0)/black
		Cover	
	Contacts	Mating end	Phosphor bronze/nickel base, 0.15-μm gold plating
		Press-fit end	Phosphor bronze/nickel base, 2.0-μm tin plating
	XG4T-2004/4004	Strain Relief	Fiber-glass reinforced PBT resin (UL94V-0)/black
	FCN-367J024-AU/F * FCN-367J040-AU/F	Housing	Polyester resin (UL94V-0)/black
		Contacts	Mating end
Press-fit end			Copper alloy/tin plated
	Connecting screw	Steel/nickel plated	
<b>Cable</b>	UL2464 Interface Cable		AWG28 or the equivalent
<b>Crimp terminal</b>	Forked crimp terminal		1.25 Y AS 3.5 or the equivalent

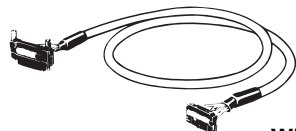
Note: These housings, contacts, and connecting screws are made by Fujitsu.

## Appearance and Wiring Diagrams

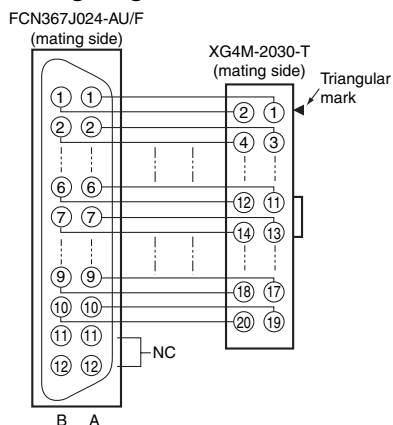
### For 32-point, Connector-type I/O Units for Programmable Controllers

**XW2Z-□□□A**

(For XW2D-20G6/XW2B-20G□/-40G5-T/-20G5-D/  
XW2C-20G5-IN16/20G6-IO16/XW2E-20G5-IN16/  
XW2F-20G7-IN16/-OUT16/XW2N-20G8-IN16)

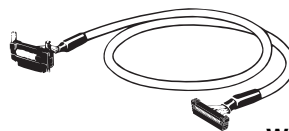


**Wiring Diagram**

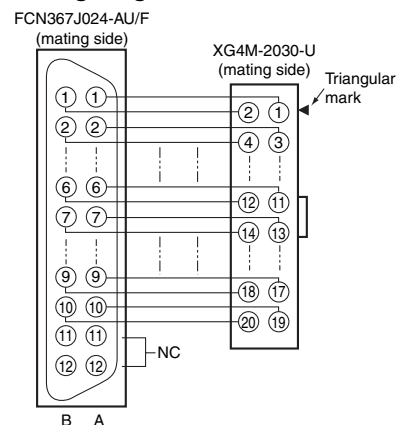


**XW2Z-□□□AU**

(For XW2D-20C6)

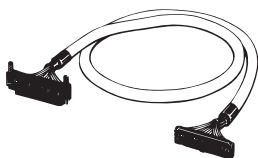


**Wiring Diagram**



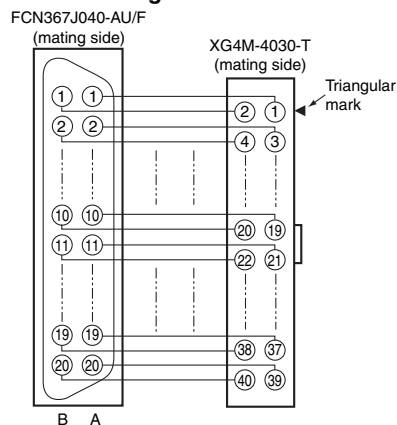
### For 32-point, Connector-type I/O Units (Group 2) for Programmable Controllers For 64-point, Connector-type I/O Units for Programmable Controllers

**XW2Z-□□□B** (For XW2D-40G6/XW2B-40G□)

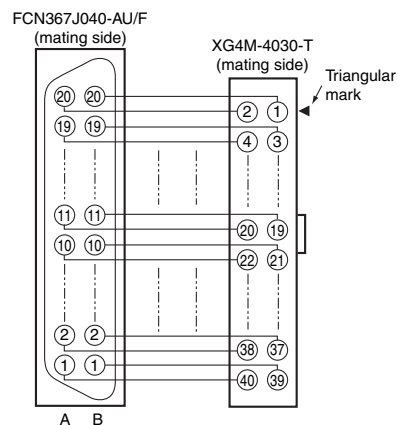


**Wiring Diagram**

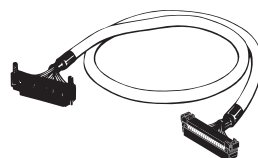
• Normal wiring



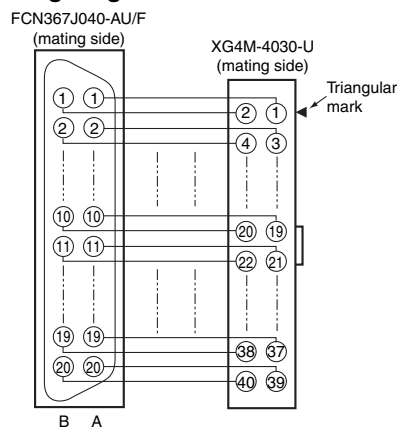
• Reverse wiring



**XW2Z-□□□BU** (For XW2D-40C6)

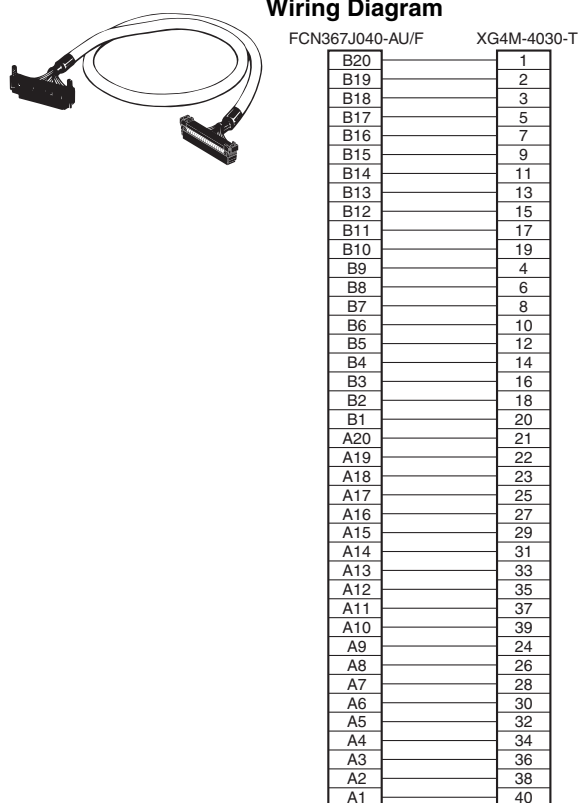


**Wiring Diagram**



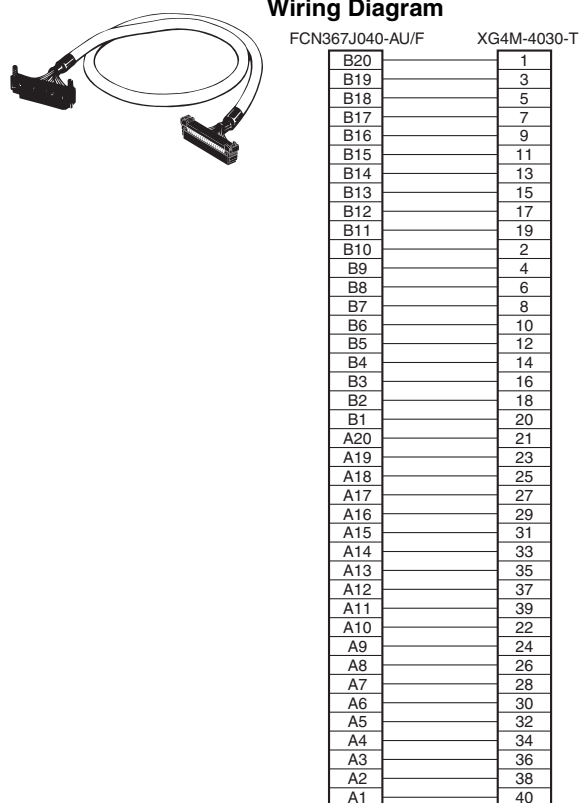
XW2Z-□□□B-A (For XW2F-40G7-IN32)

Wiring Diagram



XW2Z-□□□B-B (For XW2F-40G7-OUT32)

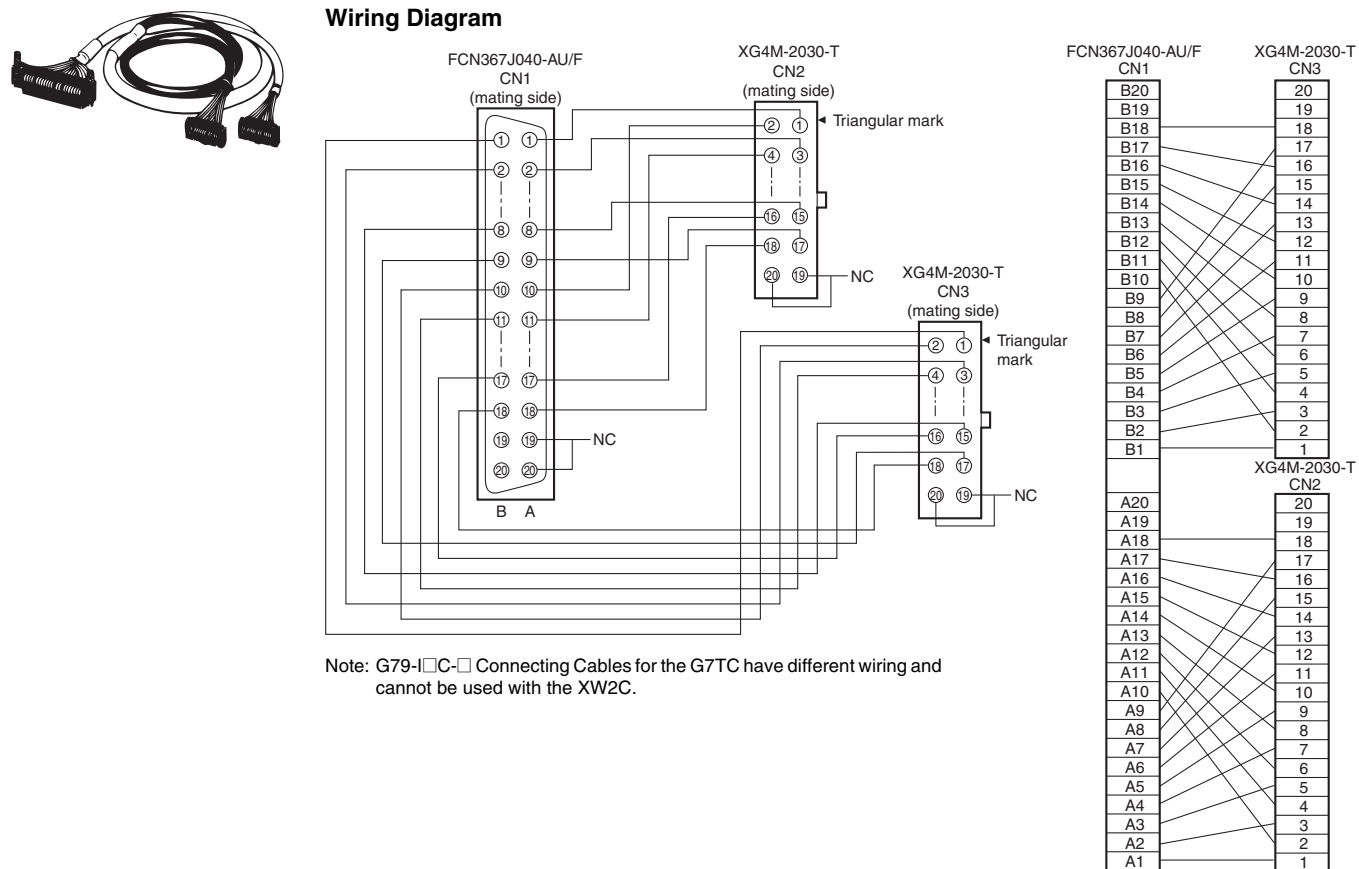
Wiring Diagram



For 32-point, Connector-type Input Units (Group 2) for Programmable Controllers  
For 64-point, Connector-type Input Units for Programmable Controllers

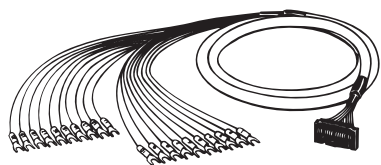
XW2Z-□□□D

Wiring Diagram

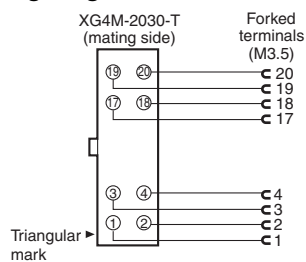


**20-pole Cable with Discrete-wire Press-fit Terminals**

XW2Z-□□□F



**Wiring Diagram**

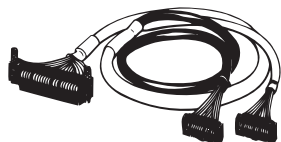


**Connector Pin No. Table**

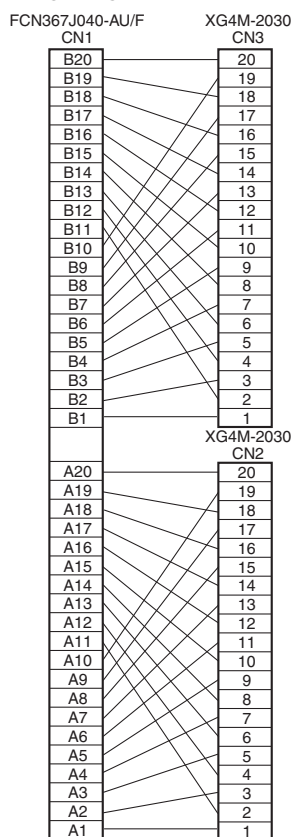
Forked terminal	No. of cores	Insulation color	Dot marks	Dot color	Connector pin No.
1	1	Blue	□	Red	1◁
2		Blue	□	Black	2
3	2	Pink	□	Red	3
4		Pink	□	Black	4
5	3	Green	□	Red	5
6		Green	□	Black	6
7	4	Orange	□	Red	7
8		Orange	□	Black	8
9	5	Gray	□	Red	9
10		Gray	□	Black	10
11	6	Blue	□□	Red	11
12		Blue	□□	Black	12
13	7	Pink	□□	Red	13
14		Pink	□□	Black	14
15	8	Green	□□	Red	15
16		Green	□□	Black	16
17	9	Orange	□□	Red	17
18		Orange	□□	Black	18
19	10	Gray	□□	Red	19
20		Gray	□□	Black	20

**For 32-point, Connector-type Output Units (Group 2) for Programmable Controllers  
For 64-point, Connector-type Output Units for Programmable Controllers**

XW2Z-□□□L



**Wiring Diagram**





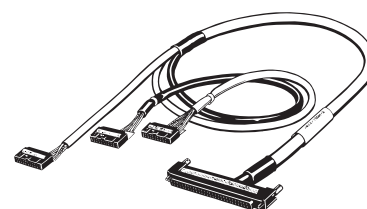
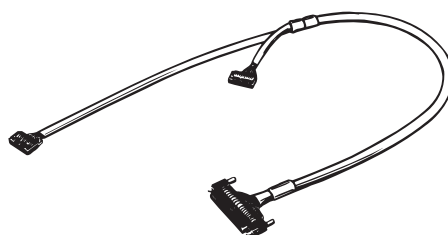
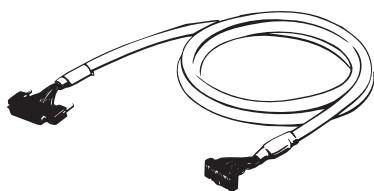
## For 96-point, Connector-type I/O Units for Programmable Controllers

### XW2Z-□□□H (For CS1-series I/O Unit Connection)

XW2Z-□□□H-1

XW2Z-□□□H-2

XW2Z-□□□H-3



### I/O Signal Tables (Example Using CN1 on CS1W-OD291)

#### XW2Z-□□□H-□ Connecting Cables

XW2Z-□□□H-3	XW2□-20G□																																																																																																																									
	<p>Word N (CN2)</p> <table border="1"> <tr><td>0</td><td>1</td><td>2</td><td>3</td><td>4</td><td>5</td><td>6</td><td>7</td><td>COM</td><td>NC</td></tr> <tr><td>①</td><td>③</td><td>⑤</td><td>⑦</td><td>⑨</td><td>⑪</td><td>⑬</td><td>⑮</td><td>⑰</td><td>⑲</td></tr> <tr><td>②</td><td>④</td><td>⑥</td><td>⑧</td><td>⑩</td><td>⑫</td><td>⑭</td><td>⑯</td><td>⑱</td><td>⑳</td></tr> <tr><td>8</td><td>9</td><td>10</td><td>11</td><td>12</td><td>13</td><td>14</td><td>15</td><td>+V</td><td>NC</td></tr> </table>	0	1	2	3	4	5	6	7	COM	NC	①	③	⑤	⑦	⑨	⑪	⑬	⑮	⑰	⑲	②	④	⑥	⑧	⑩	⑫	⑭	⑯	⑱	⑳	8	9	10	11	12	13	14	15	+V	NC	<p>Word N+1 (CN3)</p> <table border="1"> <tr><td>0</td><td>1</td><td>2</td><td>3</td><td>4</td><td>5</td><td>6</td><td>7</td><td>COM</td><td>NC</td></tr> <tr><td>①</td><td>③</td><td>⑤</td><td>⑦</td><td>⑨</td><td>⑪</td><td>⑬</td><td>⑮</td><td>⑰</td><td>⑲</td></tr> <tr><td>②</td><td>④</td><td>⑥</td><td>⑧</td><td>⑩</td><td>⑫</td><td>⑭</td><td>⑯</td><td>⑱</td><td>⑳</td></tr> <tr><td>8</td><td>9</td><td>10</td><td>11</td><td>12</td><td>13</td><td>14</td><td>15</td><td>+V</td><td>NC</td></tr> </table>	0	1	2	3	4	5	6	7	COM	NC	①	③	⑤	⑦	⑨	⑪	⑬	⑮	⑰	⑲	②	④	⑥	⑧	⑩	⑫	⑭	⑯	⑱	⑳	8	9	10	11	12	13	14	15	+V	NC	<p>Word N+2 (CN4)</p> <table border="1"> <tr><td>0</td><td>1</td><td>2</td><td>3</td><td>4</td><td>5</td><td>6</td><td>7</td><td>COM</td><td>NC</td></tr> <tr><td>①</td><td>③</td><td>⑤</td><td>⑦</td><td>⑨</td><td>⑪</td><td>⑬</td><td>⑮</td><td>⑰</td><td>⑲</td></tr> <tr><td>②</td><td>④</td><td>⑥</td><td>⑧</td><td>⑩</td><td>⑫</td><td>⑭</td><td>⑯</td><td>⑱</td><td>⑳</td></tr> <tr><td>8</td><td>9</td><td>10</td><td>11</td><td>12</td><td>13</td><td>14</td><td>15</td><td>+V</td><td>NC</td></tr> </table>	0	1	2	3	4	5	6	7	COM	NC	①	③	⑤	⑦	⑨	⑪	⑬	⑮	⑰	⑲	②	④	⑥	⑧	⑩	⑫	⑭	⑯	⑱	⑳	8	9	10	11	12	13	14	15	+V
0	1	2	3	4	5	6	7	COM	NC																																																																																																																	
①	③	⑤	⑦	⑨	⑪	⑬	⑮	⑰	⑲																																																																																																																	
②	④	⑥	⑧	⑩	⑫	⑭	⑯	⑱	⑳																																																																																																																	
8	9	10	11	12	13	14	15	+V	NC																																																																																																																	
0	1	2	3	4	5	6	7	COM	NC																																																																																																																	
①	③	⑤	⑦	⑨	⑪	⑬	⑮	⑰	⑲																																																																																																																	
②	④	⑥	⑧	⑩	⑫	⑭	⑯	⑱	⑳																																																																																																																	
8	9	10	11	12	13	14	15	+V	NC																																																																																																																	
0	1	2	3	4	5	6	7	COM	NC																																																																																																																	
①	③	⑤	⑦	⑨	⑪	⑬	⑮	⑰	⑲																																																																																																																	
②	④	⑥	⑧	⑩	⑫	⑭	⑯	⑱	⑳																																																																																																																	
8	9	10	11	12	13	14	15	+V	NC																																																																																																																	
XW2Z-□□□H-2	XW2□-40G□	XW2□-20G□																																																																																																																								
	<p>Word N (CN2)</p> <table border="1"> <tr><td>0</td><td>1</td><td>2</td><td>3</td><td>4</td><td>5</td><td>6</td><td>7</td><td>COM</td><td>NC</td></tr> <tr><td>①</td><td>③</td><td>⑤</td><td>⑦</td><td>⑨</td><td>⑪</td><td>⑬</td><td>⑮</td><td>⑰</td><td>⑲</td></tr> <tr><td>②</td><td>④</td><td>⑥</td><td>⑧</td><td>⑩</td><td>⑫</td><td>⑭</td><td>⑯</td><td>⑱</td><td>⑳</td></tr> <tr><td>8</td><td>9</td><td>10</td><td>11</td><td>12</td><td>13</td><td>14</td><td>15</td><td>+V</td><td>NC</td></tr> </table>	0	1	2	3	4	5	6	7	COM	NC	①	③	⑤	⑦	⑨	⑪	⑬	⑮	⑰	⑲	②	④	⑥	⑧	⑩	⑫	⑭	⑯	⑱	⑳	8	9	10	11	12	13	14	15	+V	NC	<p>Word N+1 (CN2)</p> <table border="1"> <tr><td>0</td><td>1</td><td>2</td><td>3</td><td>4</td><td>5</td><td>6</td><td>7</td><td>COM</td><td>NC</td></tr> <tr><td>①</td><td>③</td><td>⑤</td><td>⑦</td><td>⑨</td><td>⑪</td><td>⑬</td><td>⑮</td><td>⑰</td><td>⑲</td></tr> <tr><td>②</td><td>④</td><td>⑥</td><td>⑧</td><td>⑩</td><td>⑫</td><td>⑭</td><td>⑯</td><td>⑱</td><td>⑳</td></tr> <tr><td>8</td><td>9</td><td>10</td><td>11</td><td>12</td><td>13</td><td>14</td><td>15</td><td>+V</td><td>NC</td></tr> </table>	0	1	2	3	4	5	6	7	COM	NC	①	③	⑤	⑦	⑨	⑪	⑬	⑮	⑰	⑲	②	④	⑥	⑧	⑩	⑫	⑭	⑯	⑱	⑳	8	9	10	11	12	13	14	15	+V	NC	<p>Word N+2 (CN3)</p> <table border="1"> <tr><td>0</td><td>1</td><td>2</td><td>3</td><td>4</td><td>5</td><td>6</td><td>7</td><td>COM</td><td>NC</td></tr> <tr><td>①</td><td>③</td><td>⑤</td><td>⑦</td><td>⑨</td><td>⑪</td><td>⑬</td><td>⑮</td><td>⑰</td><td>⑲</td></tr> <tr><td>②</td><td>④</td><td>⑥</td><td>⑧</td><td>⑩</td><td>⑫</td><td>⑭</td><td>⑯</td><td>⑱</td><td>⑳</td></tr> <tr><td>8</td><td>9</td><td>10</td><td>11</td><td>12</td><td>13</td><td>14</td><td>15</td><td>+V</td><td>NC</td></tr> </table>	0	1	2	3	4	5	6	7	COM	NC	①	③	⑤	⑦	⑨	⑪	⑬	⑮	⑰	⑲	②	④	⑥	⑧	⑩	⑫	⑭	⑯	⑱	⑳	8	9	10	11	12	13	14	15	+V
0	1	2	3	4	5	6	7	COM	NC																																																																																																																	
①	③	⑤	⑦	⑨	⑪	⑬	⑮	⑰	⑲																																																																																																																	
②	④	⑥	⑧	⑩	⑫	⑭	⑯	⑱	⑳																																																																																																																	
8	9	10	11	12	13	14	15	+V	NC																																																																																																																	
0	1	2	3	4	5	6	7	COM	NC																																																																																																																	
①	③	⑤	⑦	⑨	⑪	⑬	⑮	⑰	⑲																																																																																																																	
②	④	⑥	⑧	⑩	⑫	⑭	⑯	⑱	⑳																																																																																																																	
8	9	10	11	12	13	14	15	+V	NC																																																																																																																	
0	1	2	3	4	5	6	7	COM	NC																																																																																																																	
①	③	⑤	⑦	⑨	⑪	⑬	⑮	⑰	⑲																																																																																																																	
②	④	⑥	⑧	⑩	⑫	⑭	⑯	⑱	⑳																																																																																																																	
8	9	10	11	12	13	14	15	+V	NC																																																																																																																	
XW2Z-□□□H-1	XW2B-60G□																																																																																																																									
	<p>Word N (CN2)</p> <table border="1"> <tr><td>0</td><td>1</td><td>2</td><td>3</td><td>4</td><td>5</td><td>6</td><td>7</td><td>COM</td><td>0</td></tr> <tr><td>①</td><td>③</td><td>⑤</td><td>⑦</td><td>⑨</td><td>⑪</td><td>⑬</td><td>⑮</td><td>⑰</td><td>⑲</td></tr> <tr><td>②</td><td>④</td><td>⑥</td><td>⑧</td><td>⑩</td><td>⑫</td><td>⑭</td><td>⑯</td><td>⑱</td><td>⑳</td></tr> <tr><td>8</td><td>9</td><td>10</td><td>11</td><td>12</td><td>13</td><td>14</td><td>15</td><td>+V</td><td>8</td></tr> </table>	0	1	2	3	4	5	6	7	COM	0	①	③	⑤	⑦	⑨	⑪	⑬	⑮	⑰	⑲	②	④	⑥	⑧	⑩	⑫	⑭	⑯	⑱	⑳	8	9	10	11	12	13	14	15	+V	8	<p>Word N+1 (CN2)</p> <table border="1"> <tr><td>0</td><td>1</td><td>2</td><td>3</td><td>4</td><td>5</td><td>6</td><td>7</td><td>COM</td><td>0</td></tr> <tr><td>①</td><td>③</td><td>⑤</td><td>⑦</td><td>⑨</td><td>⑪</td><td>⑬</td><td>⑮</td><td>⑰</td><td>⑲</td></tr> <tr><td>②</td><td>④</td><td>⑥</td><td>⑧</td><td>⑩</td><td>⑫</td><td>⑭</td><td>⑯</td><td>⑱</td><td>⑳</td></tr> <tr><td>8</td><td>9</td><td>10</td><td>11</td><td>12</td><td>13</td><td>14</td><td>15</td><td>+V</td><td>8</td></tr> </table>	0	1	2	3	4	5	6	7	COM	0	①	③	⑤	⑦	⑨	⑪	⑬	⑮	⑰	⑲	②	④	⑥	⑧	⑩	⑫	⑭	⑯	⑱	⑳	8	9	10	11	12	13	14	15	+V	8	<p>Word N+2 (CN2)</p> <table border="1"> <tr><td>0</td><td>1</td><td>2</td><td>3</td><td>4</td><td>5</td><td>6</td><td>7</td><td>COM</td><td>NC</td></tr> <tr><td>①</td><td>③</td><td>⑤</td><td>⑦</td><td>⑨</td><td>⑪</td><td>⑬</td><td>⑮</td><td>⑰</td><td>⑲</td></tr> <tr><td>②</td><td>④</td><td>⑥</td><td>⑧</td><td>⑩</td><td>⑫</td><td>⑭</td><td>⑯</td><td>⑱</td><td>⑳</td></tr> <tr><td>8</td><td>9</td><td>10</td><td>11</td><td>12</td><td>13</td><td>14</td><td>15</td><td>+V</td><td>NC</td></tr> </table>	0	1	2	3	4	5	6	7	COM	NC	①	③	⑤	⑦	⑨	⑪	⑬	⑮	⑰	⑲	②	④	⑥	⑧	⑩	⑫	⑭	⑯	⑱	⑳	8	9	10	11	12	13	14	15	+V
0	1	2	3	4	5	6	7	COM	0																																																																																																																	
①	③	⑤	⑦	⑨	⑪	⑬	⑮	⑰	⑲																																																																																																																	
②	④	⑥	⑧	⑩	⑫	⑭	⑯	⑱	⑳																																																																																																																	
8	9	10	11	12	13	14	15	+V	8																																																																																																																	
0	1	2	3	4	5	6	7	COM	0																																																																																																																	
①	③	⑤	⑦	⑨	⑪	⑬	⑮	⑰	⑲																																																																																																																	
②	④	⑥	⑧	⑩	⑫	⑭	⑯	⑱	⑳																																																																																																																	
8	9	10	11	12	13	14	15	+V	8																																																																																																																	
0	1	2	3	4	5	6	7	COM	NC																																																																																																																	
①	③	⑤	⑦	⑨	⑪	⑬	⑮	⑰	⑲																																																																																																																	
②	④	⑥	⑧	⑩	⑫	⑭	⑯	⑱	⑳																																																																																																																	
8	9	10	11	12	13	14	15	+V	NC																																																																																																																	

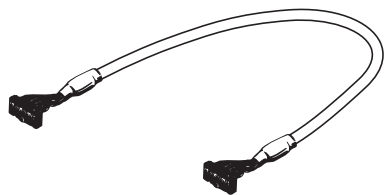
#### XW2Z-□□□H-□G/G79-□□□C-□□□-□□□ Connecting Cables

G79-□□□C-□□□□□□	XW2□-20G□																																																																																																																									
	<p>Word N (CN2)</p> <table border="1"> <tr><td>+V</td><td>NC</td><td>15</td><td>14</td><td>13</td><td>12</td><td>11</td><td>10</td><td>9</td><td>8</td></tr> <tr><td>①</td><td>③</td><td>⑤</td><td>⑦</td><td>⑨</td><td>⑪</td><td>⑬</td><td>⑮</td><td>⑰</td><td>⑲</td></tr> <tr><td>②</td><td>④</td><td>⑥</td><td>⑧</td><td>⑩</td><td>⑫</td><td>⑭</td><td>⑯</td><td>⑱</td><td>⑳</td></tr> <tr><td>NC</td><td>COM</td><td>7</td><td>6</td><td>5</td><td>4</td><td>3</td><td>2</td><td>1</td><td>0</td></tr> </table>	+V	NC	15	14	13	12	11	10	9	8	①	③	⑤	⑦	⑨	⑪	⑬	⑮	⑰	⑲	②	④	⑥	⑧	⑩	⑫	⑭	⑯	⑱	⑳	NC	COM	7	6	5	4	3	2	1	0	<p>Word N+1 (CN3)</p> <table border="1"> <tr><td>+V</td><td>NC</td><td>15</td><td>14</td><td>13</td><td>12</td><td>11</td><td>10</td><td>9</td><td>8</td></tr> <tr><td>①</td><td>③</td><td>⑤</td><td>⑦</td><td>⑨</td><td>⑪</td><td>⑬</td><td>⑮</td><td>⑰</td><td>⑲</td></tr> <tr><td>②</td><td>④</td><td>⑥</td><td>⑧</td><td>⑩</td><td>⑫</td><td>⑭</td><td>⑯</td><td>⑱</td><td>⑳</td></tr> <tr><td>NC</td><td>COM</td><td>7</td><td>6</td><td>5</td><td>4</td><td>3</td><td>2</td><td>1</td><td>0</td></tr> </table>	+V	NC	15	14	13	12	11	10	9	8	①	③	⑤	⑦	⑨	⑪	⑬	⑮	⑰	⑲	②	④	⑥	⑧	⑩	⑫	⑭	⑯	⑱	⑳	NC	COM	7	6	5	4	3	2	1	0	<p>Word N+2 (CN4)</p> <table border="1"> <tr><td>+V</td><td>NC</td><td>15</td><td>14</td><td>13</td><td>12</td><td>11</td><td>10</td><td>9</td><td>8</td></tr> <tr><td>①</td><td>③</td><td>⑤</td><td>⑦</td><td>⑨</td><td>⑪</td><td>⑬</td><td>⑮</td><td>⑰</td><td>⑲</td></tr> <tr><td>②</td><td>④</td><td>⑥</td><td>⑧</td><td>⑩</td><td>⑫</td><td>⑭</td><td>⑯</td><td>⑱</td><td>⑳</td></tr> <tr><td>NC</td><td>COM</td><td>7</td><td>6</td><td>5</td><td>4</td><td>3</td><td>2</td><td>1</td><td>0</td></tr> </table>	+V	NC	15	14	13	12	11	10	9	8	①	③	⑤	⑦	⑨	⑪	⑬	⑮	⑰	⑲	②	④	⑥	⑧	⑩	⑫	⑭	⑯	⑱	⑳	NC	COM	7	6	5	4	3	2	1
+V	NC	15	14	13	12	11	10	9	8																																																																																																																	
①	③	⑤	⑦	⑨	⑪	⑬	⑮	⑰	⑲																																																																																																																	
②	④	⑥	⑧	⑩	⑫	⑭	⑯	⑱	⑳																																																																																																																	
NC	COM	7	6	5	4	3	2	1	0																																																																																																																	
+V	NC	15	14	13	12	11	10	9	8																																																																																																																	
①	③	⑤	⑦	⑨	⑪	⑬	⑮	⑰	⑲																																																																																																																	
②	④	⑥	⑧	⑩	⑫	⑭	⑯	⑱	⑳																																																																																																																	
NC	COM	7	6	5	4	3	2	1	0																																																																																																																	
+V	NC	15	14	13	12	11	10	9	8																																																																																																																	
①	③	⑤	⑦	⑨	⑪	⑬	⑮	⑰	⑲																																																																																																																	
②	④	⑥	⑧	⑩	⑫	⑭	⑯	⑱	⑳																																																																																																																	
NC	COM	7	6	5	4	3	2	1	0																																																																																																																	
XW2Z-□□□H-2G	XW2□-40G□	XW2□-20G□																																																																																																																								
	<p>Word N (CN2)</p> <table border="1"> <tr><td>+V</td><td>NC</td><td>15</td><td>14</td><td>13</td><td>12</td><td>11</td><td>10</td><td>9</td><td>8</td></tr> <tr><td>①</td><td>③</td><td>⑤</td><td>⑦</td><td>⑨</td><td>⑪</td><td>⑬</td><td>⑮</td><td>⑰</td><td>⑲</td></tr> <tr><td>②</td><td>④</td><td>⑥</td><td>⑧</td><td>⑩</td><td>⑫</td><td>⑭</td><td>⑯</td><td>⑱</td><td>⑳</td></tr> <tr><td>NC</td><td>COM</td><td>7</td><td>6</td><td>5</td><td>4</td><td>3</td><td>2</td><td>1</td><td>0</td></tr> </table>	+V	NC	15	14	13	12	11	10	9	8	①	③	⑤	⑦	⑨	⑪	⑬	⑮	⑰	⑲	②	④	⑥	⑧	⑩	⑫	⑭	⑯	⑱	⑳	NC	COM	7	6	5	4	3	2	1	0	<p>Word N+1 (CN2)</p> <table border="1"> <tr><td>+V</td><td>NC</td><td>15</td><td>14</td><td>13</td><td>12</td><td>11</td><td>10</td><td>9</td><td>8</td></tr> <tr><td>①</td><td>③</td><td>⑤</td><td>⑦</td><td>⑨</td><td>⑪</td><td>⑬</td><td>⑮</td><td>⑰</td><td>⑲</td></tr> <tr><td>②</td><td>④</td><td>⑥</td><td>⑧</td><td>⑩</td><td>⑫</td><td>⑭</td><td>⑯</td><td>⑱</td><td>⑳</td></tr> <tr><td>NC</td><td>COM</td><td>7</td><td>6</td><td>5</td><td>4</td><td>3</td><td>2</td><td>1</td><td>0</td></tr> </table>	+V	NC	15	14	13	12	11	10	9	8	①	③	⑤	⑦	⑨	⑪	⑬	⑮	⑰	⑲	②	④	⑥	⑧	⑩	⑫	⑭	⑯	⑱	⑳	NC	COM	7	6	5	4	3	2	1	0	<p>Word N+2 (CN3)</p> <table border="1"> <tr><td>+V</td><td>NC</td><td>15</td><td>14</td><td>13</td><td>12</td><td>11</td><td>10</td><td>9</td><td>8</td></tr> <tr><td>①</td><td>③</td><td>⑤</td><td>⑦</td><td>⑨</td><td>⑪</td><td>⑬</td><td>⑮</td><td>⑰</td><td>⑲</td></tr> <tr><td>②</td><td>④</td><td>⑥</td><td>⑧</td><td>⑩</td><td>⑫</td><td>⑭</td><td>⑯</td><td>⑱</td><td>⑳</td></tr> <tr><td>NC</td><td>COM</td><td>7</td><td>6</td><td>5</td><td>4</td><td>3</td><td>2</td><td>1</td><td>0</td></tr> </table>	+V	NC	15	14	13	12	11	10	9	8	①	③	⑤	⑦	⑨	⑪	⑬	⑮	⑰	⑲	②	④	⑥	⑧	⑩	⑫	⑭	⑯	⑱	⑳	NC	COM	7	6	5	4	3	2	1
+V	NC	15	14	13	12	11	10	9	8																																																																																																																	
①	③	⑤	⑦	⑨	⑪	⑬	⑮	⑰	⑲																																																																																																																	
②	④	⑥	⑧	⑩	⑫	⑭	⑯	⑱	⑳																																																																																																																	
NC	COM	7	6	5	4	3	2	1	0																																																																																																																	
+V	NC	15	14	13	12	11	10	9	8																																																																																																																	
①	③	⑤	⑦	⑨	⑪	⑬	⑮	⑰	⑲																																																																																																																	
②	④	⑥	⑧	⑩	⑫	⑭	⑯	⑱	⑳																																																																																																																	
NC	COM	7	6	5	4	3	2	1	0																																																																																																																	
+V	NC	15	14	13	12	11	10	9	8																																																																																																																	
①	③	⑤	⑦	⑨	⑪	⑬	⑮	⑰	⑲																																																																																																																	
②	④	⑥	⑧	⑩	⑫	⑭	⑯	⑱	⑳																																																																																																																	
NC	COM	7	6	5	4	3	2	1	0																																																																																																																	
XW2Z-□□□H-1G	XW2B-60G□																																																																																																																									
	<p>Word N (CN2)</p> <table border="1"> <tr><td>+V</td><td>NC</td><td>15</td><td>14</td><td>13</td><td>12</td><td>11</td><td>10</td><td>9</td><td>8</td></tr> <tr><td>①</td><td>③</td><td>⑤</td><td>⑦</td><td>⑨</td><td>⑪</td><td>⑬</td><td>⑮</td><td>⑰</td><td>⑲</td></tr> <tr><td>②</td><td>④</td><td>⑥</td><td>⑧</td><td>⑩</td><td>⑫</td><td>⑭</td><td>⑯</td><td>⑱</td><td>⑳</td></tr> <tr><td>NC</td><td>COM</td><td>7</td><td>6</td><td>5</td><td>4</td><td>3</td><td>2</td><td>1</td><td>0</td></tr> </table>	+V	NC	15	14	13	12	11	10	9	8	①	③	⑤	⑦	⑨	⑪	⑬	⑮	⑰	⑲	②	④	⑥	⑧	⑩	⑫	⑭	⑯	⑱	⑳	NC	COM	7	6	5	4	3	2	1	0	<p>Word N+1 (CN2)</p> <table border="1"> <tr><td>+V</td><td>NC</td><td>15</td><td>14</td><td>13</td><td>12</td><td>11</td><td>10</td><td>9</td><td>8</td></tr> <tr><td>①</td><td>③</td><td>⑤</td><td>⑦</td><td>⑨</td><td>⑪</td><td>⑬</td><td>⑮</td><td>⑰</td><td>⑲</td></tr> <tr><td>②</td><td>④</td><td>⑥</td><td>⑧</td><td>⑩</td><td>⑫</td><td>⑭</td><td>⑯</td><td>⑱</td><td>⑳</td></tr> <tr><td>NC</td><td>COM</td><td>7</td><td>6</td><td>5</td><td>4</td><td>3</td><td>2</td><td>1</td><td>0</td></tr> </table>	+V	NC	15	14	13	12	11	10	9	8	①	③	⑤	⑦	⑨	⑪	⑬	⑮	⑰	⑲	②	④	⑥	⑧	⑩	⑫	⑭	⑯	⑱	⑳	NC	COM	7	6	5	4	3	2	1	0	<p>Word N+2 (CN2)</p> <table border="1"> <tr><td>+V</td><td>NC</td><td>15</td><td>14</td><td>13</td><td>12</td><td>11</td><td>10</td><td>9</td><td>8</td></tr> <tr><td>①</td><td>③</td><td>⑤</td><td>⑦</td><td>⑨</td><td>⑪</td><td>⑬</td><td>⑮</td><td>⑰</td><td>⑲</td></tr> <tr><td>②</td><td>④</td><td>⑥</td><td>⑧</td><td>⑩</td><td>⑫</td><td>⑭</td><td>⑯</td><td>⑱</td><td>⑳</td></tr> <tr><td>NC</td><td>COM</td><td>7</td><td>6</td><td>5</td><td>4</td><td>3</td><td>2</td><td>1</td><td>0</td></tr> </table>	+V	NC	15	14	13	12	11	10	9	8	①	③	⑤	⑦	⑨	⑪	⑬	⑮	⑰	⑲	②	④	⑥	⑧	⑩	⑫	⑭	⑯	⑱	⑳	NC	COM	7	6	5	4	3	2	1
+V	NC	15	14	13	12	11	10	9	8																																																																																																																	
①	③	⑤	⑦	⑨	⑪	⑬	⑮	⑰	⑲																																																																																																																	
②	④	⑥	⑧	⑩	⑫	⑭	⑯	⑱	⑳																																																																																																																	
NC	COM	7	6	5	4	3	2	1	0																																																																																																																	
+V	NC	15	14	13	12	11	10	9	8																																																																																																																	
①	③	⑤	⑦	⑨	⑪	⑬	⑮	⑰	⑲																																																																																																																	
②	④	⑥	⑧	⑩	⑫	⑭	⑯	⑱	⑳																																																																																																																	
NC	COM	7	6	5	4	3	2	1	0																																																																																																																	
+V	NC	15	14	13	12	11	10	9	8																																																																																																																	
①	③	⑤	⑦	⑨	⑪	⑬	⑮	⑰	⑲																																																																																																																	
②	④	⑥	⑧	⑩	⑫	⑭	⑯	⑱	⑳																																																																																																																	
NC	COM	7	6	5	4	3	2	1	0																																																																																																																	

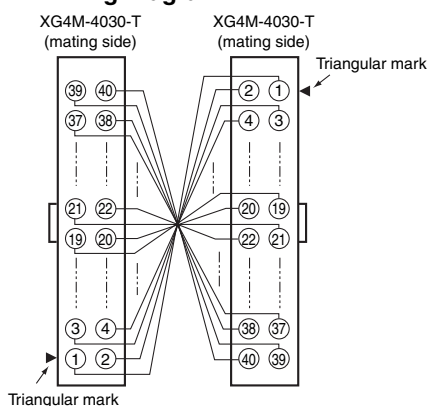
Note: The XW2Z-□□□H-□G I/O signal arrangement is oriented the same as the Connector Cable for the G79 I/O Relay Terminal.

For 32-point, MIL Connector-type I/O Units for Programmable Controllers

XW2Z-□□□K



Wiring Diagram

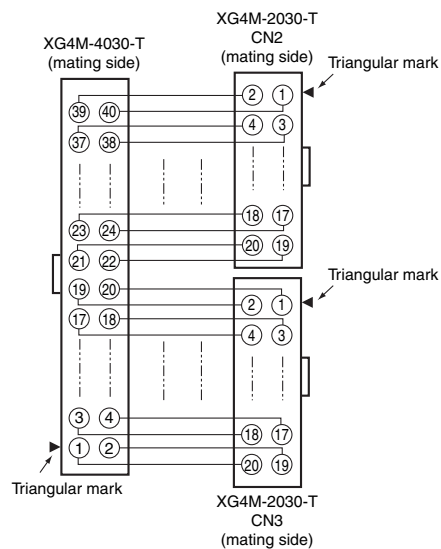


Note: Connector pins are connected 1-to-1 so that pin numbers correspond.

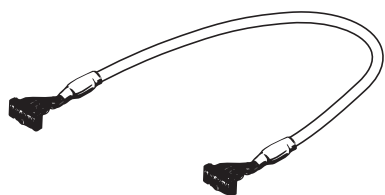
XW2Z-□□□N



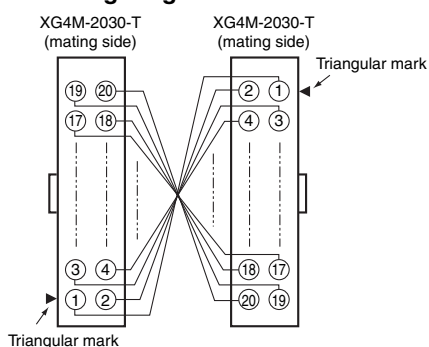
Wiring Diagram



XW2Z-□□□X



Wiring Diagram



Note: Connector pins are connected 1-to-1 so that pin numbers correspond.

## Read and Understand This Catalog

Please read and understand this catalog before purchasing the products. Please consult your OMRON representative if you have any questions or comments.

## Warranty and Limitations of Liability

### WARRANTY

OMRON's exclusive warranty is that the products are free from defects in materials and workmanship for a period of one year (or other period if specified) from date of sale by OMRON.

OMRON MAKES NO WARRANTY OR REPRESENTATION, EXPRESS OR IMPLIED, REGARDING NON-INFRINGEMENT, MERCHANTABILITY, OR FITNESS FOR PARTICULAR PURPOSE OF THE PRODUCTS. ANY BUYER OR USER ACKNOWLEDGES THAT THE BUYER OR USER ALONE HAS DETERMINED THAT THE PRODUCTS WILL SUITABLY MEET THE REQUIREMENTS OF THEIR INTENDED USE. OMRON DISCLAIMS ALL OTHER WARRANTIES, EXPRESS OR IMPLIED.

### LIMITATIONS OF LIABILITY

OMRON SHALL NOT BE RESPONSIBLE FOR SPECIAL, INDIRECT, OR CONSEQUENTIAL DAMAGES, LOSS OF PROFITS OR COMMERCIAL LOSS IN ANY WAY CONNECTED WITH THE PRODUCTS, WHETHER SUCH CLAIM IS BASED ON CONTRACT, WARRANTY, NEGLIGENCE, OR STRICT LIABILITY.

In no event shall the responsibility of OMRON for any act exceed the individual price of the product on which liability is asserted.

IN NO EVENT SHALL OMRON BE RESPONSIBLE FOR WARRANTY, REPAIR, OR OTHER CLAIMS REGARDING THE PRODUCTS UNLESS OMRON'S ANALYSIS CONFIRMS THAT THE PRODUCTS WERE PROPERLY HANDLED, STORED, INSTALLED, AND MAINTAINED AND NOT SUBJECT TO CONTAMINATION, ABUSE, MISUSE, OR INAPPROPRIATE MODIFICATION OR REPAIR.

## Application Considerations

### SUITABILITY FOR USE

OMRON shall not be responsible for conformity with any standards, codes, or regulations that apply to the combination of products in the customer's application or use of the products.

At the customer's request, OMRON will provide applicable third party certification documents identifying ratings and limitations of use that apply to the products. This information by itself is not sufficient for a complete determination of the suitability of the products in combination with the end product, machine, system, or other application or use.

The following are some examples of applications for which particular attention must be given. This is not intended to be an exhaustive list of all possible uses of the products, nor is it intended to imply that the uses listed may be suitable for the products:

- Outdoor use, uses involving potential chemical contamination or electrical interference, or conditions or uses not described in this catalog.
- Nuclear energy control systems, combustion systems, railroad systems, aviation systems, medical equipment, amusement machines, vehicles, safety equipment, and installations subject to separate industry or government regulations.
- Systems, machines, and equipment that could present a risk to life or property.

Please know and observe all prohibitions of use applicable to the products.

NEVER USE THE PRODUCTS FOR AN APPLICATION INVOLVING SERIOUS RISK TO LIFE OR PROPERTY WITHOUT ENSURING THAT THE SYSTEM AS A WHOLE HAS BEEN DESIGNED TO ADDRESS THE RISKS, AND THAT THE OMRON PRODUCTS ARE PROPERLY RATED AND INSTALLED FOR THE INTENDED USE WITHIN THE OVERALL EQUIPMENT OR SYSTEM.

### PROGRAMMABLE PRODUCTS

OMRON shall not be responsible for the user's programming of a programmable product, or any consequence thereof.

## Disclaimers

### CHANGE IN SPECIFICATIONS

Product specifications and accessories may be changed at any time based on improvements and other reasons.

It is our practice to change model numbers when published ratings or features are changed, or when significant construction changes are made. However, some specifications of the products may be changed without any notice. When in doubt, special model numbers may be assigned to fix or establish key specifications for your application on your request. Please consult with your OMRON representative at any time to confirm actual specifications of purchased products.

### DIMENSIONS AND WEIGHTS

Dimensions and weights are nominal and are not to be used for manufacturing purposes, even when tolerances are shown.

### PERFORMANCE DATA

Performance data given in this catalog is provided as a guide for the user in determining suitability and does not constitute a warranty. It may represent the result of OMRON's test conditions, and the users must correlate it to actual application requirements. Actual performance is subject to the OMRON Warranty and Limitations of Liability.

### ERRORS AND OMISSIONS

The information in this document has been carefully checked and is believed to be accurate; however, no responsibility is assumed for clerical, typographical, or proofreading errors, or omissions.

2012.11

In the interest of product improvement, specifications are subject to change without notice.

**OMRON Corporation**  
Industrial Automation Company

<http://www.ia.omron.com/>

(c)Copyright OMRON Corporation 2012 All Right Reserved.

# Mouser Electronics

Authorized Distributor

Click to View Pricing, Inventory, Delivery & Lifecycle Information:

[Omron:](#)

[XW2Z-150L](#) [XW2Z-C50X](#) [XW2Z-100X](#) [XW2Z-300L](#) [XW2Z-150H-2](#) [XW2Z-010X](#) [XW2Z-100L](#) [XW2Z-100N](#) [XW2Z-300X](#) [XW2Z-150H-3](#) [XW2Z-500X](#) [XW2Z-150H-1](#) [XW2Z-200L](#) [XW2Z-200N](#) [XW2Z-C50K](#) [XW2Z-010D](#) [XW2Z-15MD](#)