

Product datasheet

Specifications



Rotating beacon, 120 mm, blue, with buzzer 50...90 dB, 12 V AC DC

XVR12J06S

⚠ Discontinued on: 1 Nov 2020

⚠ Discontinued

Main

Range Of Product	Harmony XVR
Product Or Component Type	Prewired rotating mirror beacon
Sound Signalling	Buzzer
Device Short Name	XVR
Mounting Diamete	120 mm
Ip Degree Of Protection	IP23 conforming to IEC 60529
[Us] Rated Supply Voltage	12 V AC/DC
Light Source	High luminosity LED, blue
Noise Level	50...90 dB (continuous or intermittent tone) at 1 m

Complementary

Material	ABS (acrylonitrile butadiene-styrene): body part AS: globe
Cad Overall Width	120 mm
Cad Overall Depth	120 mm
Net Weight	0.5 kg
Marking	CE
Product Mounting	By 3 M5 screws
Supply Voltage Limits	10...15 V DC 10.8...13.2 V AC
[Uimp] Rated Impulse Withstand Voltage	0.8 kV
Current Consumption	333 mA
Flashing Frequency	2.3 Hz
Clamping Connection Capacity	0.83 mm ²
Awg Gauge	AWG 18
Cable Length	400 mm

Environment

Standards	EN 61000-6-4 EN 61000-6-2
Protective Treatment	TC
Ambient Air Temperature For Storage	-35...70 °C

Ambient Air Temperature For Operation	-10...50 °C
Electrical Shock Protection Class	Class II conforming to IEC 61140

Packing Units

Unit Type Of Package 1	PCE
Number Of Units In Package 1	1
Package 1 Height	14 cm
Package 1 Width	14 cm
Package 1 Length	19 cm
Package 1 Weight	600 g

Contractual warranty

Warranty	18 months
-----------------	-----------

Sustainability

Green Premium™ label is Schneider Electric's commitment to delivering products with best-in-class environmental performance. Green Premium promises compliance with the latest regulations, transparency on environmental impacts, as well as circular and low-CO₂ products.

Guide to assessing product sustainability is a white paper that clarifies global eco-label standards and how to interpret environmental declarations.

[Learn more about Green Premium >](#)

[Guide to assess a product's sustainability >](#)



Transparency RoHS/REACH

Well-being performance

Toxic Heavy Metal Free

Mercury Free

Rohs Exemption Information [Yes](#)

Certifications & Standards

Reach Regulation [REACH Declaration](#)

Eu Rohs Directive Pro-active compliance (Product out of EU RoHS legal scope)
[EU RoHS Declaration](#)

China Rohs Regulation [China RoHS declaration](#)

Environmental Disclosure [Product Environmental Profile](#)

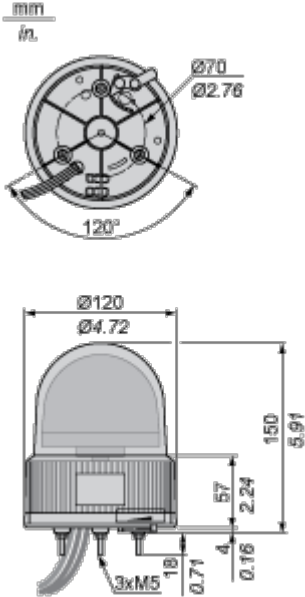
Weee The product must be disposed on European Union markets following specific waste collection and never end up in rubbish bins

Circularity Profile [End of Life Information](#)

Dimensions Drawings

Rotating Mirror Beacon

Dimensions



Mounting and Clearance

Rotating Mirror Beacon

Panel Cut-out

