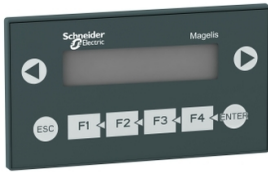


Product data sheet

Specifications



Small panel with keypad, with alphanumeric screen, green, 5V

XBTN200

⚠ Discontinued on: Feb 17, 2021

⚠ End-of-service on: Dec 23, 2022

⚠ Discontinued

Product availability: Non-Stock - Not normally stocked in distribution facility

Main

Range Of Product	Magelis XBTN
Product Or Component Type	Small panel with keypad
Software Type	Configuration software
Software Designation	Vijeo Designer Lite
Operating System	Magelis

Complementary

Display Type	Extra-bright alphanumeric backlit LCD
Display Colour	Green
Character Font	ASCII Katakana
[Us] Rated Supply Voltage	5 V DC
Supply	From PLC (terminal port)
Number Of Key	8
Number Of Fixed Keys	4
Number Of Customisable Keys	4
Number Of Pages	128 application pages
Memory Type	Flash
Memory Capacity	512 KB
Integrated Connection Type	Serial link female RJ45, asynchronous RS232C/RS485)point-to-point
Realtime Clock	Access to the PLC real-time clock
Product Mounting	Flush mounting
Fixing Mode	By 2 spring clips
Display Material	Polyester
Front Material	PPT
Keypad Material	Polyester
Marking	CE
Width	5.20 in (132 mm)
Height	2.91 in (74 mm)
Depth	1.69 in (43 mm)

Price is "List Price" and may be subject to a trade discount – check with your local distributor or retailer for actual price.

Cut-Out Dimensions	119.4 (+/- 0.5) x 63 (+/- 0.4) mm
Net Weight	0.79 lb(US) (0.36 kg)

Environment

Messages Display Capacity	2 lines of 20 characters
Downloadable Protocols	Uni-TE Modbus
Standards	IEC 60068-2-27 UL 508 IEC 61131-2 CSA C22.2 No 14 IEC 60068-2-6
Product Certifications	ATEX zone 2/22 UL 1604 CSA Class 1 Division 2 UL Class 1 Division 2
Ambient Air Temperature For Operation	32...131 °F (0...55 °C)
Ambient Air Temperature For Storage	-4...140 °F (-20...60 °C)
Relative Humidity	0...85 % without condensation
Ip Degree Of Protection	IP20 IEC 60529 rear panel) IP65 IEC 60529 front panel)
Nema Degree Of Protection	NEMA 4X front panel outdoor use)
Shock Resistance	15 gn 11 ms
Vibration Resistance	+/- 3.5 mm 2...8.45 Hz) 1 gn 8.45...150 Hz)

Ordering and shipping details

Category	US10MC222570
Discount Schedule	0MC2
Gtin	3389110379921
Returnability	No
Country Of Origin	US

Packing Units

Unit Type Of Package 1	PCE
Number Of Units In Package 1	1
Package 1 Height	1.81 in (4.6 cm)
Package 1 Width	6.34 in (16.1 cm)
Package 1 Length	9.13 in (23.2 cm)
Package 1 Weight	15.38 oz (436.0 g)

Contractual warranty

Warranty	18 months
-----------------	-----------

Sustainability

Green Premium™ label is Schneider Electric's commitment to delivering products with best-in-class environmental performance. Green Premium promises compliance with the latest regulations, transparency on environmental impacts, as well as circular and low-CO₂ products.

Guide to assessing product sustainability is a white paper that clarifies global eco-label standards and how to interpret environmental declarations.

[Learn more about Green Premium >](#)

[Guide to assess a product's sustainability >](#)

Well-being performance

✓ Reach Free Of Svhc

✓ Mercury Free

✓ Rohs Exemption Information Yes

Reach Regulation [REACH Declaration](#)

Eu Rohs Directive Pro-active compliance (Product out of EU RoHS legal scope)

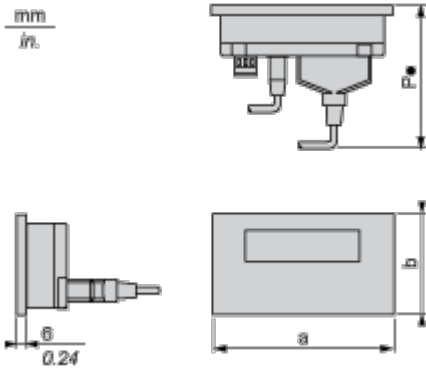
China Rohs Regulation [China RoHS declaration](#)

Weee The product must be disposed on European Union markets following specific waste collection and never end up in rubbish bins.

California Proposition 65 WARNING: This product can expose you to chemicals including: Lead and lead compounds, which is known to the State of California to cause cancer and birth defects or other reproductive harm. For more information go to www.P65Warnings.ca.gov

Dimensions Drawings

Dimensions

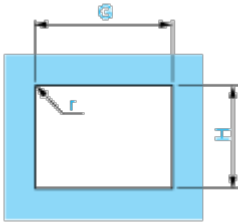


a		b		b1 (1)		P1 (2)	
mm	in.	mm	in.	mm	in.	mm	in.
132	5.19	74	3	104	4.09	78	3.07

- (1) With fixing clips (included with product)
- (2) P1: depth with RJ45 cable XBTZ9780 (for Twido, TSX Micro and Premium)

Mounting and Clearance

Cut-out for Flush Mounting



Panel thickness = 1.5...6 mm / 0.05...0.23 in.

H		G		r max.	
±0.4 mm	±0.02 in.	±0.5 mm	±0.02 in.	mm	in.
63	2.48	119.4	5	1.5	0.05