

Product data sheet

Specifications



Complete illuminated mushroom head push button, Harmony XB6E, 16mm, red pushbutton, 32mm, trigger turn pull to release, 2NC

XB6ETI523P

Product availability: Non-Stock - Not normally stocked in distribution facility

Price*: 44.20 USD

Main

Range of Product	Harmony XB6E
Product or Component Type	Complete illuminated mushroom head push-button
Device short name	XB6E
Bezel material	Plastic
Mounting diameter	0.6 in (16 mm)
Shape of signaling unit head	Round
Type of operator	trigger action
Reset	Pull to release Turn to release
Operator profile	Red mushroom Ø 32 mm
Contacts type and composition	2 NC
Connections - terminals	Solder terminal <= 0.75 mm² AWG 19

Complementary

Net Weight	0.0443 lb(US) (0.0201 kg)
marking	CE
Mechanical durability	100000 cycles
Tightening torque	5.3...8.9 lbf.in (0.6...1 N.m)
Short-circuit protection	6 A fuse gG IEC 60269
[I _{th}] conventional free air thermal current	5 A
[U _i] rated insulation voltage	250 V 3)
Insulation resistance	< 100 MOhm
[U _{imp}] rated impulse withstand voltage	2.5 kV
[I _e] rated operational current	1.5 A 120 V, AC-12, C300 EN/IEC 60947-5-1 0.3 A 120 V, AC-15, C300 EN/IEC 60947-5-1 1 A 240 V, AC-12, C300 EN/IEC 60947-5-1 0.3 A 240 V, AC-15, C300 EN/IEC 60947-5-1 1 A 24 V, DC-12, R300 EN/IEC 60947-5-1 0.7 A 24 V, DC-13, R300 EN/IEC 60947-5-1 0.2 A 125 V, DC-12, R300 EN/IEC 60947-5-1 0.15 A 125 V, DC-13, R300 EN/IEC 60947-5-1
Electrical durability	1000000 cycles 50000 cycles, DC-13

Price is "List Price" and may be subject to a trade discount – check with your local distributor or retailer for actual price.

Environment

Ambient Air Temperature for Storage	-40...158 °F (-40...70 °C)
Ambient Air Temperature for Operation	14...131 °F (-10...55 °C)
IP degree of protection	IP65 IEC 60529
Standards	JIS C8201-5-1 EN 60947-5-1 GB 14048.5 EN 60947-5-5 CSA C22.2 No 14 UL 508 JIS C8201-1
Product Certifications	TÜV UR CCC
Vibration resistance	+/- 0.7 mm 10...500 Hz)
Shock resistance	500 m/s ² mechanical durability

Ordering and shipping details

Category	US10CS222459
Discount Schedule	0CS2
GTIN	3606480597688
Returnability	No
Country of origin	CN

Packing Units

Unit Type of Package 1	PCE
Number of Units in Package 1	1
Package 1 Height	2.6 in (6.6 cm)
Package 1 Width	1.7 in (4.3 cm)
Package 1 Length	1.7 in (4.3 cm)
Package 1 Weight	1.0 oz (27.9 g)
Unit Type of Package 2	BAG
Number of Units in Package 2	5
Package 2 Height	1.6 in (4 cm)
Package 2 Width	4.3 in (11 cm)
Package 2 Length	7.9 in (20 cm)
Package 2 Weight	4.2 oz (118 g)
Unit Type of Package 3	S01
Number of Units in Package 3	30
Package 3 Height	5.9 in (15 cm)
Package 3 Width	5.9 in (15 cm)
Package 3 Length	15.7 in (40 cm)
Package 3 Weight	33.4 oz (946 g)

Sustainability

Green Premium™ label is Schneider Electric's commitment to delivering products with best-in-class environmental performance. Green Premium promises compliance with the latest regulations, transparency on environmental impacts, as well as circular and low-CO₂ products.

Guide to assessing product sustainability is a white paper that clarifies global eco-label standards and how to interpret environmental declarations.

[Learn more about Green Premium >](#)

[Guide to assess a product's sustainability >](#)

Well-being performance

✓ Reach Free Of Svhc

✓ Mercury Free

✓ Rohs Exemption Information [Yes](#)

Reach Regulation [REACH Declaration](#)

Eu Rohs Directive Pro-active compliance (Product out of EU RoHS legal scope)

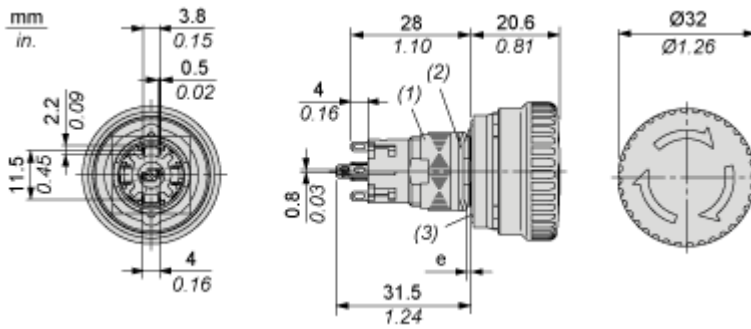
China Rohs Regulation [China RoHS declaration](#)

Weee The product must be disposed on European Union markets following specific waste collection and never end up in rubbish bins.

California Proposition 65 "WARNING: This product can expose you to chemicals including: Nickel compounds, which is known to the State of California to cause cancer, and Di-isodecyl phthalate (DIDP), which is known to the State of California to cause birth defects or other reproductive harm. For more information go to www.P65Warnings.ca.gov"

Dimensions Drawings

Emergency Stop Illuminated Pushbutton

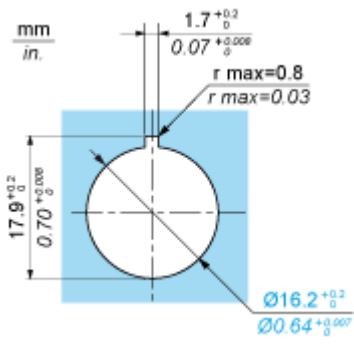


e : panel thickness 0.5 to 6 mm / 0.01 to 0.23 in.

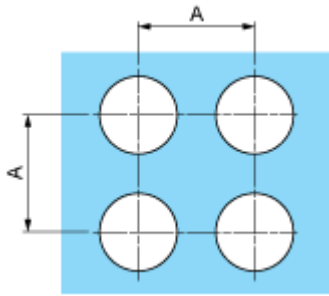
- (1) Nut
- (2) Anti-rotation plate (thickness: 0.6 mm / 0.02 in.)
- (3) Seal (thickness: 0.5 mm / 0.01 in.)

Mounting and Clearance

Panel Cut-out



Minimum Clearance for Emergency Stop Pushbutton

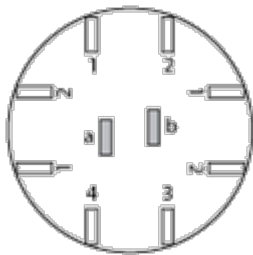
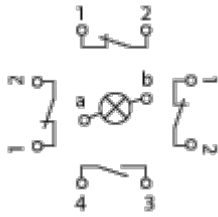


A : 41 mm / 1.61

Connections and Schema

Wiring Diagram

Emergency Stop Illuminated Pushbutton Switches



Terminals 1-2 : NC contact terminals

Terminals 3-4 : NO contact terminals

Terminals a-b : Lamp terminals