

Product data sheet

Specifications



Monolithic pilot light, Harmony XB6E, rectangular Ø 16 IP65 orange, integral LED 12VDC polarised connector

XB6EDV8JP

! Discontinued

! Discontinued on: Feb 2, 2021

Product availability: Non-Stock - Not normally stocked in distribution facility

Main

Range of Product	Harmony XB6E
Product or Component Type	Monolithic pilot light
Device short name	XB6E
Bezel material	Plastic
Mounting diameter	0.6 in (16 mm)
Sale per indivisible quantity	5
Shape of signaling unit head	Rectangular
Cap/operator or lens colour	Orange
Light source	Integral LED
Light block supply	Direct
[Us] rated supply voltage	12 V DC polarised

Complementary

Net Weight	0.013 lb(US) (0.006 kg)
Overvoltage category	II IEC 60536
Operating position	Any position
marking	CE
Connections - terminals	Insulated faston 2.8 x 0.5 mm Solder terminal <= 0.75 mm ² AWG 19 Fast connector socket
Tightening torque	5.3...8.9 lbf.in (0.6...1 N.m)
[Ui] rated insulation voltage	250 V 3)IEC 60947-1
[Uimp] rated impulse withstand voltage	2.5 kV IEC 60947-1
Signalling type	Steady
Current Consumption	10 mA
Service life	30000 h

Environment

Ambient Air Temperature for Storage	-40...158 °F (-40...70 °C)
-------------------------------------	----------------------------

Price is "List Price" and may be subject to a trade discount – check with your local distributor or retailer for actual price.

Ambient Air Temperature for Operation	14...131 °F (-10...55 °C)
IP degree of protection	IP65 IEC 60529
Standards	JIS C 852 IEC 60947-5-1 UL 508 IEC 60947-1 JIS C8201-5-1 CSA C22.2 No 14 JIS C8201-1
Product Certifications	CCC cURus
Vibration resistance	1 mm 10...55 Hz)IEC 60068-2-6
Shock resistance	10 gn 11 ms) half sine wave acceleration IEC 60068-2-27

Ordering and shipping details

Category	US10CS222459
Discount Schedule	0CS2
GTIN	03389110629996
Returnability	No
Country of origin	CN

Contractual warranty

Warranty	18 months
-----------------	-----------

Sustainability

Green Premium™ label is Schneider Electric's commitment to delivering products with best-in-class environmental performance. Green Premium promises compliance with the latest regulations, transparency on environmental impacts, as well as circular and low-CO₂ products.

Guide to assessing product sustainability is a white paper that clarifies global eco-label standards and how to interpret environmental declarations.


[Learn more about Green Premium >](#)

[Guide to assess a product's sustainability >](#)

Well-being performance

 Reach Free Of Svhc

 Mercury Free

 Rohs Exemption Information Yes

Eu Rohs Directive Pro-active compliance (Product out of EU RoHS legal scope)

China Rohs Regulation [China RoHS declaration](#)

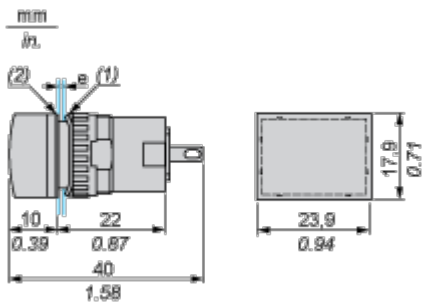
Weee The product must be disposed on European Union markets following specific waste collection and never end up in rubbish bins.

California Proposition 65 WARNING: This product can expose you to chemicals including: Lead and lead compounds, which is known to the State of California to cause cancer and birth defects or other reproductive harm. For more information go to www.P65Warnings.ca.gov

Dimensions Drawings

Pilot Light

Rectangular Head



- (1) Anti-rotation plate (thickness: 0.6 mm / 0.02 in.)
- (2) Seal (thickness: 0.5 mm / 0.01 in.)
- e panel thickness: 0.5 mm (0.01 in.) ≤ e ≤ 6 mm (0.24 in.)

Mounting and Clearance

Panel Cut-Out and Mounting

Rectangular Head

