

Product data sheet

Specifications



rectangular pilot light Ø16 IP65 blue - integral LED 12VDC polarised connector

XB6EDV6JP

⚠ Discontinued on: Dec 2, 2020

⚠ End-of-service on: Dec 31, 2020

⚠ Discontinued

Main

Range of Product	Harmony XB6E
Product or Component Type	Monolithic pilot light
Device short name	XB6E
Bezel material	Plastic
Mounting diameter	0.6 in (16 mm)
Sale per indivisible quantity	5
Shape of signaling unit head	Rectangular
Cap/operator or lens colour	Blue
Light source	Integral LED
Light block supply	Direct
[Us] rated supply voltage	12 V DC polarised

Complementary

Net Weight	0.013 lb(US) (0.006 kg)
Overvoltage category	II IEC 60536
Operating position	Any position
marking	CE
Connections - terminals	Insulated faston 2.8 x 0.5 mm Solder terminal <= 0.75 mm ² AWG 19 Fast connector socket
Tightening torque	5.3...8.9 lbf.in (0.6...1 N.m)
[Ui] rated insulation voltage	250 V 3)IEC 60947-1
[Uimp] rated impulse withstand voltage	2.5 kV IEC 60947-1
Signalling type	Steady
Current Consumption	10 mA
Service life	30000 h

Environment

Ambient Air Temperature for Storage	-40...158 °F (-40...70 °C)
Ambient Air Temperature for Operation	14...131 °F (-10...55 °C)

Price is "List Price" and may be subject to a trade discount – check with your local distributor or retailer for actual price.

IP degree of protection	IP65 IEC 60529
Standards	IEC 60947-5-1 IEC 60947-1 CSA C22.2 No 14 JIS C8201-5-1 JIS C 852 UL 508 JIS C8201-1
Product Certifications	cURus CCC
Vibration resistance	1 mm 10...55 Hz IEC 60068-2-6
Shock resistance	10 gn 11 ms) half sine wave acceleration IEC 60068-2-27

Ordering and shipping details

Category	22459-PUSHBUTTONS, 16MM
Discount Schedule	CS2
GTIN	03389110629989
Returnability	No
Country of origin	CN

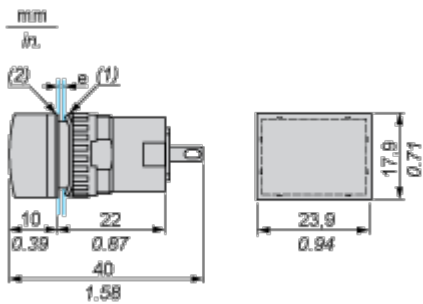
Contractual warranty

Warranty	18 months
-----------------	-----------

Dimensions Drawings

Pilot Light

Rectangular Head



(1) Anti-rotation plate (thickness: 0.6 mm / 0.02 in.)

(2) Seal (thickness: 0.5 mm / 0.01 in.)

e panel thickness: 0.5 mm (0.01 in.) ≤ e ≤ 6 mm (0.24 in.)

Mounting and Clearance

Panel Cut-Out and Mounting

Rectangular Head

