

Product datasheet

Specifications



rectangular pilot light Ø16 IP65
blue - integral LED
24VDC polarised connector

XB6EDV6BP

! Discontinued on: 17 Apr 2020

! Discontinued

EAN Code: 3389110630398

Main

Range of product	Harmony XB6E
Product or component type	Monolithic pilot light
Device short name	XB6E
Bezel material	Plastic
Mounting diameter	16 mm
Sale per indivisible quantity	5
Shape of signaling unit head	Rectangular
Cap/operator or lens colour	Blue
Light source	Integral LED
Light block supply	Direct
[Us] rated supply voltage	24 V DC polarised

Complementary

Net weight	0.006 kg
Overvoltage category	II conforming to IEC 60536
Operating position	Any position
marking	CE
Connections - terminals	Insulated faston, connection size: 2.8 x 0.5 mm Solder terminal, clamping capacity: <= 0.75 mm ² AWG 19 Fast connector socket
Tightening torque	0.6...1 N.m
[Ui] rated insulation voltage	250 V (pollution degree 3) conforming to IEC 60947-1
[Uimp] rated impulse withstand voltage	2.5 kV conforming to IEC 60947-1
Signalling type	Steady
Current consumption	10 mA
Service life	30000 h

Environment

Ambient air temperature for storage	-40...70 °C
Ambient air temperature for operation	-10...55 °C
IP degree of protection	IP65 conforming to IEC 60529

Standards	IEC 60947-5-1 JIS C8201-5-1 CSA C22.2 No 14 UL 508 IEC 60947-1 JIS C 852 JIS C8201-1
product certifications	CCC cURus
Vibration resistance	1 mm (f= 10...55 Hz) conforming to IEC 60068-2-6
Shock resistance	10 gn (duration = 11 ms) for half sine wave acceleration conforming to IEC 60068-2-27

Contractual warranty

Warranty	18 months
-----------------	-----------

Sustainability

Green Premium™ label is Schneider Electric's commitment to delivering products with best-in-class environmental performance. Green Premium promises compliance with the latest regulations, transparency on environmental impacts, as well as circular and low-CO₂ products.

Guide to assessing product sustainability is a white paper that clarifies global eco-label standards and how to interpret environmental declarations.

[Learn more about Green Premium >](#)

[Guide to assess a product's sustainability >](#)



Transparency [RoHS/REACH](#)

Well-being performance

[Reach Free Of Svhc](#)

[Mercury Free](#)

[Rohs Exemption Information](#) [Yes](#)

Certifications & Standards

Eu Rohs Directive [Pro-active compliance \(Product out of EU RoHS legal scope\)](#)

China Rohs Regulation [China RoHS declaration](#)

Environmental Disclosure [Product Environmental Profile](#)

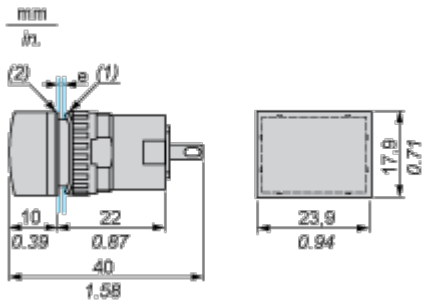
Weee [The product must be disposed on European Union markets following specific waste collection and never end up in rubbish bins](#)

Circularity Profile [End of Life Information](#)

Dimensions Drawings

Pilot Light

Rectangular Head



- (1) Anti-rotation plate (thickness: 0.6 mm / 0.02 in.)
- (2) Seal (thickness: 0.5 mm / 0.01 in.)
- e panel thickness: 0.5 mm (0.01 in.) ≤ e ≤ 6 mm (0.24 in.)

Mounting and Clearance

Panel Cut-Out and Mounting

Rectangular Head

