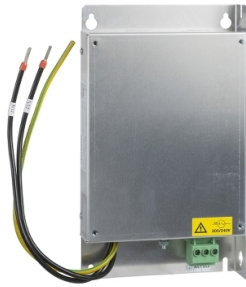


Product data sheet

Specifications



EMC input filter, Altivar, Lexium, 25A, 3 phases, 380V-480V

VW3A4423

Main

Range of product	Altivar Lexium
product or component type	EMC input filter
Range compatibility	Lexium 32 Lexium 52 Lexium 28 Altivar Machine ATV340
Product compatibility	LXM28A LXM32, three-phase, line current 14.6...18.1 A Variable speed drive ATV340 2.2 kW, 380...480 V Variable speed drive ATV340 3 kW, 380...480 V Variable speed drive ATV340 4 kW, 380...480 V Variable speed drive ATV340 5.5 kW, 380...480 V Variable speed drive ATV340 7.5 kW, 380...480 V
Product specific application	Radio interference input filter
mounting location	At variable speed drive side
Network number of phases	Three phase

Complementary

Maximum cable distance between devices	65.6 ft (20 m) IEC 61800-3 category C1 164.04 ft (50 m) IEC 61800-3 category C2 328.08 ft (100 m) IEC 61800-3 category C3
[In] rated current	25 A
Thermal losses	15.8 W
Network rated voltage	380...500 V
Tolerance	- 15...10 %
net weight	2.98 lb(US) (1.35 kg)
Emc filter compatibility	Type 023

Packing Units

Unit Type of Package 1	PCE
Number of Units in Package 1	1
Package 1 Height	2.441 in (6.200 cm)
Package 1 Width	8.819 in (22.400 cm)
Package 1 Length	11.654 in (29.600 cm)
Package 1 Weight	3.377 lb(US) (1.532 kg)
Unit Type of Package 2	P06

Number of Units in Package 2	44
Package 2 Height	29.528 in (75.000 cm)
Package 2 Width	23.622 in (60.000 cm)
Package 2 Length	31.496 in (80.000 cm)
Package 2 Weight	144.923 lb(US) (65.736 kg)

Contractual warranty

Warranty	18 months
-----------------	-----------

Sustainability

Green Premium™ label is Schneider Electric's commitment to delivering products with best-in-class environmental performance. Green Premium promises compliance with the latest regulations, transparency on environmental impacts, as well as circular and low-CO₂ products.

Guide to assessing product sustainability is a white paper that clarifies global eco-label standards and how to interpret environmental declarations.

[Learn more about Green Premium >](#)

[Guide to assess a product's sustainability >](#)

Well-being performance

✓ Reach Free Of Svhc

✓ Toxic Heavy Metal Free

✓ Mercury Free

✓ Rohs Exemption Information [Yes](#)

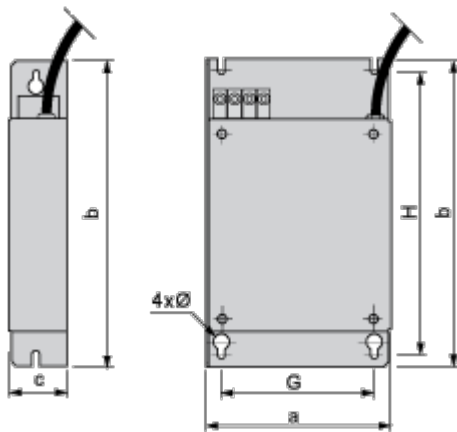
Reach Regulation [REACH Declaration](#)

Eu Rohs Directive Pro-active compliance (Product out of EU RoHS legal scope)
[EU RoHS Declaration](#)

China Rohs Regulation [China RoHS declaration](#)

Dimensions Drawings

Additional EMC Input Filters



Dimensions in mm

a	b	c	G	H	Ø
140	235	50	120	215	4.5

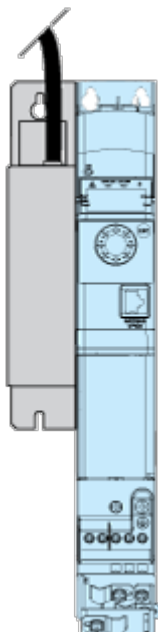
Dimensions in in.

a	b	c	G	H	Ø
5.51	9.25	1.96	4.72	8.46	0.18

Mounting and Clearance

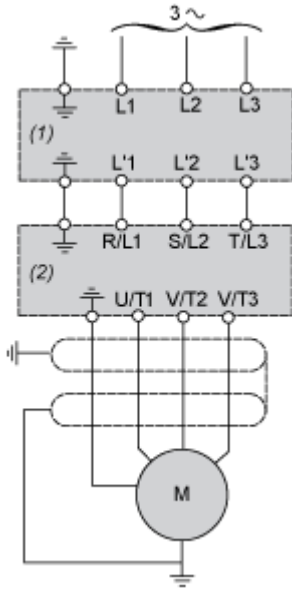
Mounting Recommendations

Mounting the Filter on the Side of the Drive



Connections and Schema

Recommended Schema



- (1) Filter
- (2) Drive