

Product data sheet

Specifications



Serial interface adaptor, Twido, optional communication port for PLC, RS 485, mini DIN

TWDNAC485D

⚠ Discontinued on: Jul 31, 2024

⚠ Discontinued

Main

Range of Product	Twido
Accessory / separate part category	Adaptation accessories
accessory / separate part type	Adaptor
Product or Component Type	Adaptor
Accessory / separate part designation	Serial interface adaptor
Product Compatibility	TWDLCAA40DRF TWDLCDE40DRF TWDLMDA20DRT TWDLCA16DRF TWDLMDA20DUK TWDLCAA24DRF TWDXCPODM TWDLCAE40DRF TWDLMDA40DTK TWDLCA16DRF TWDLMDA20DTK TWDLCAA16DRF TWDLCA24DRF TWDLMDA40DUK
Accessory / separate part destination	Base controller Integrated display module
Communication port support	RS485
Electrical Connection	1 connector
Range Compatibility	Twido

Complementary

Connector Type	Mini DIN
Net Weight	0.02 lb(US) (0.01 kg)

Ordering and shipping details

Category	22531-PLCS, TWIDO, TWD
Discount Schedule	PC12
GTIN	3595862044301
Returnability	No
Country of origin	JP

Packing Units

Price is "List Price" and may be subject to a trade discount – check with your local distributor or retailer for actual price.

Unit Type of Package 1	PCE
Number of Units in Package 1	1
Package 1 Height	1.2 in (3.0 cm)
Package 1 Width	2.0 in (5.0 cm)
Package 1 Length	3.0 in (7.5 cm)
Package 1 Weight	0.4 oz (12.0 g)
Unit Type of Package 2	S01
Number of Units in Package 2	90
Package 2 Height	5.9 in (15 cm)
Package 2 Width	5.9 in (15 cm)
Package 2 Length	15.7 in (40 cm)
Package 2 Weight	2.89 lb(US) (1.31 kg)

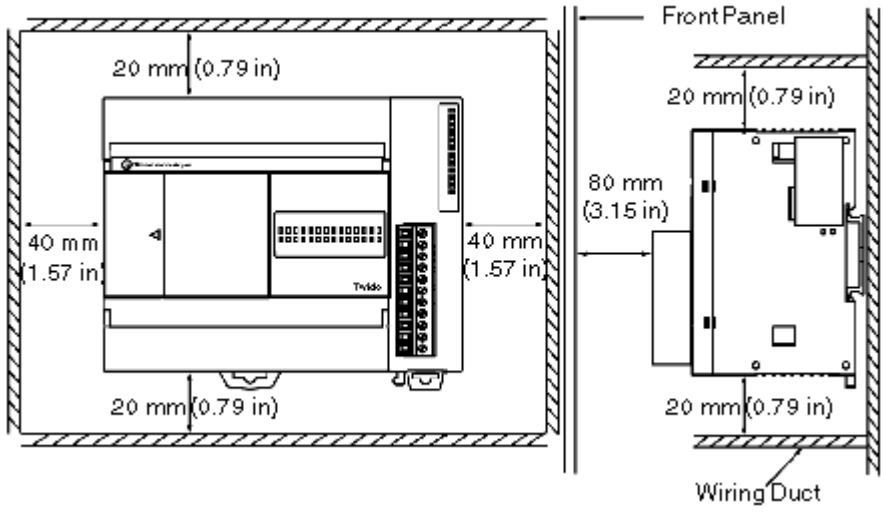
Contractual warranty

Warranty	18 months
-----------------	-----------

Mounting and Clearance

Minimum Clearances

For a Compact Base and Expansion I/O Modules



For a Modular Base and Expansion I/O Modules

