

Product datasheet

Specifications



solid state relay - DIN rail mount -
input 4-32 V DC, output 24-280 V
AC, 20A

SSRDCDS20A1

⚠ Discontinued on: 1 Nov 2020

⚠ Discontinued

Main

Range Of Product	Zelio Relay
Product Or Component Type	Solid state relay
Device Short Name	SSR
Network Number Of Phases	1 phase
Mounting Support	Symmetrical DIN rail
[In] Rated Current	20 A
Output Voltage	24...280 V AC
[Uc] Control Circuit Voltage	4...32 V DC

Complementary

Contacts Type And Composition	1 NO
Tightening Torque	0.6...0.7 N.m for input 0.6...0.7 N.m for output
Connections - Terminals	Screw terminals 1 x 0.2...1 x 5.3 mm ² for input - AWG 24...AWG 10 Screw terminals 1 x 0.2...1 x 5.3 mm ² for output - AWG 24...AWG 10
Local Signalling	LED (green) for input status
Switching Voltage	4 V DC turn-on 1 V DC turn-off
Input Current Limits	8...12 mA
Solid State Output Type	SCR output Zero voltage switching
Load Current	0.15...20 A
Output Sustained Overvoltage	600 V
Surge Current	250 A for 16.6 ms
Maximum Voltage Drop	<1.6 V on-state
Maximum I ² T For Fusing	260 A ² .s for 8.3 ms
Maximum Leakage Current	10 mA off-state
Dv/Dt	500 V/μs off-state at maximum voltage
Response Time	0.5 cycle (turn-on) 0.5 cycle (turn-off)

Environment

Standards	IEC 62314 CSA LR 40487 UL E258297 IEC 60950-1
Marking	CE
Ip Degree Of Protection	IP20
Ambient Air Temperature For Operation	-40...80 °C
Ambient Air Temperature For Storage	-40...125 °C

Packing Units

Unit Type Of Package 1	PCE
Number Of Units In Package 1	1
Package 1 Height	3 cm
Package 1 Width	11 cm
Package 1 Length	11 cm
Package 1 Weight	0.29 kg

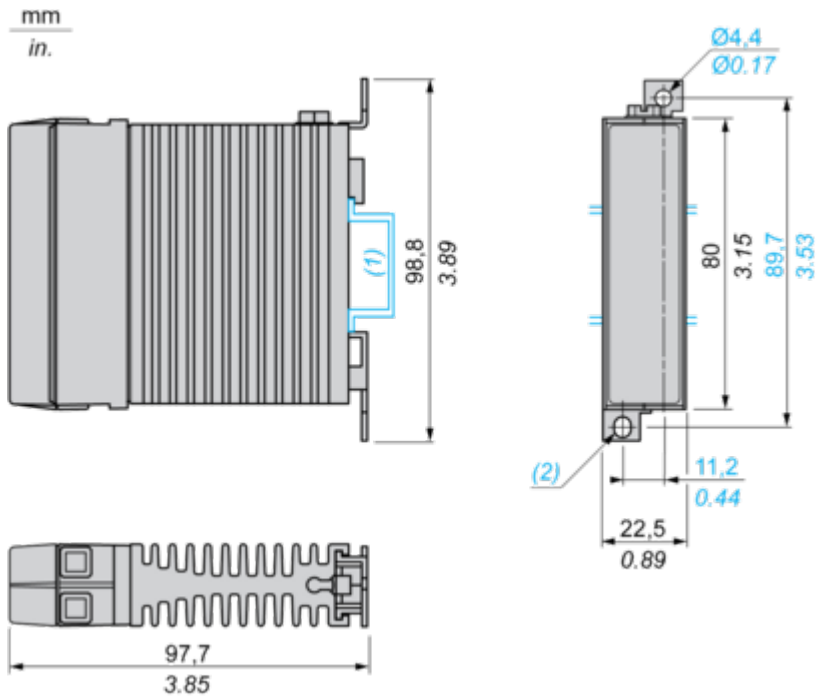
Contractual warranty

Warranty	12 months
-----------------	-----------

Dimensions Drawings

Dimensions

DIN Rail Mounting



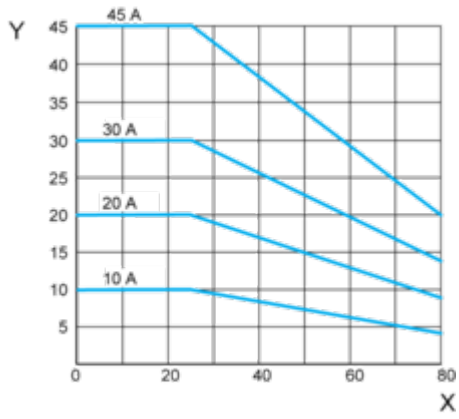
(1) 35 mm/1.37 in. DIN rail.

(2) Ø 4.4 mm x 5.5 mm / Ø 0.17 in. x 0.22 in. elongated hole

Performance Curves

Thermal Derating Curves

10...45 A Relays



X Ambient temperature (°C)

Y Output current (Arms)

Note : These are typical curves, actual durability depends on load, environment, duty cycle, etc.