

# Product data sheet

Specifications



discrete IO extension module,  
Zelio Logic SR2 SR3, 6 IO, 100 to  
240V AC

SR3XT61FU

**Product availability:** Stock - Normally stocked in distribution facility

**Price\*:** 106.00 USD

## Main

Range Of Product	Zelio Logic
Product Or Component Type	Discrete I/O extension module

## Complementary

Number Or Control Scheme Lines	120 ladder
Cycle Time	6...90 ms
Backup Time	10 years 77 °F (25 °C)
Clock Drift	12 min/year 32...131 °F (0...55 °C)
Checks	Program memory on each power up
[Us] Rated Supply Voltage	100...240 V AC
Supply Voltage Limits	85...264 V
Supply Frequency	50/60 Hz
Reverse Polarity Protection	With
Discrete Input Number	4
Discrete Input Voltage	100...240 V AC
Discrete Input Current	0.6 mA
Discrete Input Frequency	57...63 Hz 47...53 Hz
Voltage State 1 Guaranteed	>= 79 V discrete input
Voltage State 0 Guaranteed	<= 40 V discrete input
Current State 1 Guaranteed	>= 0.17 mA discrete input)
Current State 0 Guaranteed	<= 0.5 mA discrete input)
Input Impedance	350 kOhm discrete input
Number Of Outputs	2 relay
Output Voltage Limits	5...30 V DC relay output) 24...250 V AC
Contacts Type And Composition	NO relay output
Output Thermal Current	8 A for all 2 outputs relay output
Electrical Durability	AC-15 500000 cycles 230 V, 0.9 A relay output IEC 60947-5-1 AC-12 500000 cycles 230 V, 1.5 A relay output IEC 60947-5-1 DC-13 500000 cycles 24 V, 0.6 A relay output IEC 60947-5-1 DC-12 500000 cycles 24 V, 1.5 A relay output IEC 60947-5-1

Price is "List Price" and may be subject to a trade discount – check with your local distributor or retailer for actual price.

<b>Switching Capacity In Ma</b>	>= 10 mA 12 V relay output)
<b>Operating Rate In Hz</b>	0.1 Hz at le)relay output 10 Hz no load)relay output
<b>Mechanical Durability</b>	10000000 cycles relay output
<b>[Uimp] Rated Impulse Withstand Voltage</b>	4 kV EN/IEC 60947-1 and EN/IEC 60664-1
<b>Response Time</b>	50 ms ladder from state 0 to state 1)discrete input 50 ms ladder from state 1 to state 0)discrete input 50...255 ms FBD from state 0 to state 1)discrete input 50...255 ms FBD from state 1 to state 0)discrete input 10 ms from state 0 to state 1)relay output 5 ms from state 1 to state 0)relay output
<b>Connections - Terminals</b>	Screw terminals, 1 x 0.25...1 x 2.5 mm <sup>2</sup> AWG 24...AWG 14) flexible with cable end Screw terminals, 2 x 0.25...2 x 0.75 mm <sup>2</sup> AWG 24...AWG 18) flexible with cable end Screw terminals, 1 x 0.2...1 x 2.5 mm <sup>2</sup> AWG 25...AWG 14) semi-solid Screw terminals, 1 x 0.2...1 x 2.5 mm <sup>2</sup> AWG 25...AWG 14) solid Screw terminals, 2 x 0.2...2 x 1.5 mm <sup>2</sup> AWG 24...AWG 16) solid
<b>Tightening Torque</b>	4.43 lbf.in (0.5 N.m)
<b>Overvoltage Category</b>	III IEC 60664-1
<b>Net Weight</b>	0.28 lb(US) (0.125 kg)

## Environment

<b>Product Certifications</b>	CSA GOST C-tick UL GL
<b>Standards</b>	IEC 61000-4-11 IEC 60068-2-27 Ea IEC 61000-4-4 level 3 IEC 61000-4-5 IEC 61000-4-12 IEC 60068-2-6 Fc IEC 61000-4-2 level 3 IEC 61000-4-3 IEC 61000-4-6 level 3
<b>Ip Degree Of Protection</b>	IP20 IEC 60529 terminal block) IP40 IEC 60529 front panel)
<b>Environmental Characteristic</b>	EMC directive IEC 61000-6-2 EMC directive IEC 61000-6-3 EMC directive IEC 61000-6-4 EMC directive IEC 61131-2 zone B Low voltage directive IEC 61131-2
<b>Disturbance Radiated/Conducted</b>	Class B EN 55022-11 group 1
<b>Pollution Degree</b>	2 IEC 61131-2
<b>Ambient Air Temperature For Operation</b>	-4...104 °F (-20...40 °C) in non-ventilated enclosure IEC 60068-2-1 and IEC 60068-2-2 -4...131 °F (-20...55 °C) IEC 60068-2-1 and IEC 60068-2-2
<b>Ambient Air Temperature For Storage</b>	-40...158 °F (-40...70 °C)
<b>Operating Altitude</b>	6561.68 ft (2000 m)
<b>Maximum Altitude Transport</b>	10000.00 ft (3048 m)
<b>Relative Humidity</b>	95 % without condensation or dripping water

## Ordering and shipping details

<b>Category</b>	US1000I22378
<b>Discount Schedule</b>	000I

<b>Gtin</b>	3389110550122
<b>Returnability</b>	Yes
<b>Country Of Origin</b>	US

## Packing Units

<b>Unit Type Of Package 1</b>	PCE
<b>Number Of Units In Package 1</b>	1
<b>Package 1 Height</b>	2.36 in (6.000 cm)
<b>Package 1 Width</b>	2.56 in (6.500 cm)
<b>Package 1 Length</b>	4.33 in (11.000 cm)
<b>Package 1 Weight</b>	4.16 oz (118.000 g)
<b>Unit Type Of Package 2</b>	S03
<b>Number Of Units In Package 2</b>	48
<b>Package 2 Height</b>	11.81 in (30.000 cm)
<b>Package 2 Width</b>	11.81 in (30.000 cm)
<b>Package 2 Length</b>	15.75 in (40.000 cm)
<b>Package 2 Weight</b>	13.56 lb(US) (6.149 kg)

## Contractual warranty

<b>Warranty</b>	18 months
-----------------	-----------

## Sustainability

**Green Premium™ label** is Schneider Electric's commitment to delivering products with best-in-class environmental performance. Green Premium promises compliance with the latest regulations, transparency on environmental impacts, as well as circular and low-CO<sub>2</sub> products.

**Guide to assessing product sustainability** is a white paper that clarifies global eco-label standards and how to interpret environmental declarations.

[Learn more about Green Premium >](#)

[Guide to assess a product's sustainability >](#)



Transparency RoHS/REACH

## Well-being performance

Mercury Free

Rohs Exemption Information Yes

Pvc Free

## Certifications & Standards

Reach Regulation [REACH Declaration](#)

Eu Rohs Directive Pro-active compliance (Product out of EU RoHS legal scope)

China Rohs Regulation [China RoHS declaration](#)

Environmental Disclosure [Product Environmental Profile](#)

Weee The product must be disposed on European Union markets following specific waste collection and never end up in rubbish bins.

Circularity Profile [End of Life Information](#)

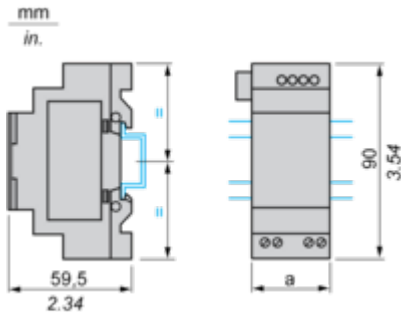
California Proposition 65 **WARNING:** This product can expose you to chemicals including: Lead and lead compounds, which is known to the State of California to cause cancer and birth defects or other reproductive harm. For more information go to [www.P65Warnings.ca.gov](http://www.P65Warnings.ca.gov)

Dimensions Drawings

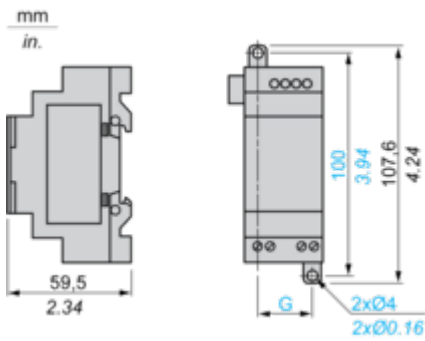
I/O Extension Modules

---

Mounting on 35 mm/1.38 in. DIN Rail



Screw Fixing (Retractable Lugs)

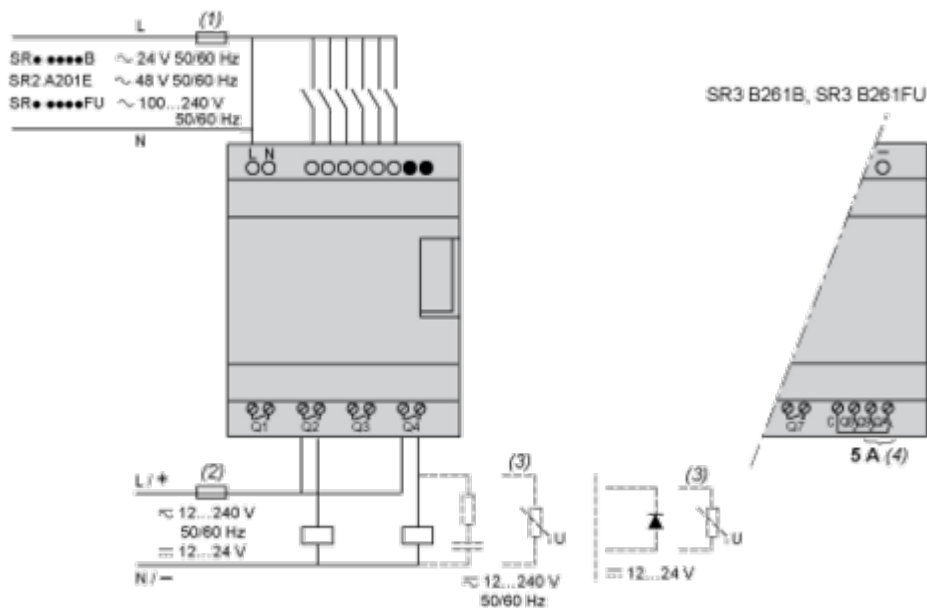


SR3	a (mm/in.)	G (mm/in.)
XT61••	35 / 1.38	25 / 0.98
XT101••	72 / 2.83	60 / 2.36
XT141••	72 / 2.83	60 / 2.36

Connections and Schema

Connection of Smart Relays on AC Supply

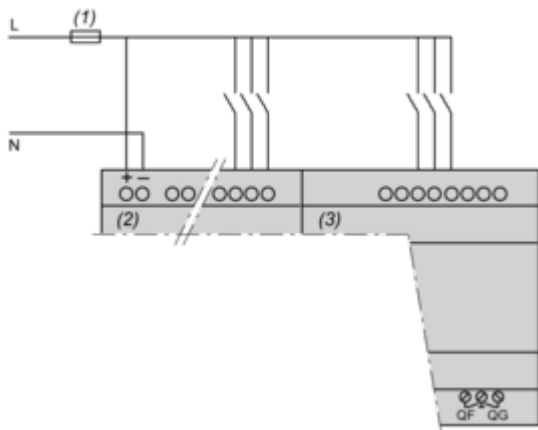
SR••••1B, SR••••1FU



- (1) 1 A quick-blow fuse or circuit-breaker.
- (2) Fuse or circuit-breaker.
- (3) Inductive load.
- (4) Q9 and QA: 5 A (max. current in terminal C: 10 A).

With Discrete I/O Extension Module

SR3B••••B + SR3XT••••B, SR3B••••FU + SR3XT••••FU



- (1) 1 A quick-blow fuse or circuit-breaker.

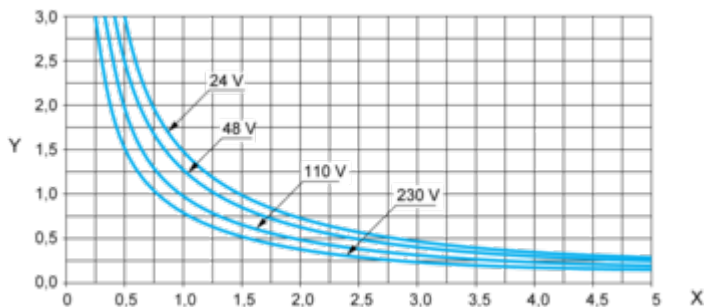
**NOTE:** QF and QG: 5 A for SR3XT141••

Performance Curves

Compact and Modular Smart Relays

Electrical Durability of Relay Outputs

(in millions of operating cycles, conforming to IEC/EN 60947-5-1)  
AC-12 (1)

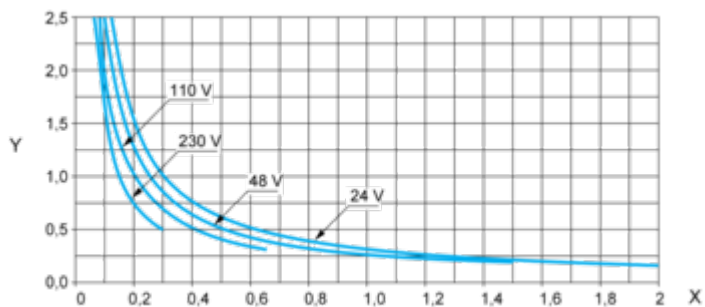


X: Current (A)

Y: Millions of operating cycles

(1) AC-12: switching resistive loads and opto-coupler isolated solid-state loads,  $\cos \geq 0.9$ .

AC-14 (1)

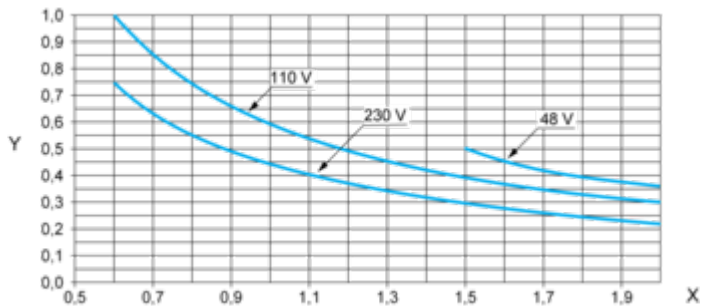


X: Current (A)

Y: Millions of operating cycles

(1) AC-14: switching small electromagnetic loads  $\leq 72$  VA, make:  $\cos = 0.3$ , break:  $\cos = 0.3$ .

AC-15 (1)



X: Current (A)

Y: Millions of operating cycles

(1) AC-15: switching electromagnetic loads  $\geq 72$  VA, make:  $\cos = 0.7$ , break:  $\cos = 0.4$ .