



19 - Disconnect switches



Non-fusible and fusible disconnect switches19.1 - 19.6

General information	
Versatility, broad range, compact size.....	19.1
International acceptance, installation options, broad range of accessories	19.2
Mounting, mounting positions, incoming power feeds, terminal connections.....	19.3
Finger proof, door interlock, padlockable, positive opening operation.....	19.4
Welded contact protection, clear position indication, visible blades, constant control	19.5
High performance, superior short circuit protection, fuse isolation	19.6

Non-fusible disconnect switches19.7 - 19.18

Approvals and ratings	19.7
Ordering details guide.....	19.8 - 19.9
Ordering details information.....	19.10
Base and DIN rail mounted, 16 - 2000 A	19.11
Door mounted, 16 - 100 A.....	19.12
Side operated.....	19.13
Flange & double throw (change-over).....	19.14 - 19.17
OTDC Solar Disconnect switches	19.18

Fusible disconnect switches19.19 - 19.28

Approvals and ratings	19.19
Ordering details guide.....	19.20
Ordering details information	19.21
Base & DIN rail mounted.....	19.22
Side operated and flange	19.23 - 19.26
High speed fuse pattern	19.27 - 19.28

Accessories19.29 - 19.40

Standard handles & shafts.....	19.30 - 19.32
Auxiliary contacts.....	19.33
Terminal lugs.....	19.34
Terminal shrouds	19.35
Additional poles	19.36
Fuse monitors & carriers.....	19.37
Miscellaneous accessories & replacement parts	19.38
Conversion, transfer & bypass mechanisms.....	19.39

Enclosed disconnect switches19.41 - 19.48

General information	19.42 - 19.44
Non-fusible	
3 pole, 16 - 3150 A	19.45
6 pole, 16 - 1200 A	19.46
Fusible	
3 pole, 30 - 800 A	19.47
Accessories.....	19.48

Technical data.....19.49 - 19.66

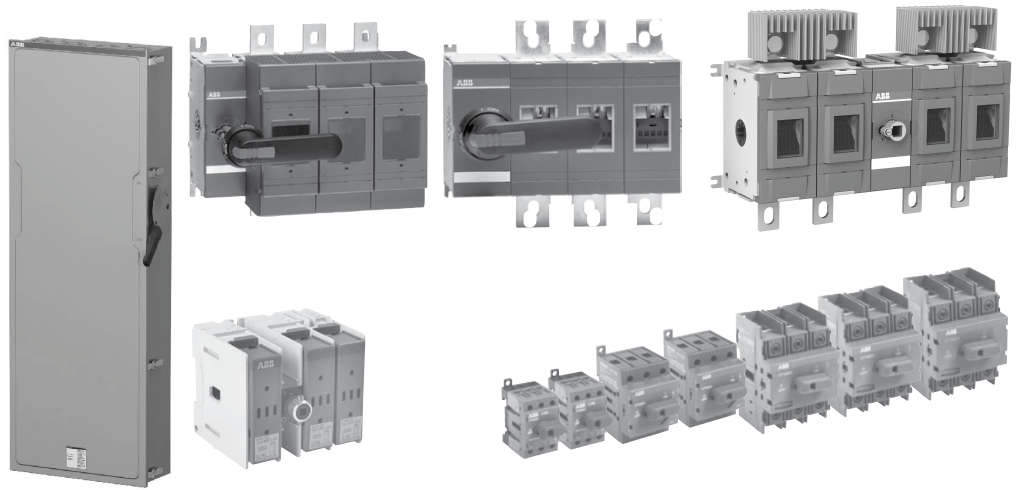
Technical data	19.49 - 19.59
Auxiliary contact timing diagrams.....	19.60 - 19.63
NEMA Environmental ratings	19.64 - 19.65
Definition	19.66

Approximate dimensions19.67 - 19.91

Non-fusible & fusible Disconnect switches



Non-fusible & fusible disconnect switches, open style General information



Versatility

ABB disconnect switches are designed to offer maximum versatility in many ways.

Broad range

ABB's open style non-fusible switches have seventeen amperage sizes from 16–2000 A. The fusible range is 30–1200 A. All sizes are compact, heavy duty, 600V, disconnect switches. Many sizes are available in 2, 3, 4, 6, and 8 pole configurations.

ABB's offer also includes non-fusible DC switches from 16–600 A specifically designed for solar applications, heavy duty safety switches (30–1200 A) and general duty enclosed switches, both fusible (30–800 A) and non-fusible (16–2000 A).

Compact size

The non-fusible disconnect switches' compact dimensions allow panel size reduction in new applications or easily retrofit into space-sensitive existing installations. The fusible disconnect occupies only little more panel space than the appropriate fuses.

General information

International acceptance

UL listed, CSA approved, IEC rated, CE marked, and most other international standards.

UL98 (CSA 22.2 No.4) — UL File # E101914, CSA File #58077
For OT30-OT1200, OS30-1200 and OETL_ switches with pistol grip handles

Suitable for use as motor disconnects or industrial control panel disconnects on service entrance equipment, panelboards, switchboards, industrial control equipment, motor control centers, etc. and are horsepower and ampere rated.

UL508 (CSA 22.2 No. 14) — UL File # E63822, CSA File #58077
For OT16 – OT80 switches, OH_ selector handles

Suitable for use in equipment or machinery as motor controllers & motor disconnects and are horsepower and ampere rated.

IEC

Tested in accordance to IEC 60947-1 and 3.

CE

Compliance with the European Machine Directive IEC/EN 60204.

Installation options

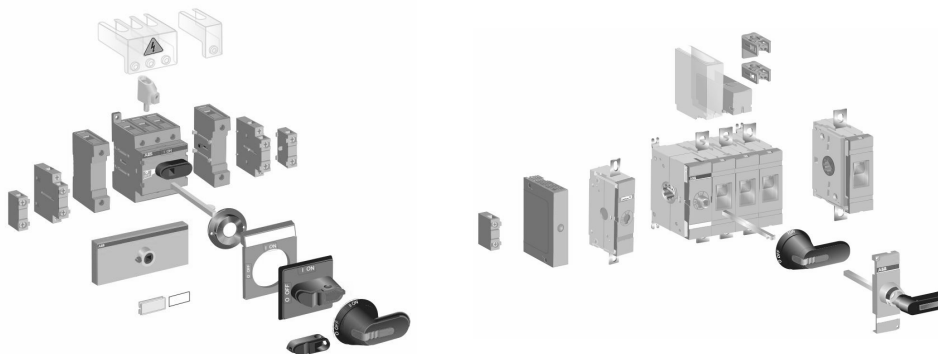
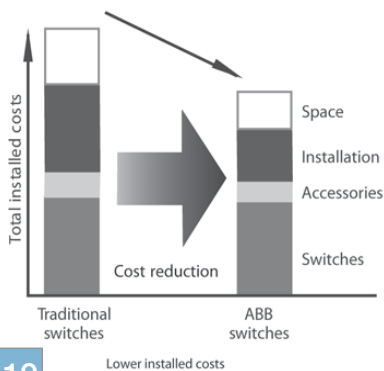
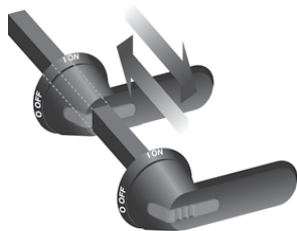
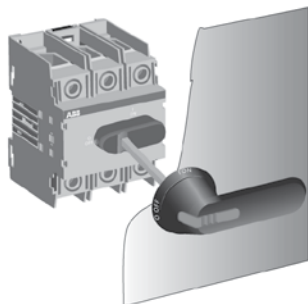
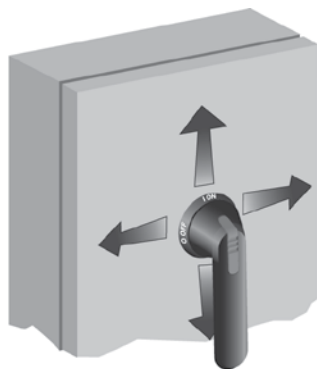
Rotary through the door: available in all sizes, non-fusible 16-2000 A; fusible 30-1200 A
Flange: versions available in 30-1200 A sizes.

A rotary disconnect may be installed nearly anywhere in a control panel — mounting is not limited to the upper right hand corner of the panel.

Mount the disconnect where it conveniently fits in your panel and simply install the handle on the door, in line with the disconnect. The disconnect and handle are mechanically linked through an easily adjusted shaft. This allows fast and easy installation into panels of different depths and layouts.

Broad range of accessories

- Handles — UL/NEMA type 1, 3R, 12, 4, 4X; IP54, 65, 66
- Auxiliary contacts available for every disconnect size
- Additional power poles
- Additional terminal poles (neutrals & grounds)
- Terminal shrouds
- 6 & 8 pole mechanisms
- Transfer mechanisms
- Bypass mechanisms
- Mechanical interlock mechanisms
- Electro-mechanical interlock mechanisms

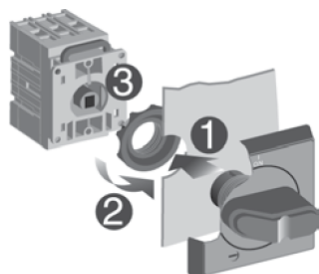


General information

Mounting

Disconnect switches offer several mounting possibilities:

- Door mounting on an enclosure door or sidewall for non-fusible, 16 - 100 A
- DIN rail mounting for non-fusible, 16 - 200 A; and fusible, 30 - 100 A
- Base mounting with screws for all disconnect sizes
- Adjustable mounting feet for non-fusible, 200 - 1200 A, and fusible 60 - 1200 A



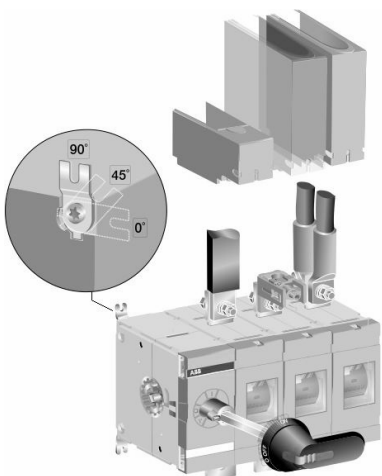
Door mounting



DIN rail mounting

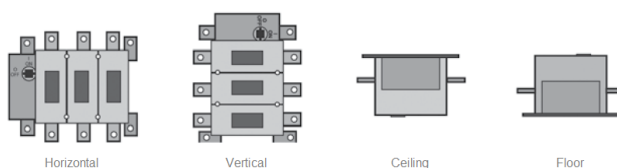


Base screw mounting



Mounting positions

Disconnect switches offer several mounting possibilities:



Terminal connections

Versatile connecting possibilities for non-fusible and fusible switches

- Ring tongue crimp on lugs
- Direct bus
- Terminal lugs

Finger proof

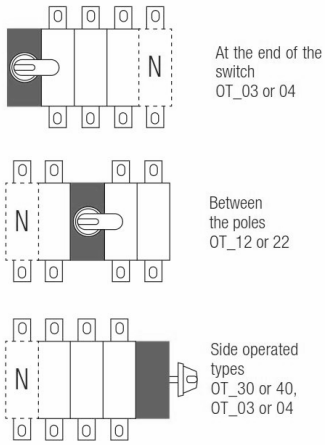
Dead-front construction plus terminal shrouds reduce the risk of touching live parts, improving safety and reliability of the installation

Incoming power feed

Disconnect switches can be used equally well with either top or bottom incoming power feed.



Disconnect switches



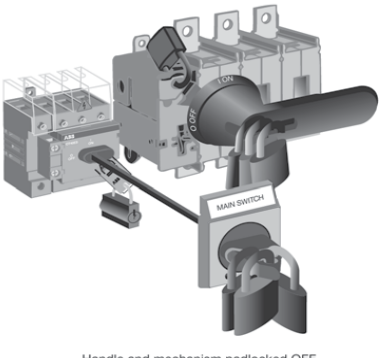
General information

Modular construction

Different pole configurations make it easy to install the disconnect inside the enclosures as well as enhance the external operation through the pistol handles.

Door interlock

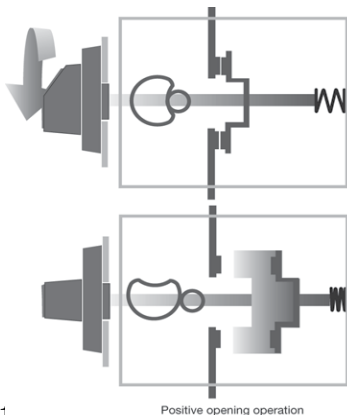
The handle and shaft provide a door interlock; the door cannot be opened when the switch is in the "ON" position. NOTE: Some handles provide a method for qualified personnel to circumvent the door interlock. This is commonly referred to as a "defeater" mechanism.



Padlockable

Handles can be padlocked in the "OFF" position with up to three padlocks. Additionally - with a direct mount handle - the switch mechanism can be directly padlocked in the "OFF" position when the door is open. NOTE: Some handles can be ordered with the ability to padlock in both the "ON" & "OFF" positions, please consult your ABB sales office.

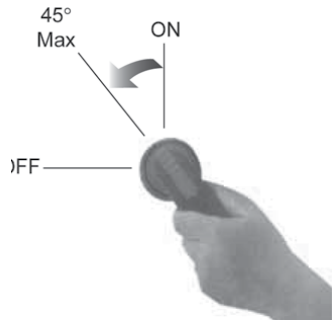
19



Positive opening operation

All switches operate according to the "positive opening operation" principle. This means the contacts are opened and closed by a driven mechanism, a solid moving bridge, not merely springs. This provides reliable position indication to the user; if the disconnect is in the "OFF" position, the contacts are open.

General information



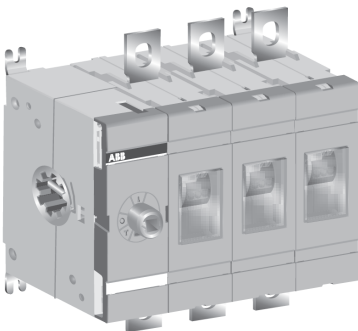
Welded contact protection

Positive opening operation safeguards users in case of welded contacts caused by an overload or short circuit. The handle cannot reach the “OFF” position unless the contacts are truly open. If any or all of the contacts are welded shut, the disconnect mechanism will only allow the handle to operate a maximum of 45°. This safeguards personnel by:

- Alerting them a problem has occurred
- Maintaining the door interlock and
- Not allowing a padlock to be inserted

Clear position indication

All disconnects and handles have clear “ON” and “OFF” designations. Whether the door is open or closed, it is possible to simply look at the disconnect and determine if it is “ON” or “OFF”.



Visible blades

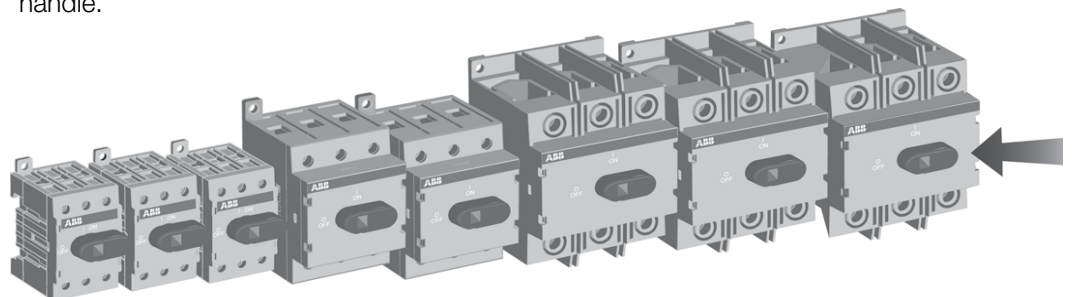
Visible blades offer additional safety for non-fusible switches, 200 - 1200 A

Track resistant material

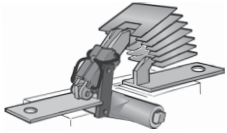
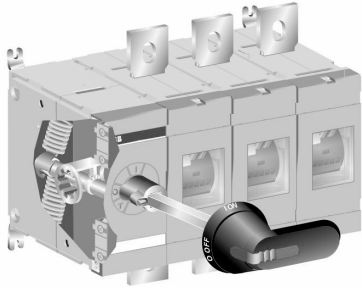
Excellent track resistant material reduces the risk of flash-over between phases in even the most severe circumstances.

Constant control for non-fusible disconnect switches

The OT16 to OT100 provide the user with constant control over the power circuit. Whether the enclosure door is open or closed, qualified personnel have the ability to manually operate the disconnect. This is most meaningful when qualified personnel are working with the enclosure door open: In case of an emergency down-stream, the main three phase power can be disconnected immediately using the black, direct mounted handle.

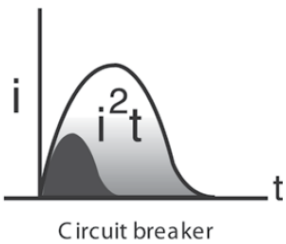
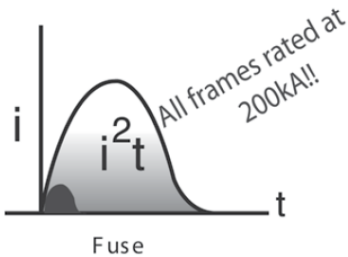


General information



High performance

The mechanism is quick-make/quick-break, meaning the contacts operate independently of the speed and force at which the handle is operated. This, in combination with unique, patented self-cleaning contacts, provides a long, reliable, electrical life.



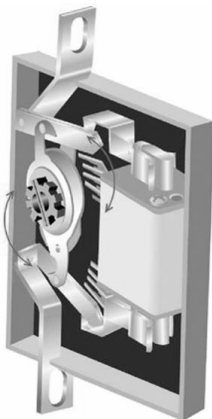
Superior short circuit protection

Fuses efficiently limit the peak let-through current, i^2t , during a fault better than any other product, contributing to safety and reliability. Selectivity and coordination are easily accomplished with fused protection. Fusible disconnect switches accept a wide range of fuses:

- Class CC 30A
- Class J 30 – 600 A
- Class L 800 – 1200 A

Fuse isolation

Fused switches have contacts on both sides of the fuse. The fuses are totally isolated in the “OFF” position, reducing the risk of electric shock to authorized personnel — even if the disconnect is being back fed.



Non-fusible Disconnect switches



Non-fusible disconnect switches, open style

16 - 2000 A, 600 VAC

16 - 32 A, 600 VDC

100 - 600 A, 1000 VDC

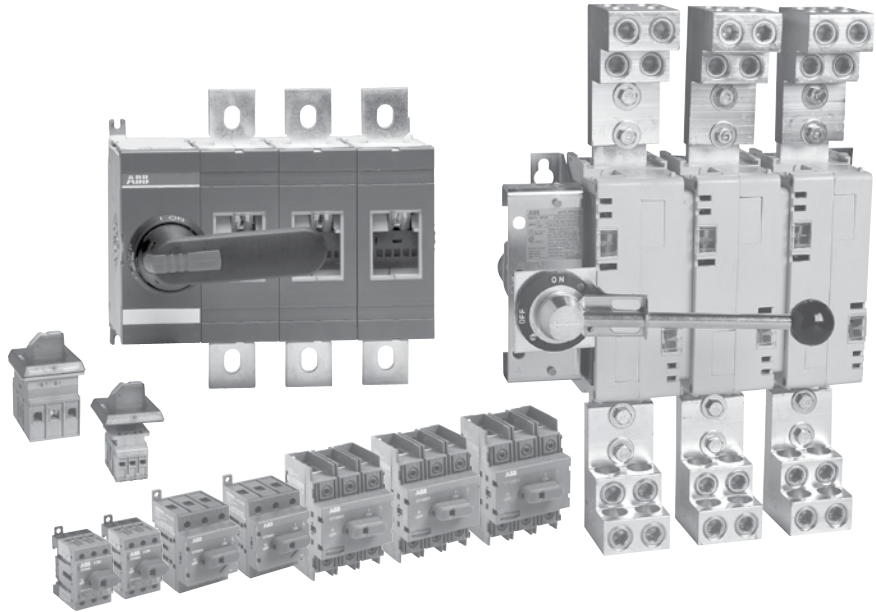


ABB disconnect switch family includes several different amperage sizes from 16 to 2000 A. The basic construction provides flexibility, safety, and high performance in an extremely compact size. ABB SwitchLine is a perfect choice for all switching applications from industrial motor control to construction safety switches.

International acceptance

UL listed, CSA approved, IEC rated, CE marked, and most other international standards.

UL98 (CSA 22.2 No.4) – UL File # E101914, CSA File #58077

For OT30, OT60, OT100, OT200, OT400, OT600, OT800, OT1200

OETL-NF1600, OETL-NF2000 switches, OH_ pistol grip handles

Suitable for use as motor disconnects or industrial control panel disconnects on service entrance equipment, panelboards, switchboards, industrial control equipment, motor control centers, etc. and while being horsepower and ampere rated.

UL508 (CSA 22.2 No. 14) – UL File # E63822, CSA File #58077

For OT16 – 80 switches, OH_ selector handles

Suitable for use in equipment or machinery as motor controllers & motor disconnects, horsepower and ampere rated.

IEC

Tested in accordance to IEC 60947-1 and 60947-3.

CE

Compliance with the European Machine Directive IEC/EN 60204.

For a complete offer including other standards such as IEC, visit:

<http://new.abb.com/low-voltage/products/switches>

Disconnect
switches
Non-fusible

General information

Selection guide

OT16 – 100



OT16F3 OT25F3 OT40F3

OT63F3 OT80F3

OT30F3 OT60F3 OT100F3

Catalog number	3 pole	OT16F3	OT25F3	OT40F3	OT63F3	OT80F3	OT30F3	OT60F3	OT100F3
General purpose amp rating	A	20	30	40	60	80	30	60	100
Approvals ①									
	2 pole	N/A	N/A	N/A	N/A	N/A	N/A	N/A	N/A
	3 pole	UL508 & IEC	UL508 & IEC	UL508 & IEC	UL508 & IEC	UL508 & IEC	UL98 & IEC	UL98 & IEC	UL98 & IEC
	4 pole	UL508 & IEC	UL508 & IEC	UL508 & IEC	UL508 & IEC	UL508 & IEC	UL98 & IEC	UL98 & IEC	UL98 & IEC
Technical ratings – UL, CSA ②									
Max operating voltage	V	600	600	600	600	600	600	600	600
Max horsepower rating									
Three phase									
240V	HP	5	7.5	10	15	20	10	20	30
480V	HP	10	15	20	30	40	20	40	50
600V	HP	10	20	25	30	40	30	40	50
Single phase									
120V	HP	1	1.5	2	2	2	2	3	5
240V	HP	2	3	5	7.5	10	5	7.5	15
Technical ratings – IEC ③									
Rated insulation and operational voltage. AC20 and DC20	V	750	750	750	750	750	750	750	750
Rated thermal current, I _n									
AC 20/DC 20 open	A	25	32	40	63	80	40	63	115
AC 20/DC 20 enclosed	A	25	32	40	63	80	40	63	115
AC 21A ≤500V	A	16	25	40	63	80	40	63	100
AC 21A ≤690V	A	16	25	40	63	80	40	63	100
Rated operational power AC23									
400/415V	kW	7.5	9	11	22	37	15	18.5	37
690V	kW	7.5	9	11	15	18.5	15	15	37
Physical characteristics									
Weight ④	3 pole	lb	0.24	0.24	0.24	0.59	0.59	0.79	0.79
Dimension	3 pole								
	H	in	2.68	2.68	2.68	3.60	3.60	3.94	3.94
	W	in	1.38	1.38	1.38	2.07	2.07	2.76	2.76
	D	in	2.20	2.20	2.20	2.85	2.85	2.95	2.95
Accessories									
Terminal lug kit		Integral	Integral	Integral	Integral	Integral	Integral	Integral	Integral
Terminal shroud		•	•	•	•	•	•	•	•
Auxiliary contact		•	•	•	•	•	•	•	•
Shaft/handle diameter		6mm .24" x .24"	6mm .24" x .24"	6mm .24" x .24"	6mm .24" x .24"	6mm .24" x .24"	6mm .24" x .24"	6mm .24" x .24"	6mm .24" x .24"
Handle UL/NEMA type									
Type 1, 3R, 12		•	•	•	•	•	•	•	•
Type 1, 3R, 4, 4X, 12		•	•	•	•	•	•	•	•
Handle type									
Selector		•	•	•	•	•	—	•	—
Pistol		•	•	•	•	•	•	•	•
Recommended pistol handle length		45 - 65mm	45 - 65mm	45 - 65mm	45 - 65mm	45 - 65mm	45 - 65mm	45 - 65mm	45 - 65mm
Maximum recommended shaft length		290mm	290mm	290mm	290mm	290mm	290mm	290mm	290mm
Conversion kits									
6 pole		•	•	•	•	•	•	•	•
Transfer		•	•	•	•	•	•	•	•
Bypass		•	•	•	•	•	•	•	•
Mechanical interlock		•	•	•	•	•	•	•	•
Electrical interlock		—	—	—	—	—	—	—	—

• = Available
— = Not available

① UL listed switches are also listed for CSA Standards.
② For complete technical information please see pages 19.50-19.14.
③ Disconnect only.

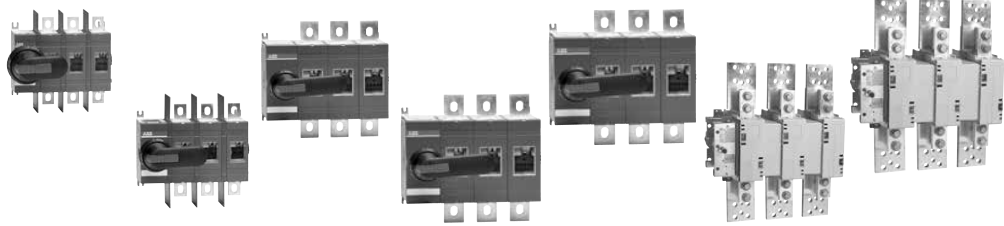
Disconnect
switches
Non-fusible

General information

Selection guide

OT200 - 1200

OETL-NF1600 - 2000



OT200U03 OT400U03 OT600U03 OT800U03 OT1200U03 OETL-NF1600SW OETL-NF2000SW

Catalog number	3 pole	OT200U03	OT400U03	OT600U03	OT800U03	OT1200U03	OETL-NF1600SW	OETL-NF2000SW
General purpose amp rating	A	200	400	600	800	1200	1600	2000
Approvals ①		UL98 & IEC UL98 & IEC UL98 & IEC	UL98 & IEC UL98 & IEC UL98 & IEC	UL98 & IEC UL98 & IEC UL98 & IEC	UL98 & IEC UL98 & IEC UL98 & IEC	UL98 & IEC UL98 & IEC UL98 & IEC	UL98 & IEC UL98 & IEC UL98 & IEC	UL98 & IEC UL98 & IEC UL98 & IEC
Technical ratings – UL, CSA ②								
Max operating voltage	V	600	600	600	600	600	600	480
Max horsepower rating								
Three phase								
240V	HP	75	125	200	200	—	—	—
480V	HP	150	250	450	500	—	—	—
600V	HP	200	350	500	500	—	—	—
Single phase								
120V	HP	—	—	—	—	—	—	—
240V	HP	—	—	—	—	—	—	—
Technical ratings – IEC ③								
Rated insulation and operational voltage, AC20 and DC20	V	1000	1000	1000	1000	1000	1000	1000
Rated thermal current, I _{th}								
AC 20/DC 20 open	A	250	400	800	1250	1600	2500	2500
AC 20/DC 20 enclosed	A	250	400	800	1250	1600	2300	2300
AC 21A ≤500V	A	250	400	800	1250	1600	2500④	2500④
≤690V	A	250	400	800	1250	1600	2500④	2500④
Rated operational power AC23								
400/415V	kW	140	220	450	710	710	400	400
690V	kW	250	400	800	1200	1200	—	—
Physical characteristics								
Weight ④ 3 pole	lb	2.9	5.7	11.4	35.9	38.55	127.7	127.7
Dimension 3 pole								
H in		6.69	8.66	10	19.09	19.09	25.04	25.04
W in		6.67	8.7	10.64	14.29	14.29	18.43	18.43
D in		3.30	3.35	5.56	4.92	4.92	10.67	10.67
Accessories								
Terminal lug kit		OZXA-200	OZXA-400	OZXA-800	OZXA-1200	OZXA-1200	OZXA-28	OZXA-28/2
Terminal shroud		•	•	•	•	•	—	—
Auxiliary contact		•	•	•	•	•	•	•
Shaft/handle diameter		6mm .24" x .24"	12mm .47" x .47"	12mm .47" x .47"	12mm .47" x .47"	12mm .47" x .47"	12mm .47" x .47"	12mm .47" x .47"
Handle UL/NEMA type								
Type 1, 3R, 12		•	•	•	•	•	•	•
Type 1, 3R, 4, 4X, 12		•	•	•	•	•	•	•
Handle type								
Selector		—	—	—	—	—	—	—
Pistol		•	•	•	•	•	•	•
Recommended pistol handle length		65 - 80mm	125 - 175mm	125 - 175mm	125 - 175mm	125 - 175mm	125 - 175mm	125 - 175mm
Maximum recommended shaft length		290mm	595mm	595mm	595mm	595mm	595mm	595mm
Conversion kits								
6 pole		•	•	•	•	•	—	—
Transfer		•	•	•	•	•	—	—
Bypass		•	•	•	•	•	—	—
Mechanical interlock		•	•	•	•	•	•	•
Electrical interlock		•	•	•	•	•	•	•

S = Standard feature
• = Available
— = Not available

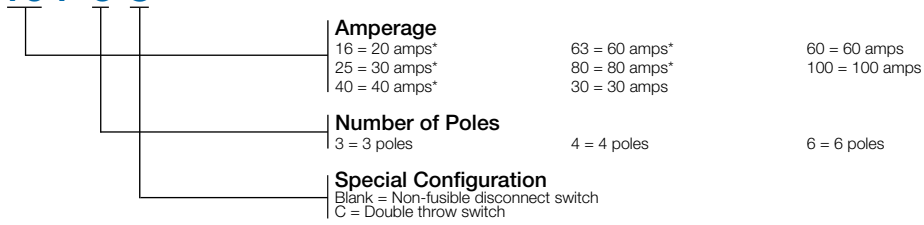
① UL listed switches are also listed for CSA standards.
② For complete technical information please see pages 19.50-19.74.
③ Disconnect only.
④ IEC 947-3 Utilization Category B, Infrequent operation.

Selection information

Standard part number designation ①

Non-Fusible OT Switches (16 to 100A)

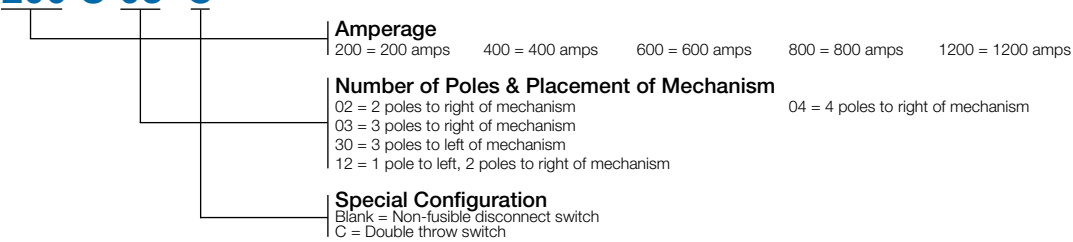
OT 16 F 3 C



*cULus 508 listed switches. OT30_, OT60_ and OT100_ are cULus 98 listed

Non-Fusible OT Switches (200A and above)

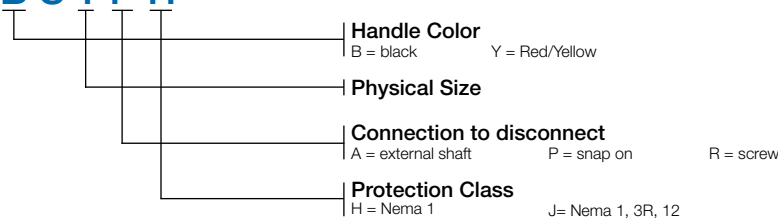
OT 200 U 03 C



All OT200U_, OT400U_, OT600U_, _OT800U_ and OT1200U_ switches are cULus 98 listed.

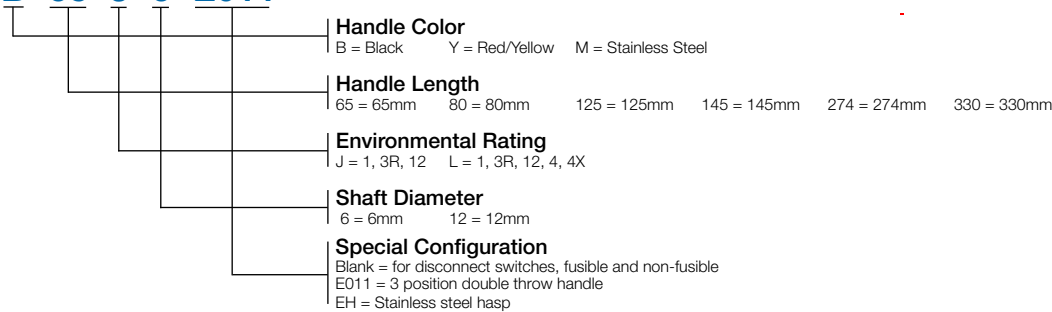
Selector Handles

OHB S 1 P H



Pistol Handles

OHB 65 J 6 E011



① Part designation keys are provided for reference only. Not all variations or configurations are available.

Base & DIN rail mounted ① 16 - 2000 A

Disconnect
switches
Non-fusible

For a complete assembly,
please select one of each:

- 1 disconnect (page 19.11)
- 1 handle (page 19.30)
- 1 shaft (page 19.32)
- 1 terminal lug kit (page 19.34)



NOTE: For additional accessories, see
pages 19.29 - 19.40.

(Lug kits only necessary on switches 200A and above)

UL Standard	UL general purpose amp rating	Disconnect OT_F_ OT_U_			
		2 Pole	3 Pole	4 Pole ②	6 Pole ③
		Catalog number	Catalog number	Catalog number	Catalog number
UL 508	20	—	OT16F3	②	OT16F6
	30	—	OT25F3		OT25F6
	40	—	OT40F3		OT40F6
	60	—	OT63F3		OT63F6
	80	—	OT80F3		OT80F6
UL 98	30	—	OT30F3	②	OT30F6
	60	—	OT60F3		OT60F6
	100	—	OT100F3		OT100F6
	200 ④	OT200U02	OT200U03 OT200U30 OT200U12	OT200U04	— — —
	400	OT400U02	OT400U03 OT400U30 OT400U12	OT400U04	— — —
	600	OT600U02	OT600U03	OT600U04	—
	800	OT800U02	OT800U03	OT800U04	—
	1200	OT1200U02	OT1200U03	OT1200U04	—
	1600 ④	OETL-NF16002SW	OETL-NF1600SW	OETL-NF16004SW	—
2000 ④	OETL-NF20002SW	OETL-NF2000SW	OETL-NF20004SW	—	

Bulk packed 3 Pole, 600 VAC Switches - order quantity is 1 for bulk package

UL Standard	UL general purpose amp rating	Bulk pack Quantity	Catalog number
UL508	20	50	OT16F3/B50
	30	50	OT25F3/B50
	40	50	OT40F3/B50
	60	50	OT63F3/B50
	80	50	OT80F3/B50
UL98	30	25	OT30F3/B25
	60	25	OT60F3/B25
	100	25	OT100F3/B25

① Above 200A, base mount with screws only.

② A snap on fourth pole may be added on 16-100A switches. See page 19.36.

③ For a 6 or 8 pole switch 200 A and above, a conversion mechanism accessory kit can be used with two 3 or 4 pole switches. See page 19.39.

④ Vertical busbar provided as standard on OETL-NF1600-OETL-2000 switches. For alternate back or edgewise mounting busbar, see page 19.38.

⑤ DIN rail mounting required adaptor OSGZD1

Door mounted ① 16 - 100 A

For a complete assembly,
please select one of each: ②

1 disconnect (page 19.12)
1 handle (page 19.31)

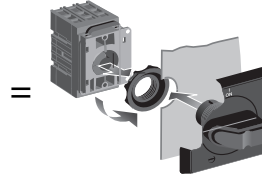
NOTE: For additional accessories, see
pages 19.29 - 19.40.



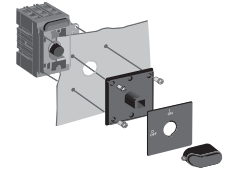
Disconnect
OT_FT_



Handle
OH_S_



Snap-on mounted
handle



Screw mounted
handle



OT_FT

UL Standard	UL general purpose amp rating	3 Pole	4 Pole
		Catalog number	Catalog number
UL508	20	OT16FT3	See page 19.36 for fourth poles
	30	OT25FT3	
	40	OT40FT3	
	60	OT63FT3	
UL98	80	OT80FT3	
	30	OT30FT3	
	60	OT60FT3	
	100	OT100FT3	

Bulk packed 3 Pole, 600 VAC Switches - order quantity is 1 for bulk package

UL Standard	UL general purpose amp rating	Bulk pack Quantity	Catalog number
UL508	20	50	OT16FT3/B50
	30	50	OT25FT3/B50
	40	50	OT40FT3/B50
	60	50	OT63FT3/B50
	80	50	OT80FT3/B50
UL98	30	25	OT30FT3/B25
	60	25	OT60FT3/B25
	100	25	OT100FT3/B25

① Door mounted switches do not provide door interlock
② Door mounted switches do not require shafts

Disconnect
switches
Non-fusible

Special configuration

Side operated

30 - 100 A

For a complete assembly,
please select one of each:

- 1 disconnect
- 1 handle
- 1 shaft
- 1 terminal lug kit ①



Disconnect
OSNF_-S



Handle
OH_J_E00S



Shaft
OXP_X_



OSNF30-S



OH_J_



OXP6_X_



OZXA-24

Side operated disconnects — 3 pole

UL general purpose amp rating	Maximum horsepower rating					Weight (Lbs.)	Catalog number
	Three phase						
	200V	208V	240V	480V	600V		
30	5	7.5	7.5	15	20	1.90	OSNF30-S ②
60	15	15	15	30	50	3.90	OSNF60-S ②
100	25	25	30	60	75	4.50	OSNF100-S ②

Handles

UL/NEMA type	Color	Length inches/mm	Marking	Defeatable	Padlockable	Weight (Lbs.)	Catalog number
--------------	-------	---------------------	---------	------------	-------------	------------------	-------------------

For use with OSNF30-S

1, 12, 3R	Black Red/Yel	2.65/65	O/I & Off/On	Yes	Yes	0.29	OHB65J6E00S OHY65J6E00S
-----------	------------------	---------	--------------	-----	-----	------	----------------------------

For use with OSNF60-S — OSNF100-S

1, 12, 3R	Black Red/Yel	3.1/80	O/I & Off/On	Yes	Yes	0.30	OHB80J6E00S OHY80J6E00S
-----------	------------------	--------	--------------	-----	-----	------	----------------------------

Shafts

For use with:	Length (Inches/mm)	Description	Weight (Lbs.)	Catalog number
OSNF30-S	6.7/170	.24 x .24" (6 x 6mm)	0.08	OXP6X170
OSNF60-S – OSNF100-S	8.3/210	.24 x .24" (6 x 6mm)	0.10	OXP6X210

Terminal lug kits

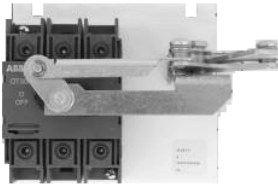
For use with:	Wire size	Weight	Wire type	Lugs per kit	Catalog number
OSNF30-S	#18 – 8	—	Cu	—	Integral
OSNF60-S	#14 – 4	—	Cu	—	Integral
OSNF100-S	#14 – 2/0	0.43	Cu/Al	6	OZXA-24

- ① For 100 A disconnect only
- ② Fusible switches with solid links installed

Special configurations

Shaft operated flange

30 - 100 A



Disconnect Assembly
OT_F3-F

+



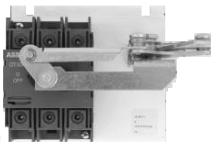
Handle
DSFHN_

+



Shaft
OTFS_

Flange operated (Shaft) - 3 poles



OT_F-F

UL general purpose amp rating	Catalog number
30	OT30F3-F
60	OT60F3-F
100	OT100F3-F

Flange handles — for use with OT30, OT60, OT100



UL/ NEMA type	Marking	Defeatable	Padlockable	Catalog number
1, 3R, 12	OFF/ON	No	Yes	DSFHN-HS12
4, 4X	OFF/ON	No	Yes	DSFHN-HS4



DSFHN-HS_

Shafts

For use with:	Maximum enclosure depth (inches)	Catalog number
OT30 - OT100F3	16 24	OTFS-16 OTFS-24



OTFS_

Flange operated fusible and non-fusible disconnect switches

ABB's solutions comply with NFPA79 requirements for Flange Operated Fusible and Non-fusible Disconnect Switches.

NFPA 79 requires main disconnecting means to be operable without the use of accessory tools or devices, independent of door position. This code also includes an interlocking provision to prevent the closing of disconnects while the enclosure door is open, unless an interlock is operated by a deliberate action.

The flange operated disconnect switches are available as ridged shaft or flexible cable operated versions. The cable operated version allows you to install the disconnect switch virtually anywhere in the enclosure depending on the length of the cable. Cables are available in lengths up to 84 inches.

The designs are cost-effective NFPA 79 solutions offering quick and easy installation.

Disconnect
switches
Non-fusible

Special configurations

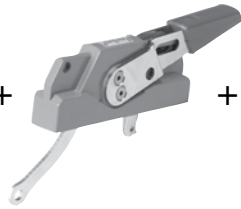
Cable operated flange

30 - 1200 A



Switch

+



Handle

+



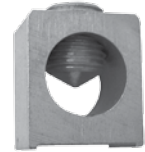
Cable

+



Operating mechanism ②

+



Lug kit ①

Flange Operated (cable) - 3 poles



OT_F3

UL general purpose amp rating	Catalog number
30	OT30F3
60	OT60F3
100	OT100F3
200	OT200U30
200	OT200U03 ②
400	OT400U30-FC ③
600	OT600U30-FC ③
800	OETL-NF800A-FC ③
1200	OETL-NF1200-FC ③



OHF1C12

Flange handles — UL98; UL file #E10191

For use with:	Environmental rating	Catalog number
OT30 - 100F3, OT200U30/03	NEMA 1, 3R, 12	OHF1C12
	NEMA 4, 4X	OHF1C4
OT400U30-FC, OT600U30-FC, OETL-NF800-FC, OETL-NF1200-FC	NEMA 1, 3R, 12	K7FCH
	NEMA 4, 4X	K7FCH4



OXC1L_

Flexible cables

For use with:	Cable length (inches)	Catalog number
OT30 - 100F3, OT200U30/03	36	OXC1L36
	48	OXC1L48
	60	OXC1L60
	72	OXC1L72
	84	OXC1L84
OT400U30-FC, OT600U30-FC, OETL-NF800-FC, OETL-NF1200-FC	48	K7C048
	60	K7C060
	72	K7C072
	84	K7C084

Operating mechanisms

For use with:	Catalog number
OT30 - 100F3	MKCS1
OT200U30, OT200U03 ②	MKCS4
OT400U30-FC, OT600U30-FC, OETL-NF800-FC, OETL-NF1200-FC	Included

① For disconnects above 100 A
 ② Rotate the OT_03 disconnect 180 degrees to mount on the operating mechanism
 ③ Operating mechanism required for OT30-200. Not required for OT400-1200 (included)

Special configurations

Accessories for flange operated disconnects

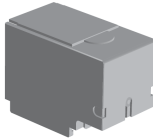
30 - 1200 A

Terminal lug kits

For use with	Wire size	Wire type	Description	Lugs per kit	Catalog number
OT200U30	#4 - 300 kcmil	Cu/Al	-	6	OZXA-200
OT400U30-FC	#2 - 600 kcmil	Cu/Al	-	6	OZXA-400
OT600U30-FC	(2) #2 - 600 kcmil	Cu/Al	-	6	OZXA-800
OETL-NF800-FC	(2) #2 - 600 kcmil	Cu/Al	-	6	OZXA-30
OETL-NF1200-FC	(4) #2-600 kcmil	Cu/Al	-	6	OZXA-28



OTS_L_



OTS_S_



OTS_03

Terminal shrouds

For use with	Description, qty per kit	For full protection order	Weight (lbs.)	Catalog number
OT30 - OT100	3 Pole shroud, 1 pc	2 kits	0.02	OTS125T3
OT200	Single Pole Long Type Shroud, 3 pcs	2 kits	0.2	OTS250G1L/3
OT200	Single Pole Short Type Shroud, 3 pcs	2 kits	0.13	OTS250G1S/3
OT400U30-FC	3 pole shroud, 1 pc	2 kits	0.13	OTS403
OT600U30-FC	3 pole shroud, 1 pc	2 kits	0.11	OTS603
OETL-NF800	3 Pole shroud, 2 pcs	1 kit	0.88	OETL-2X800A
OETL-NF1200	3 Pole shroud, 2 pcs	1 kit	1.2	OETL-2X119

Door hardware NEMA 12

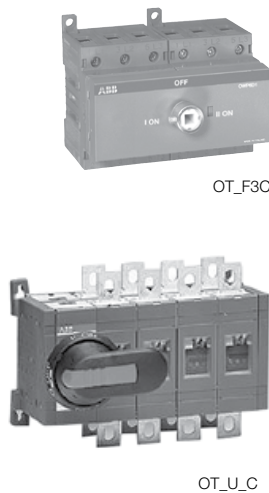
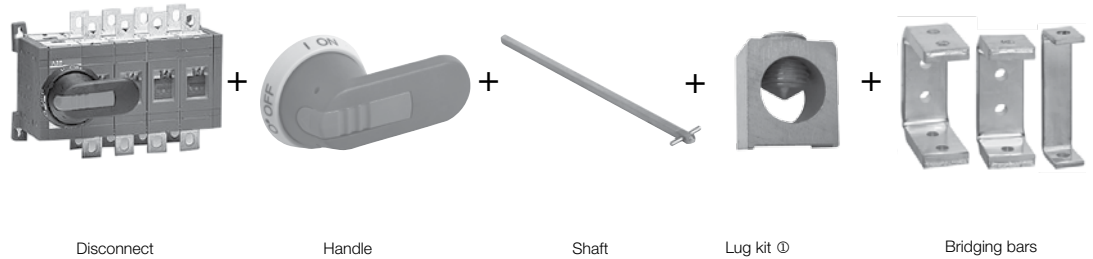
Item	Catalog number
Safety door latch, 2 points, door less than 40" high	KDH2R
Safety door latch, 3 points, door greater than 40" high	KDH3R

Special configuration

Double throw disconnects 16 - 800 A

For a complete assembly,
please select one of each:
1 disconnects (page 19.17)
1 handle (page 19.30)
1 shaft (page 19.32)
1 terminal lug kit (page 19.34)
1 bridging bar (page 19.17)

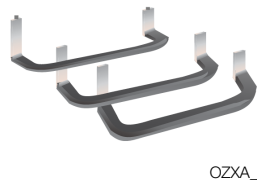
NOTE: For additional accessories, see
pages 19.29 - 19.40



UL only	UL general purpose amp rating	3 Pole	4 Pole ②
		Catalog number	Catalog number
UL508	20	OT16F3C	—
	30	OT25F3C	—
	40	OT40F3C	—
	60	OT63F3C	—
	80	OT80F3C	—
UL98	30	OT30F3C	—
	60	OT60F3C	—
	100	OT100F3C	—
	200	OT200U03C OT200U30C	OT200U04C
	400	OT400U03C OT400U30C	OT400U04C
	600	OT600U03C	OT600U04C
	800	OT800U03C	OT800U04C

Parallel connection kits / jumpers

Required for OT16_C through OT100_C



Description	For use with:	Catalog number
3 Pole Kit	OT16...40F3C	OZXA33
	OT63...80F3C	OZXA38
	OT30F3C, OT60F3C, OT100F3C	OZXA40
4 Pole kit	OT16...40F3C + 4th pole	OZXA32
	OT63...80F3C + 4th pole	OZXA39
	OT30...100F3C + 4th pole	OZXA41

Bridging busbar kits

Required for OT200_C through OT800_C



Description	For use with:	Catalog number
3 Pole Kit	OT200_C	OTZC13
	OT400_C	OTZC23
	OT600_C	OTZC33
	OT800_C	OTZC53
4 Pole kit	OT200_C	OTZC14
	OT400_C	OTZC24
	OT600_C	OTZC34
	OT800_C	OTZC54

Bridging bars are required on 200-600A double throw switches to operate as standard double throw switches. Otherwise, they will operate as two mechanically interlocked switches.

① For disconnects above 100 A

② A snap on power pole may be added to build a 4 pole 16-100A double throw switch. See page 19.36

OTDC Solar disconnect switches 16 - 32 A, 600 VDC

OTDC_, base or DIN-rail mounting, UL508i ①

Touch-safe IP20 protected terminal clamps included. Types OTDC16...32US include pre-mounted short circuit link OEZXY86. Shafts and handles to be ordered separately.



OTDC16US2

Single circuit (2 poles in series)

Number of poles	Rating [A]	Catalogue Number	Handle & Shaft diam.	Weight (lbs)
	UL508i 600 VDC			
2	16	OTDC16US2	6 mm	0.33
2	25	OTDC25US2	6 mm	0.33



OTDC16US4

Double circuit (2 x 2 poles in series)

Number of poles	Rating [A]	Catalogue Number	Handle & Shaft diam.	Weight (lbs)
	UL508i 600 VDC			
4	16	OTDC16US4	6 mm	0.33
4	25	OTDC25US4	6 mm	0.33
4	32	OTDC32US4	6 mm	0.33

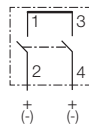


OTDC16US6

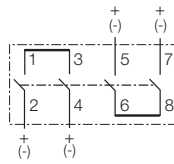
Triple circuit (3 x 2 poles in series)

Number of poles	Rating [A]	Catalogue Number	Handle & Shaft diam.	Weight (lbs)
	UL508i 600 VDC			
6	16	OTDC16US6	6 mm	0.33

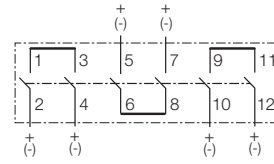
Wiring diagrams



OTDC_US2



OTDC_US4



OTDC_US6

① Door-mounted versions available. Please, consult ABB.
For handles and shafts, please refer to page 19.30

OTDC Solar disconnect switches

100 - 600 A, 1000 VDC

Disconnect
switches
Non-fusible

OTDC_, base mounting, UL98B

Shafts and handles are not included. Phase barriers are included if mandatory. Included terminal bolts: OTDC100...200: M8x25 - OTD250...320: M10x30 - OTDC400...600: M12x40 - Short circuit links/jumpers included and pre-mounted.



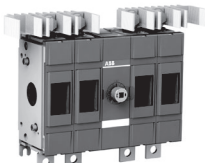
OTDC100...200US02



OTDC250...400US11



OTDC600USPP22



OTDC100...180US22



OTDC250...400US22

Single circuit, 1000 VDC

Number of poles	Rating [A] UL98B / 1000 V	Catalogue Number	Handle & Shaft diam.	Weight (lbs)	Recommended handle Pistol / Direct mount (K)
Front operated, mechanism at the end of the switch.					
2	100	OTDC100US02	6 mm	2.65	OHB80L6 / OTDV250EK
2	200	OTDC200US02	6 mm	2.65	
2	250	OTDC250US02	12 mm	9.70	OHB145L12 / OTDV400EK
2	320	OTDC320US02	12 mm	9.70	
2	400	OTDC400US02	12 mm	9.70	

Front operated, mechanism between the poles.

2	100	OTDC100US11	6 mm	2.65	OHB80L6 / OTDV250EK
2	200	OTDC200US11	6 mm	2.65	
2	250	OTDC250US11	12 mm	9.70	OHB145L12 / OTDV400EK
2	320	OTDC320US11	12 mm	9.70	
2	400	OTDC400US11	12 mm	9.70	
2	600	OTDC600USPP22	12 mm	17.41	OHB145L12 / OTDV400EK

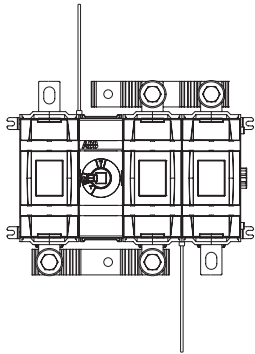
Double circuit and load side combining, 1000 VDC

Front operated, mechanism TVfl WW ba V6z					
2x2	100	OTDC100US22	6 mm	5.51	OHB80L6 / OTDV250EK
2x2	180	OTDC180US22	6 mm	5.51	
2x2	250	OTDC250US\$2	12 mm	14.55	OHB145L12 / OTDV400EK
2x2	320	OTDC320US22	12 mm	14.55	
2x2	400	OTDC400US22	12 mm	14.55	

Side operated versions are also available, please consult ABB.

OTDC Solar disconnect switches

250 - 400 A, 1500 VDC



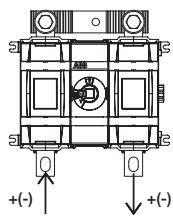
OTDC250...400USV12

Single circuit, 1500 VDC

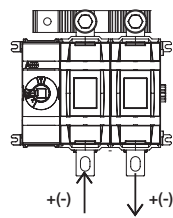
Number of poles	Rating [A] UL98B / 1500 V	Catalogue Number	Handle & Shaft diam.	Weight (lbs)	Recommended handle Pistol / Direct mount (K)
Front operated, mechanism TWfi WW ba W&Z					
3	250	OTDC250USV12	12 mm	12.56	OHB145L12 / OTDV400EK
3	320	OTDC320USV12	12 mm	12.56	
3	400	OTDC400USV12	12 mm	12.56	

Wiring diagrams

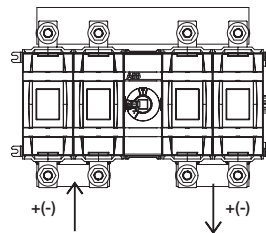
1000 VDC



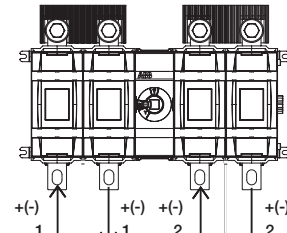
OTDC_US11



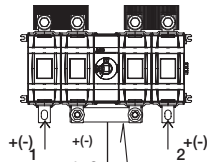
OTDC_US02



OTDC600USPP22



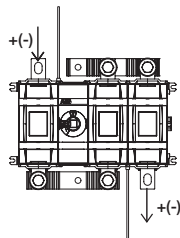
OTDC100...400US22



LOAD OTDCKIT400B101 for OTDC250...400US22, to be ordered separately

OTDC250...400US22

1500 VDC



OTDC250...400USV12

Fusible Disconnect switches



Fusible disconnect switches 30 – 1200 A, 600 VAC

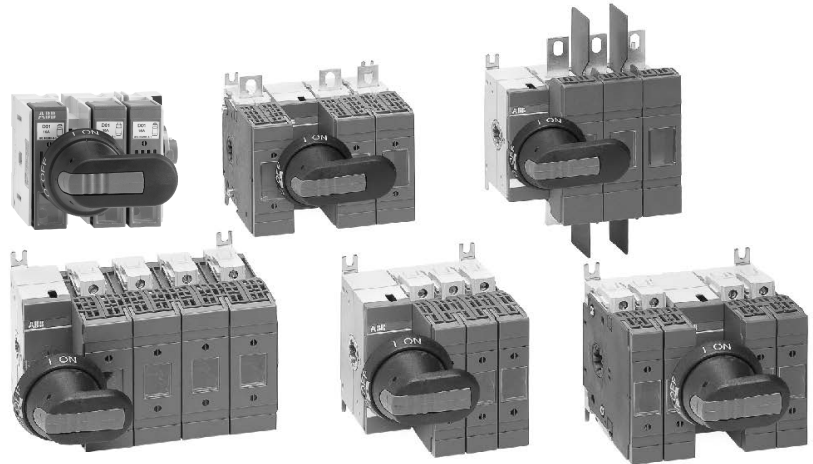


ABB disconnect switch family includes seven different amperage sizes from 30A to 1200A. All ABB fusible switches are designed to meet customer requirements in terms of high interrupting capacity and long electrical life while occupying only little more panel space than the appropriate fuses. The basic construction provides flexibility and high performance in an extremely compact size. ABB's disconnects are a perfect choice to withstand the heat and humidity of the tropics, the extreme cold of the arctic and any rugged industrial environment you may have.

International acceptance

ABB fusible switches are available with a wide range of fuse clip options:

UL	USA	CSA	Canada
DIN	Europe	BS	United Kingdom
NFC	France	Ultra-rapid	

As well as the corresponding approvals: UL listed, CSA approved, IEC rated, CE marked, and most other international standards.

UL98 (CSA 22.2 No.4) – UL File # E101914, CSA File #58077

For OS30 – 1200 switches, OH__ pistol grip handles

Suitable for use as motor disconnects or industrial control panel disconnects on service entrance equipment, panelboards, switchboards, industrial control equipment, motor control centers, etc. Horsepower and ampere rated.

IEC

Tested in accordance to IEC 60947-1 and 3

CE

Compliance with the European Machine Directive IEC/EN 60204

For a complete offer including other standards such as IEC, BS etc, visit:

<http://new.abb.com/low-voltage/products/switches>

Selection guide

OS30 – 1200



OS30FA_12 OS60GJ03 OS100GJ03 OS200J03 OS400J03 OS600J03 OS800L3 OS1200L3

Catalog number 3 pole			OS30FACC12	OS30FAJ12	OS60GJ12	OS100GJ03	OS200J03	OS400J03	OS600J03	OS800L3	OS1200L3	
General purpose amp rating			A	30	30	60	100	200	400	600	800	1200
Approvals ①			2 pole 3 pole 4 pole	N/A UL98 & IEC UL98 & IEC	N/A UL98 & IEC UL98 & IEC	UL98 & IEC UL98 & IEC UL98 & IEC	UL98 & IEC UL98 & IEC UL98 & IEC	UL98 & IEC UL98 & IEC UL98 & IEC	UL98 & IEC UL98 & IEC UL98 & IEC	UL98 & IEC UL98 & IEC UL98 & IEC	UL98 & IEC UL98 & IEC UL98 & IEC	
Technical ratings (UL, CSA)												
Max operating voltage			V	600	600	600	600	600	600	600	600	600
Max horsepower rating												
Three phase												
240V			HP	7.5	7.5	15	30	60	125	200	250	—
480V			HP	15	15	30	60	125	250	400	500	—
600V			HP	20	20	50	75	150	350	500	500	—
Single phase												
120V			HP	2	2	—	—	—	—	—	—	—
240V			HP	3	3	—	—	—	—	—	—	—
UL fuse class				CC	J	J	J	J	J	J	L	L
Technical ratings (IEC)												
Rated insulation and operational voltage, AC20 and DC20			V	1000	1000	1000	1000	1000	1000	1000	1000	1000
Rated thermal current, I _n												
AC 20/DC 20 open			A	32	32	63	160	200	400	630	800	1250
AC 20/DC 20 enclosed			A	32	32	63	160	200	400	570	720	1000
AC 21A ≤500V			A	32	32	63	160	200	400	630	800	1250
AC 21A ≤690V			A	32	32	63	160	200	400	630	800	1250
Rated operational power AC23												
400/415V			kW	15	15	30	75	110	230	355	450	560
690V			kW	22	22	55	132	200	400	630	710	1000
Physical characteristics												
Weight												
3 pole switch			lb	1.54	1.54	2.86	3.30	5.9	12.56	28.66	37.44	63.93
4 pole			lb	1.98	1.98	3.52	3.96	7.5	15.21	37.48	46.26	—
Dimension												
3 pole			H in	3.66	3.60	3.94	5.67	6.5	9.29	12.03	12.03	16.7
			W in	4.15	4.15	5.63	7.07	7.1	10.04	13.86	13.86	16.42
			D in	4.10	4.10	5.04	5.10	5.2	6.93	9.18	9.18	11.62
Accessories												
Double break contacts				S	S	S	S	S	S	S	S	S
Fuse cover				S	S	S	S	S	S	S	S	S
Terminal lug kit				Integral	Integral	Integral	OZXA-24	OZXA-200	OZXA-400	OZXA-800	OZXA-800	OZXA-1200
Terminal shroud				Not required	Not required	Not required	•	•	•	•	•	•
Auxiliary contact				•	•	•	•	•	•	•	•	•
Shaft/handle diameter				6mm .24 x .24"	6mm .24 x .24"	6mm .24 x .24"	6mm .24 x .24"	6mm .24 x .24"	12mm .47 x .47"	12mm .47 x .47"	12mm .47 x .47"	12mm .47 x .47"
Handle UL/NEMA type												
Type 1, 3R, 12				•	•	•	•	•	•	•	•	•
Type 1, 3R, 4, 4X, 12				•	•	•	•	•	•	•	•	•
Recommended pistol handle length				45 - 65mm 290mm	45 - 65mm 290mm	45 - 65mm 290mm	45 - 65mm 290mm	65 - 80mm 290mm	125 - 175mm 535mm	125 - 175mm 535mm	125 - 175mm 535mm	125 - 175mm 535mm
Maximum recommended shaft length				—	—	—	—	—	•	•	•	•
Electrical interlock				—	—	—	—	—	•	•	•	•

19

S = Standard
• = Available
— = Not available

① UL listed switches are also listed for CSA Standards.

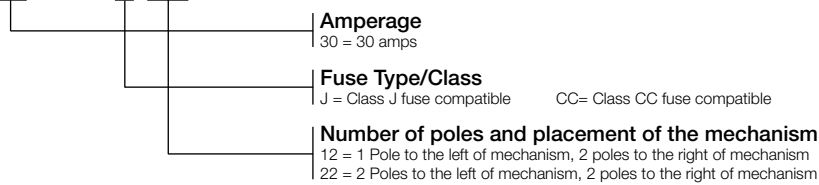
Selection information

Disconnect
switches
Fusible

Standard part number designation ①

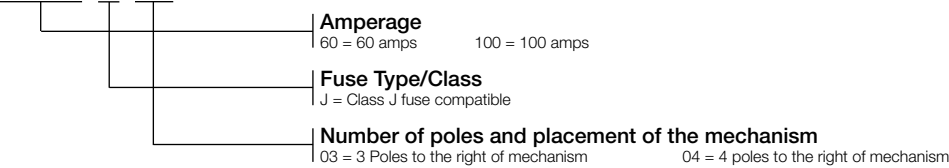
Fusible OS Switches (30A)

OS 30 F A J 22 F



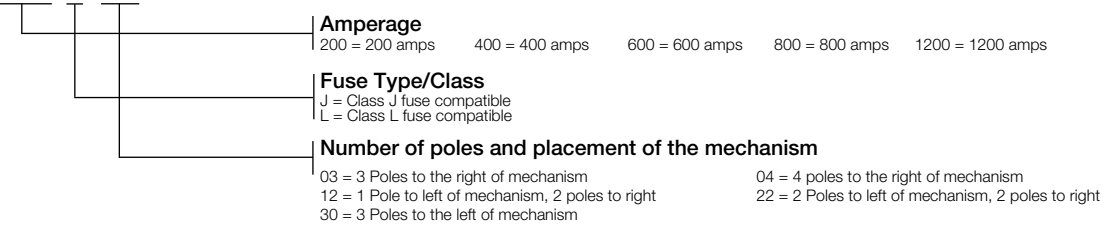
Fusible OS Switches (60 to 100A)

OS 100G J 03



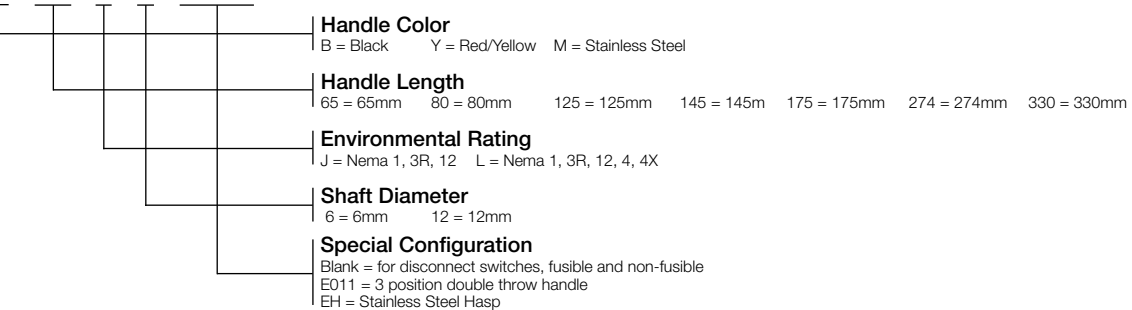
Fusible OS Switches (200A and above)

OS 200 J 04 F



Pistol Handles

O H B 65 J 6 E011



① Part designation keys are provided for reference only. Not all variations or configurations are available.

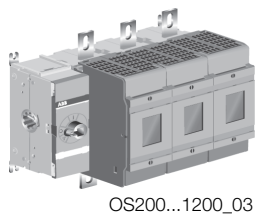
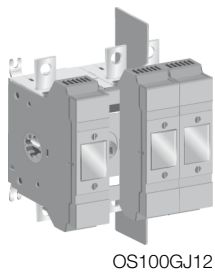
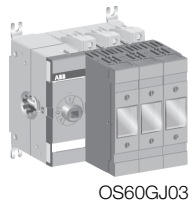
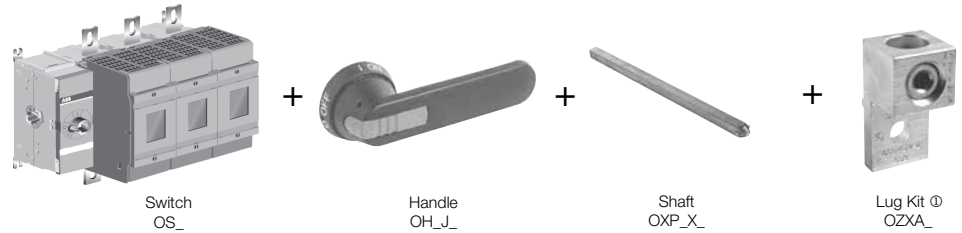
Base & DIN rail mounted ①

30 – 1200 A, UL fuse class CC, J and L

For a complete assembly, please select one of each:

- 1 switch (page 19.22)
- 1 handle (page 19.30)
- 1 shaft (page 19.32)
- 1 terminal lug kit (page 19.34)

NOTE: For additional accessories, see pages 19.29 - 19.40.



	UL general purpose amp rating	UL Fuse Type 600V	2 Pole	3 Pole	4 Pole
			Catalog number	Catalog number	Catalog number
UL 98	30	J CC ②	— —	OS30FAJ12 OS30FACC12	OS30FAJ22F OS30FACC22F
	60	J	OS60GJ02	OS60GJ12 OS60GJ03	OS60GJ04F
	100	J	OS100GJ02	OS100GJ12 OS100GJ03	OS100GJ04F
	200	J	OS200J02	OS200J03 OS200J30 OS200J12	OS200J04F
	400	J	OS400J02	OS400J03 OS400J30 OS400J12	OS400J04F
	600	J	OS600J02	OS600J03	OS600J04F
	800	L	OS800L02	OS800L03	OS800L04F
	1200	L	OS1200L02	OS1200L03	OS1200L04F

① For OS60 and OS100, please add the accessory OSGZD1 in order to mount on a DIN rail. OS200 and above are screw mounted only. Lugs only required for OS100 and above.
 ② Rejection style fuses only

Special configurations ①

Side operated

30 – 100 A, UL fuse class CC and J

Disconnect
switches
Fusible

For a complete assembly,
please select one of each:
1 switch
1 handle
1 shaft
1 terminal lug ①



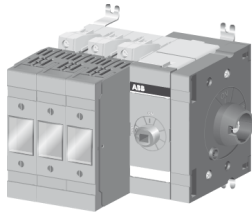
Switch
OS_



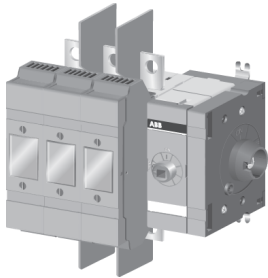
Handle
OH_J_



Shaft
OXP_X_



OS60GJS30



OS100GJS30



OXP6X_



OZXA-24

Side operated fusible disconnects – 3 poles

UL general purpose amp rating	UL fuse type 600V	Maximum horsepower rating					Weight (Lbs.)	Catalog number
		Three phase						
		200V	208V	240V	480V	600V		
30	J	5	7.5	7.5	15	20	1.54	OS30FAJS30
30	CC ②	5	7.5	7.5	15	20	1.54	OS30FACCS30
60	J	15	15	15	30	50	3.52	OS60GJS30
100	J1	25	25	30	60	75	3.97	OS100GJS30

Handles

UL/NEMA type	IEC type	Color	Length (Inches/mm)	Marking	Defeatable	Padlockable	Weight	Catalog number
For use with OS30FA_S_, OS60GJS_ & OS100GJS_								
1, 3R, 12	IP65	Black Red/Yel	2.6/65	OFF/ON	Yes	Yes	0.29	OHB65J6E00S OHY65J6E00S
For use with OS60GJS_ & OS100GJS_								
1, 3R, 12	IP65	Black Red/Yel	3.1/80	OFF/ON	Yes	Yes	0.30	OHB80J6E00S

Shaft

For use with:	Length (Inches/mm)	Description	Weight (Lbs.)	Catalog number
OS30FA_S_, OS60GJS_ & OS100GJS_	6.7/170	.24 x .24" (6 x 6mm)	0.08	OXP6X170
	8.3/210	.24 x .24" (6 x 6mm)	0.10	OXP6X210

Terminal lug kits

For use with:	Wire size	Weight	Wire type	Lugs per kit	Catalog number
OS30FA_S_	#18 – 8	—	Cu	—	Integral
OS60GJS_	#14 – 4	—	Cu	—	Integral
OS100GJS_	#14 – 2/0	0.43	Cu/Al	6	OZXA-24

① For OS60 and OS100, please add the accessory OSGZD1 in order to mount on a DIN rail.
Lugs only required for OS100.

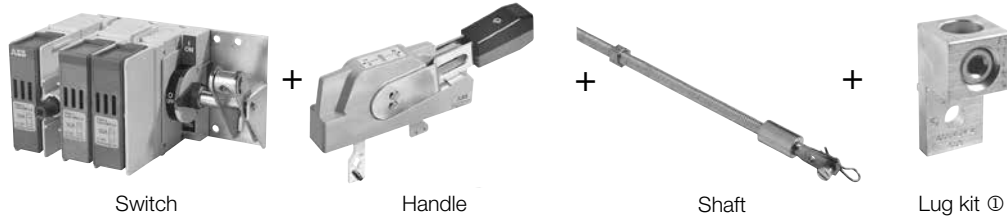
② Rejection style fuses only

Special configurations

Shaft operated flange

30 - 100 A

For a complete assembly, please select one of each.



Flange operated fusible disconnects (shaft) – 3 poles



UL general purpose amp rating A	UL fuse type 600V	Maximum horsepower rating			Catalog number
		Three phase			
		240V	480V	600V	
30	J	7.5	15	20	OS30FAJF30
30	CC	7.5	15	20	OS30FACCF30
60	J	15	30	50	OS60GJF30
100	J	30	60	75	OS100GJF30

Flange handles



UL/ NEMA type	Marking	Defeatable	Padlockable	Catalog number
1, 3R, 12	OFF/ON	No	Yes	DSFHN-HS12
4, 4X	OFF/ON	No	Yes	DSFHN-HS4

Shafts



For use with:	Maximum enclosure depth (inches)	Catalog number
OS30_ - OS100_	16 21 26.5	DSFHS-12 DSFHS-17 DSFHS-22

Terminal lug kits and accessories



For use on:	Description	Wire size	Wire type / additional info	Qty.	Catalog number
OS30_	Lug	#18 - #8	Cu	--	Integral
OS60_	Lug	#14 - #4	Cu	--	Integral
OS100_	Lug	#14 - 2/0	Cu/Al	6	OZXA-24
OS30FA_ & OS60-100G_	Aux. Contact	1 NO 1 NC	Up to 4 aux. contacts	1	OA1G10 ② OA3G01 ②
OS30FA_	Aux. Contact	1 NC+1 NO	2 max, mounted to the switch mechanism	1	OA4B1C
OS30FA_	Adapter	Needed for mounting OA_G_ aux. cont. on OS30FA_		1	OSZ4
OS100GJ_	Shroud		Single Pole Long type shroud, 3 pcs ③ Single Pole Short type shroud, 3 pcs ③	1	OSS160GG1L/3 OSS160GG1S/3

① For 100 A and above. OS30...60 come with internal lugs.

② OSZ4 adaptor is needed to mount on OS30FA_

③ For full protection, please order 2 kits.

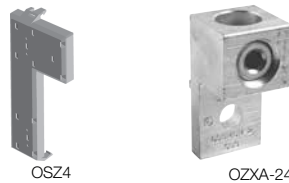
Flange operated fusible and non-fusible disconnect switches

ABB's solutions comply with NFPA79 requirements for Flange Operated Fusible and Non-fusible Disconnect Switches.

NFPA 79 requires main disconnecting means to be operable without the use of accessory tools or devices, independent of door position. This code also includes an interlocking provision to prevent the closing of disconnects while the enclosure door is open, unless an interlock is operated by a deliberate action.

The flange operated disconnect switches are available as ridged shaft or flexible cable operated versions. The cable operated version allows you to install the disconnect switch virtually anywhere in the enclosure depending on the length of the cable. Cables are available in lengths up to 84 inches.

The designs are cost-effective NFPA 79 solutions offering quick and easy installation.



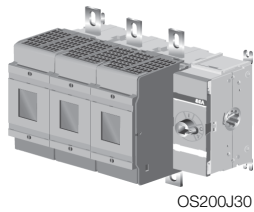
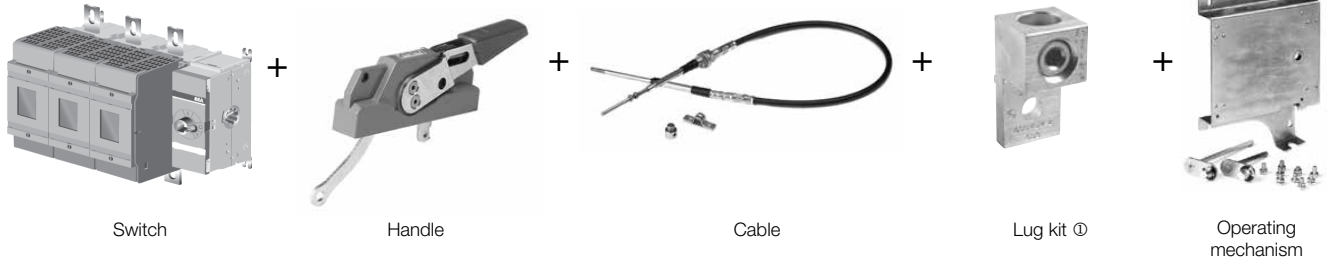
Special configurations

Cable operated flange

30 - 800 A

Disconnect
switches
Fusible

For a complete assembly, please select one each of the following:



Fusible

UL general purpose amp rating	UL fuse type 600V	Catalog number
30	J	OS30FAJ12
30	CC	OS30FACC12
60	J	OS60GJ30
60	J	OS60GJ03 ②
100	J	OS100GJ30
100	J	OS100GJ03 ②
200	J	OS200J30
200	J	OS200GJ03 ②
400	J	OS400J30-FC ③
600	J	OES600J3-FC ③
800	L	OES800L3-FC ③

Flange handles — UL98; File #E101914

For use with:	Environmental rating	Catalog number
OS30FA_12, OS60GJ12/30, OS100GJ30, OS200J30	NEMA 1, 3R, 12	OHF1C12
	NEMA 4, 4X	OHF1C4
OS400J30-FC, OES600J3-FC, OES800J3-FC	NEMA 4, 4X	K7FCH4

Flexible cables

For use with:	Cable length (inches)	Catalog number
OS30FA_12, OS60GJ30/03, OS100GJ30/03, OS200J30/03	36	OXC1L36
	48	OXC1L48
	60	OXC1L60
	72	OXC1L72
	84	OXC1L84
OS400J30-FC, OES600J3-FC, OES800J3-FC	48	K7C048
	60	K7C060
	72	K7C072
	84	K7C084

Operating mechanisms

For use with:	Catalog number
OS30FAJ12, OS30FACC12	MKCS2
OS60GJ12	MKCS3
OS60GJ30/03, OS100GJ30/03, OS200J30/03 ②	MKCS4
OS400J30-FC - OES800J3-FC	Included

- ① For 100 A and above. OS30FA_ .60GJ_ come with internal lugs
- ② Rotate the OS_03 disconnect 180 degrees to mount on the operating mechanism
- ③ Operating mechanism is included

Special configurations

Cable operated flange

30 - 800 A



OZXA-200

Terminal lug kits

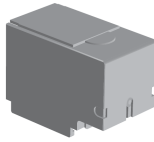
For use with	Wire size	Wire type	Description	Lugs per kit	Catalog number
OS100GJ_	#4 - 300 kcmil	Cu/Al	-	6	OZXA-24
OS200J_	#4 - 300 kcmil	Cu/Al	-	6	OZXA-200
OS400	#2 - 600 kcmil	Cu/Al	-	6	OZXA-400
OES600 - OES800	(2) #2 - 600 kcmil	Cu/Al	-	6	OZXA-27



OSS_L_

Terminal shrouds

For use on	Description	For full protection order	Weight (lbs.)	Catalog number
OS100GJ_	Single Pole long type shroud, 3 pcs	2 kits	0.17	OSS160GG1L/3
OS100GJ_	Single Pole short type shroud, 3 pcs	2 kits	0.11	OSS160GG1S/3
OS200J_	Single Pole long type shroud, 3 pcs	2 kits	0.20	OSS200G1L/3
OS200J_	Single Pole short type shroud, 3 pcs	2 kits	0.13	OSS200G1S/3
OS400J_	3 pole shroud, 1 pc	2 kits	0.13	OSS403
OES600J_	3 Pole (includes one shroud for line and load side)	1 kit	0.13	OESA-ZX125
OES800J_	3 Pole (includes one shroud for line and load side)	1 kit	0.13	OESA-ZX125



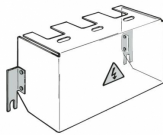
OSS_S_

Door hardware NEMA 12



OSS_03

Item	Catalog number
Safety door latch, 2 point, door less than 40" high	KDH2R
Safety door latch, 3 point, door greater than 40" high	KDH3R



OESA-ZX_

Standard handles & shafts ①②



Selector Handle
OHBS_



Pistol Handle
OHB_J_



Pistol Handle
YASDA-8



Stainless Steel Pistol Handle
OHM_L_



OHBS5



OHBS12

Recommended handles & shafts

Amperes	Shaft diameter	Recommended standard pistol handle length	Maximum recommended shaft length
16 - 100	6x6 mm - .24 x .24"	45 - 65 mm	430 mm
200	6x6 mm - .24 x .24"	65 - 80 mm	290 mm
400 - 1200	12x12 mm - .47 x .47"	125 - 274 mm	535 mm
1600 - 2000	12x12 mm - .47 x .47"	175 - 330 mm	535 mm

Selector handles — for use with .24 x .24" (6mm) OXS6X shafts

UL/NEMA Type	IEC type	Color	Marking	Defeatable	Padlockable	Weight (lbs)	Catalog number
1	IP54	Black	O/I & Off/On	No	No	0.09	OHBS1AH1 ③
				No	Yes	0.12	OHBS3AH1 ③
1, 3R, 12	IP65	Black	O/I & Off/On	No	Yes	0.16	OHBS2AJ1 ③
				Yes	Yes	0.16	OHBS2AJ ③

Pistol handles — for use with .24 x .24" (6mm) OXP6X shafts

UL/NEMA Type	IEC type	Color	Marking	Length in/mm	Defeatable	Padlockable	Weight (lbs)	Catalog number
1, 3R, 12	IP65	Black	O/I & Off/On	2.6/65	Yes	Yes	0.29	OHB65J6
			Off/On/Test	2.6/65	Yes	Yes	0.29	OHB65J6T ④
			O/I & Off/On	3.1/80	Yes	Yes	0.30	OHB80J6
			O/I & Off/On	3.1/80	Yes	Yes	0.30	OHB80L6
1, 3R, 12, 4, 4X	IP66	Black	O/I & Off/On	2.6/65	Yes	Yes	0.29	OHB65L6
1, 3R, 12, 4, 4X	IP66	316L Stainless steel	O/I & Off/On	2.6/65	Yes	Yes	1.60	OHM65L6
1, 3R, 12	IP65	Black w/ 316 stainless hasp	O/I & Off/On	2.6/65	Yes	Yes	0.31	OHB65J6EH
1, 3R, 12, 4, 4X	IP66	Black w/ 316 stainless hasp	O/I & Off/On	2.6/65	Yes	Yes	0.31	OHB65L6EH

Pistol handles — for use with .47 x .47" (12mm) OXP12X shafts ⑤

UL/NEMA Type	IEC type	Color	Marking	Length in/mm	Defeatable	Padlockable	Weight (lbs)	Catalog number
1, 3R, 12	IP65	Black	O/I & Off/On	4.9/125	Yes	Yes	0.39	OHB125J12
		Black		5.7/145	Yes	Yes	0.39	OHB145J12
		Black		6.9/175	Yes	Yes	0.41	OHB175J12
		Black T-Handle		7.9/200	Yes	Yes	0.88	OHB200J12P
		Black Steel Reinforced		10.8/274	Yes	Yes	1.19	OHB274J12
		Black Steel Reinforced		13/330	Yes	Yes	1.28	OHB330J12
1, 3R, 12, 4, 4X	IP66	Black	O/I & Off/On	5.7/145	Yes	Yes	0.39	OHB145L12
		Black		6.9/175	Yes	Yes	0.41	OHB175L12
		Black T-Handle		7.9/200	Yes	Yes	0.88	OHB200L12P
		Black Steel Reinforced		10.8/274	Yes	Yes	1.19	OHB274L12
		Black Steel Reinforced		13/330	Yes	Yes	1.28	OHB330L12
1, 3R, 12, 4, 4X	IP65	Metal	Off/On	8.7/220	No	Yes	1.50	YASDA-8
1, 3R, 12, 4, 4X	IP66	316L Stainless Steel	O/I & Off/On	4.9/125	Yes	Yes	1.7	OHM125L12
		316L Stainless Steel		6.9/175	Yes	Yes	1.8	OHM175L12
		316L Stainless Steel		10.8/275	Yes	Yes	2.1	OHM275L12
		T-Handle		7.9/200	Yes	Yes	0.88	OHM200L12P
1, 3R, 12	IP65	Black w/ 316 stainless hasp	O/I & Off/On	4.9/125	Yes	Yes	0.44	OHB125J12EH
		Black w/ 316 stainless hasp		6.9/175	Yes	Yes	0.76	OHB175J12EH
1, 3R, 12, 4, 4X	IP66	Black w/ 316 stainless hasp	O/I & Off/On	4.9/125	Yes	Yes	0.44	OHB125L12EH
		Black w/ 316 stainless hasp		6.9/175	Yes	Yes	0.76	OHB175L12EH

① Red/Yellow handles are available by substituting the OHB prefix with OHY.

② All handles are plastic unless otherwise noted as metal or stainless steel.

③ Recommended for use only on OT16F_, 25F_, 40F_, 63F_ and 80F_.

④ TEST position is accessed by rotating the mechanism 45 degrees counterclockwise from OFF position. In TEST position, optional auxiliary contacts are actuated but the main/power contacts are not.

⑤ Test handles are also available for other disconnect sizes. Please consult ABB for options available.

Standard handles & shafts ①

Disconnect
switches
Accessories

Direct mount handle for non-fusible disconnects

Description	For use on	Color	Padlockable	Shaft through handle	Weight	catalog number
Mounts directly on switch. No shaft necessary	OT16-40F_	Black	Yes No	Yes	0.05	OHBS12 @ CXBY68989
	OT63-80F_	Black	Yes No	No Yes	0.05	OHBS2 @ CXBY68998
	OT30/60/100F_		Yes	Yes		CXBY68419/6/2M
Up to 3 padlocks in OFF-position, includes shaft and mechanism	OT200	Black	Yes	Yes	0.22	OTV250EK
	OT400	Black	Yes	Yes	0.44	OTV400EK
	OT600	Black	Yes	Yes	0.66	OTV800EK
	OT800	Black	Yes	Yes	0.30	OTV1000EK
	OT1200	Black	Yes	Yes	0.30	OTV1000EK
Mounts on 12 mm shaft	OETL-NF1600-2000_SW	Metal	No	Yes	0.80	YASDA-34

Direct mount handle for fusible disconnects

For use on	Description	Marking	Color	Padlockable	Weight (lbs)	Catalog number
OS30	No shaft required	O/I/Test	Black	Yes	0.10	OHBS5
OS60 - OS200	No shaft required	O/I/Test	Black	Yes	0.30	OSV200BK
OS400	No shaft required	O/I/Test	Black	Yes	0.75	OSV400BK
OS600-OS800	No shaft required	O/I/Test	Black	Yes	2.43	OSV800DK
OS1200	No shaft required	O/I/Test	Black	Yes	3.30	OSV1250DK

Selector handles for door mounted switches

UL/NEMA Type	IEC Type	Color	Defeatable	Padlockable	Weight (lbs)	Catalog number
Snap-on mounting - for use on OT16FT3 - OT40FT3						
1	IP54	Black	No	No	0.10	OHBS1PH
1	IP54	Black	No	Yes	0.13	OHBS3PH
1, 3R, 12	IP65	Black	No	Yes	0.17	OHBS2PJ
Screw mounting - for use on OT16-100FT3. For OT30FT3, OT60FT3 and OT100FT3 use OH_2_ only						
1	IP54	Black	No	No	0.11	OHBS1RH
1	IP54	Black	No	Yes	0.14	OHBS3RH
1, 3R, 12	IP65	Black	No	Yes	0.18	OHBS2RJ

3 Position selector handles for double throw switches - for use with .24 x .24" (6mm) OXS6X shafts

UL/NEMA Type	IEC Type	Markings	Color	Defeatable	Padlockable	Weight (Lbs.)	Catalog number
1, 3R, 12	IP65	I/O/II, ON/OFF/ON	Black	Yes	Yes	0.16	OHBS2AJE011

3 Position pistol handles for double throw switches

UL/NEMA Type	IEC Type	Markings	Color	Defeatable	Padlockable	Weight (Lbs.)	Catalog number 6 mm	Catalog number 12 mm
1, 3R, 12	IP65	I/O/II, ON/OFF/ON	Black	Yes	Yes	0.29/0.33	OHB65J6E011	OHB145J12E011
1, 3R, 12, 4, 4X	IP66		Black	Yes	Yes	0.29/0.33	OHB65L6E011	OHB145L12E011
1, 3R, 12	IP65		Black	Yes	Yes	0.30/0.37	OHB80J6E011	OHB175J12E011
1, 3R, 12, 4, 4X	IP66		Black	Yes	Yes	0.30/0.37	OHB80L6E011	OHB175L12E011
1, 3R, 12	IP65		Black	Yes	Yes	0.88		OHB200J12PE011
1, 3R, 12	IP65		Black	Yes	Yes	1.19		OHB274J12E011
1, 3R, 12, 4, 4X	IP66		Black	Yes	Yes	1.19		OHB274L12E011

CXBY68989

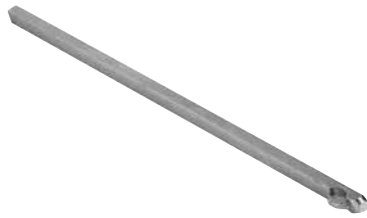
Direct mount handle for double throw switches

For use on	Description	Marking	Color	Padlockable	Weight (lbs)	Catalog number
OT16...80F_C	No shaft required	— ③	Black	No	0.03	OHBS3
OT30, 60, 100F_C	No shaft required		Black	No	0.02	OHBS9
OT16...80F_C	No shaft required		Black	Yes	0.05	OHBS2
OT30, 60, 100F_C	No shaft required		Black	Yes	0.04	OHBS11
OT200U_C	No shaft required	O/I/Test	Black	Yes	0.10	OTV250ECK
OT400U_C	No shaft required	O/I/Test	Black	Yes	0.30	OTV400ECK
OT600U_C	No shaft required	O/I/Test	Black	Yes	0.75	OTV800ECK
OT800U_C	No shaft required	O/I/Test	Black	Yes	2.43	OTV1000ECK

CXBY68419/6/2M

- ① Red/Yellow handles are available by substituting the OHB prefix with OHY. All handles are plastic unless otherwise noted as metal or stainless steel.
- ② Suitable for 3 & 4 pole versions only. Not for use with 6 or 8 pole.
- ③ Markings are on the disconnect, not on the handles.

Standard handles & shafts



OXS6X_
for selector type handles



OXp6X
OXp12X_
for pistol type handles

Shafts for use with selector handles – .24 x .24" (6x6 mm)

Shaft length (in/mm)	Maximum Mounting Depth (inches) ①					Weight (lbs)	Catalog number
	OT16F3, OT25F3, OT40F3		OT63F3, OT80F3				
	OH_1_ & OH_3_	OH_2_	OH_1_ & OH_3_	OH_2_			
3.3/85	5.0	4.3	5.6	5.0	0.07	OXS6X85	
4.1/105	5.8	5.1	6.4	5.8	0.07	OXS6X105	
4.7/120	6.4	5.8	7.0	6.4	0.08	OXS6X120	
5.1/130	6.7	6.1	7.4	6.8	0.08	OXS6X130	
7.1/180	8.7	8.1	9.4	8.7	0.11	OXS6X180	
9.8/250	11.5	10.8	12.1	11.5	0.13	OXS6X250	
13/330	14.6	14.0	15.3	14.7	0.17	OXS6X330	

Shafts for use with pistol handles – .24 x .24" (6x6 mm)

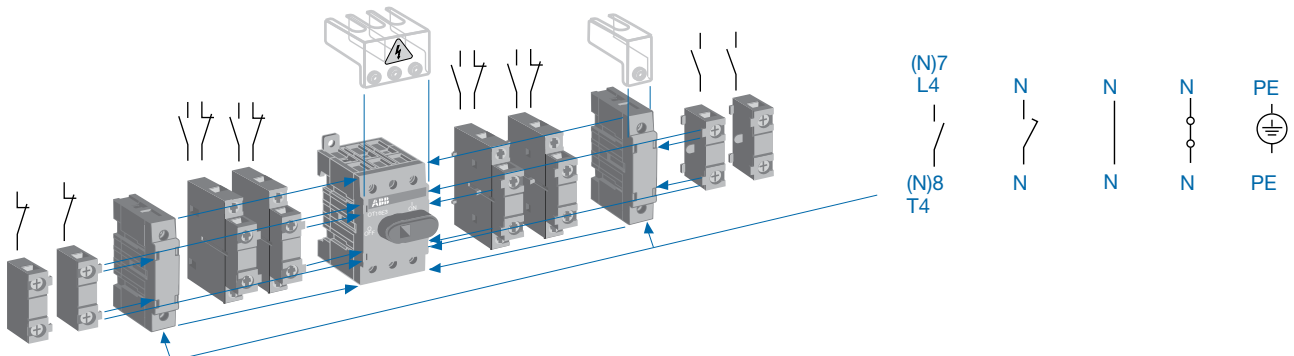
Shaft length (in/mm)	Maximum Mounting Depth (inches) ①								Weight (lbs)	Catalog number
	OT16F3 - OT40F3	OT63F3 - OT80F3	OT30F3/60F3/100F3	OT200	OS30	OS60G	OS100G	OS200		
5.2/130	5.9	6.4	6.7	6.5	-	-	-	-	0.08	OXp6X130
5.9/150	6.7	7.4	7.0	7.2	8.2	7.6	7.6	7.6	0.09	OXp6X150
8.3/210	9.1	9.7	9.8	9.6	10.6	10.0	10.0	10.0	0.13	OXp6X210
11.4/290	12.2	12.8	12.9	12.7	13.7	13.1	13.1	13.1	0.18	OXp6X290
14.2/360	14.9	13.8	15.6	-	16.5	15.9	15.9	-	0.23	OXp6X360
15.7/400	16.5	15.4	17.2	-	18.1	17.5	15.5	-	0.27	OXp6X400
16.9/430	17.6	18.3	18.3	-	19.3	18.6	18.6	-	0.27	OXp6X430

Shafts for use with pistol handles – .47 x .47" (12x12 mm)

Shaft length (in/mm)	Maximum Mounting Depth (inches)						Weight (lbs)	Catalog number
	OT400	OT600	OT800 - OT1200	OETL-NF1600 - 2000_SW	OS400	OS600 - OS1200		
11.0/280	13.3	14.6	14.5	-	13.8	14.9	0.77	OXp12X280
12.8/325	15.0	16.4	16.3	20.9	15.6	16.7	0.90	OXp12X325
15.6/395	20.5	19.1	19.1	23.6	18.3	19.4	1.10	OXp12X395
18.3/465	21.9	21.8	21.9	26.3	21.0	22.1	1.32	OXp12X465
21.1/535	22.8	24.6	24.6	29.1	23.8	24.8	1.54	OXp12X535

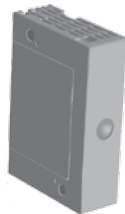
① Mounting depth is distance from the outside of the door to the disconnect switch mounting plate. Shaft can be adjusted or cut to desired length.

Auxiliary contacts

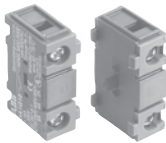


Auxiliary contacts — snap-on mounting ①

Description	For Use On	Weight (lbs)	AC Thermal amp rating	AC rated voltage	Catalog number
Form C, 1 N.O. & 1 N.C.	OS30	0.04	6	400	OA4B1C
1 N.O.	OT16-100F_ (right side), OT200-1200 OS30-OS1200	0.07	10	600	OA1G10
1 N.C.	OT16-100F_ (left side)	0.07	10	600	OA1G01
	OT200-1200 OS30-OS1200	0.07	10	600	OA3G01
1 N.O. & 1 N.C.	OT16-100F3 (both sides)	0.07	10	600	OA2G11 ②
Module for auxiliary contacts	OS30	0.09	—	—	OSZ4
	OT200-1200	0.1	—	—	OEA28
	OS60G-OS1200	0.1	—	—	OEA28



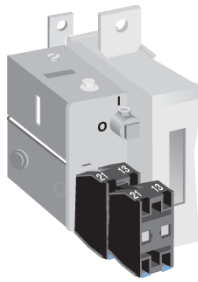
OEA28



OA1G_



OA2G11



OZXK_

Auxiliary contacts — front mounting

Description	For Use On	Weight (lbs)	AC Thermal amp rating	AC rated voltage	Catalog number
1 N.O. + 1 N.C.	OETL-NF1600SW	0.2	10	600	OZXK-1
2 N.O. + 2 N.C.		0.26	10	600	OZXK-2
4 N.O. + 4 N.C.		0.4	10	600	OZXK-3
2 N.O.	OETL-NF2000SW	0.18	10	600	OZXK-4
4 N.O.		0.25	10	600	OZXK-5
8 N.O.		0.4	10	600	OZXK-6

Auxiliary contacts — snap-on mounting for double throw

Description	For Use On	Weight (lbs)	AC Thermal amp rating	AC rated voltage	Catalog number
1 N.C.	OT16-100F_C (left side)	0.7	10	600	OA1G01
1 N.O.	OT16-100F_C (left side)	0.7	10	600	OA7G10
1 N.O. & 1 N.C.	OT16-100F3C (both sides)	0.7	10	600	OA2G11 ②
1 N.C.	OT16-100F_C (right side)	0.7	10	600	OA8G01
1 N.O.	OT16-100_C (right side), OT200-800_C	0.7	10	600	OA1G10
1 N.C.		OT200-800_C	0.7	10	600

Mounting & installation considerations

Non-Fusible

OT16-100F_

OA1G10 (1 N.O.) mounts on right side of switch only, 2 pcs max. OA1G01 (1 N.C.) mounts on left side of the disconnect only, 2 pcs max.
OA2G11 (1 N.O. & 1 N.C.) mounts on left or right side of the disconnect, 2 pcs max. Not mountable on the side of 4th poles.

OT200-1200

Mounting to the left side of the disconnect with OEA28 module: max. 8 aux. contacts
At least 4 auxiliary contact blocks mounting under the mechanisms.

Fusible

OS30

Form C contacts mount directly to switch, 2 pcs max.
OA1G10 (1 N.O.) + OA3G01 (1 N.C.) require module OSZ4 (mounts on the left side)
Max. 6 OA1G10 + OA3G01 contacts with module OSZ4 (mounts on the left side)

OS60G-1200

Mounting to the left side of the disconnect with OEA28 module: max. 8 aux. contacts
At least 4 auxiliary contact blocks mounting under the mechanisms.

① UL file #E8351

② Not mountable on the side of 4th poles.

Terminal lugs

Terminal lugs ①

For Use On	Wire Size	Wire Type	Lugs/Kit	Weight (lbs)	Catalog number
OS100G	#14-2/0	Cu/Al	6	0.50	OZXA-24
OT200, OS200	#4 - 300 kcmil	Cu/Al	6	0.50	OZXA-200
	#4 - 300 kcmil		3	0.25	OZXA-200/3
	(6) 14-6 AWG		3	0.25	OZXA-206T ②
OT400, OS400	#2 - 600 kcmil	Cu/Al	6	0.50	OZXA-400
			3	0.25	OZXA-400/3
			6	0.50	OZXA-402
			3	0.50	OZXA-406
			(6) #14 - 6 AWG	3	0.50
OT600, OS600, OS800	(2) #2 - 600 kcmil	Cu/Al	6	0.50	OZXA-800
OT800, OT1200, OS1200	(4) #2 - 600 kcmil	Cu/Al	6	6.90	OZXA-1200
			3	3.45	OZXA-1200/3
OETL-NF1600_SW	(4) #2 - 600 kcmil (4) #2 - 600 kcmil (8) 2/0 + (2) #2 - 600 kcmil ③	Cu/Al	6	10.44	OZXA-28
			3	5.22	OZXA-28/3
			3	10.44	OZXA-32
OETL-NF2000_SW	(8) #2 - 600 kcmil	Cu/Al	12	20.88	OZXA-28/2



OZXA-24



OZXA-200



OZXA-400



OZXA-32



OZXA-27



OZXA-30

Terminal lug kits for double throw switches

For Use On	Wire Size	Wire Type	Lugs/Kit	Weight (lbs)	Catalog number
OT200_C	#4 - 300kcmil	Cu/Al	9	0.5	OZXA-200/9
			12	0.25	OZXA-200/12
OT400_C	#2 - 600kcmil	Cu/Al	9	0.5	OZXA-400/9
			12	0.25	OZXA-400/12
OT600_C	(2) #2 - 600kcmil	Cu/Al	9	0.5	OZXA-800/9
			12	0.5	OZXA-800/12
OT800_C	(4) #2 - 600 kcmil	Cu/Al	9	0.5	OZXA-1200/9
			12	0.5	OZXA-1200/12

Additional Terminal lug kits for flange operated switches

For Use On	Wire Size	Wire Type	Lugs/Kit	Weight (lbs)	Catalog number
OETL-NF400-FC , OES400	#2 - 600 kcmil	Cu/Al	6	3.10	OZXA-26
OETL-NF600-FC , OES600 - OES800	(2) #2 - 600 kcmil	Cu/Al	6	4.39	OZXA-27
OETL-NF800-FC	(2) #2 - 600 kcmil	Cu/Al	6	8.71	OZXA-30
OETL-NF1200-FC	(4) #2-600 kcmil	Cu/Al	6	10.44	OZXA-28

① Lugs are integral to the disconnects OT16-100F_, OS30FA_ and OS60G_. No separate lug kit accessory is required.

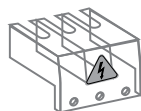
② OZXA-206T is a kit that contains: lug OZXA-175 and terminal shroud OTS250G1L/3, both for 3 poles. For top and bottom, order two OZXA-206T kits

③ A load side distribution lug eliminates the need to purchase, install and wire a separate distribution block.

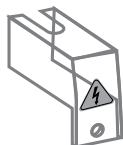
Terminal shrouds

Terminal shrouds for non-fusible

For full protection, order



OTS40T3
OTS80T3
OTS125T3



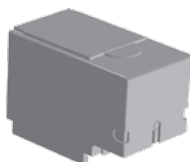
OTS40T1
OTS80T1
OTS125T1

Description	For Use On	Disconnect	Double-throw	Weight	Catalog number
3 pole shroud, 1 pc	OT16-OT40 ① OT63-OT80 ① OT30-OT100 ①	2 kits	4 kits	0.02 0.02 0.02	OTS40T3 OTS63T3 OTS125T3
For 4th poles, Single pole shroud, 1pc	OTP_40F_ ① OTP_80F_ ① OTP_125F_ ①	2 kits	4 kits	0.03 0.03 0.03	OTS40T1 OTS63T1 OTS125T1
Single pole long shroud, 3 pcs	OT200, 3 poles	2 kits	2 kits	0.12	OTS250G1L/3
Single pole short shroud, 3 pcs				0.13	OTS250G1S/3
Single pole long shroud, 4 pcs	OT200, 4 poles	2 kits	2 kits	0.26	OTS250G1L/4
Single pole short shroud, 4 pcs				3.18	OTS250G1S/4
3 pole shroud, 1 pc ②	OT400 OT600	2 kits	-	0.33 0.33	OTS403 OTS603
3 pole shroud, 1 pc ②	OT800 OT1200	2 kits 2 kits	-	0.88 1.2	OTS803 OTS1203

Terminal shrouds for fusible



OTS_G1L/_
OSS_G1L/_



OTS_G1S/_
OSS_G1S/_



OTS_03
OSS_03

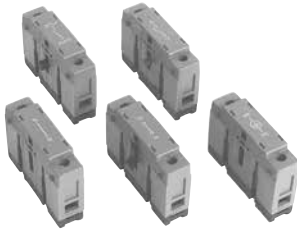
Description	For Use On	For full protection order	Weight (lbs)	Catalog number
Single pole long shroud, 3 pcs Single pole short shroud, 3 pcs	OS100G, 3 poles	2 kits	0.04 0.04	OSS160GG1L/3 OSS160GG1S/3
Single pole long shroud, 3 pcs Single pole short shroud, 3 pcs	OS200, 3 poles	2 kits	0.20 0.13	OSS200G1L/3 OSS200G1S/3
Single pole long shroud, 4 pcs Single pole short shroud, 4 pcs	OS200, 4 poles		0.26 0.18	OSS200G1L/4 OSS200G1S/4
3 pole shroud, 1 pc ②	OS400, 3 poles OS600, 3 poles	2 kits	0.13 0.11	OSS403 OSS603
3 pole shroud, 1 pc ②	OS800, 3 poles	2 kits	0.11	OSS803
Single pole long shroud, 3 pcs Single pole short shroud, 3 pcs	OS1200, 3 poles	2 kits	2.12 0.88	OSS1250G1L/3 OSS1250G1S/3
Single pole long shroud, 4 pcs Single pole short shroud, 4 pcs	OS1200, 4 poles		2.20 1.15	OSS1250G1L/4 OSS1250G1S/4

① OT16 - OT100 disconnects are IP20 touchsafe as standard. Terminal shrouds provide an extra degree of protection.
② For 4 pole shrouds, please consult ABB.

Additional poles

Additional poles for non-fusible ①

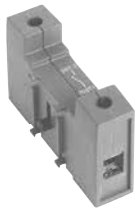
Power poles - Only one power pole per switch: mounts on left or right side of switch.



OTP_40FP

Description	For use on	Weight	AC Thermal amp rating	AC rated voltage	Catalog number ②
 Fourth Pole	OT16-40F3, left side	0.07	40	600	OTPS40FPN1 OTPS40FPN2 OTPS80FP OTPS60FP OTPS125FP
	OT16-40F3, right side	0.07	40		
	OT63-80F3	0.13	80		
	OT30-60F3 (UL98)	0.31	60		
	OT100F3 (UL98)	0.31	100		
 Late-break/ early-make	OT16-40F3	0.07	40	600	OTPL40FP OTPL80FP OTPL60FP OTPL125FP
	OT63-80F3	0.13	80		
	OT30-60F3 (UL98)	0.31	60		
	OT100F3 (UL98)	0.31	100		

Terminal poles - Switch accepts one terminal pole per side: mounts on left or right side of switch



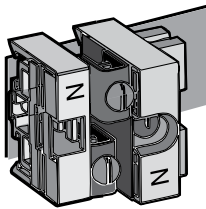
OTP_80FP



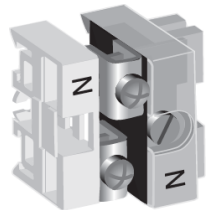
OTP_125FP

Description	For use on	Weight	AC Thermal amp rating	AC rated voltage	Catalog number ②
 Solid neutral	OT16-40F3	0.07	40	600	OTPN40FP OTPN80FP OTPN60FP OTPN125FP
	OT63-80F3	0.13	80		
	OT30-60F3 (UL98)	0.31	60		
	OT100F3 (UL98)	0.31	100		
 Detachable Neutral	OT16-OT40F3	0.07	40	600	OTPD40FP OTPD80FP OTPD60FP OTPD125FP
	OT63-OT80F3	0.13	80		
	OT30-60F3 (UL98)	0.31	60		
	OT100F3 (UL98)	0.31	60		
 Ground Terminal	OT16-OT40F3	0.07	40	600	OTPE40FP OTPE80FP OTPE60FP OTPE125FP
	OT63-OT80F3	0.13	80		
	OT30-60F3 (UL98)	0.31	60		
	OT100F3 (UL98)	0.31	100		

Additional poles for fusible switches



OESA-ZX171



OSZ_

Description	For use on	Weight (lbs)	AC Thermal amp rating	AC rated voltage	Catalog number
Detachable neutral	OS30 ③	0.45	30	600	OESA-ZX171
	OS60G ④	0.13	63	600	OSZ1
	OS100G ④	0.31	125	600	OSZ2

- ① Disconnect accept only one power pole or one terminal pole per side
For double throw disconnect OT_F3C: always order two poles, one for each side of the disconnect
Power pole for OT16-OT40F3C, order 1 piece of OTPS40FPN1 and 1 piece of OTPS40FPN2
- ② For door mounted non-fusible disconnects OT_FT3, replace _FP_ by _FD_ in the catalogue number
- ③ Mounted on the side of the disconnect, on the base plate or on a DIN rail
- ④ Mounted on the base plate or DIN rail

Fuse monitors, carriers and mounting adapters

Disconnect
switches
Accessories



OFM_

Fuse monitors

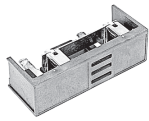
For Use With	Rated Voltage	Weight (lbs)	Catalog number
OS30-1200	100-240	0.31	OFM240
	380-600	0.31	OFM600

Suitable for 1 or 3 phase circuits. Includes 1 N.O. and 1 N.C. auxiliary contacts and red & green LED lights for indication.

Crimp terminals for fuse monitor wires

For Use With	Crimp Terminal size (mm)	Includes	Catalog number
OS30-200	2.8-0.8	6 terminals	OFMZ2
OS400-1200	6.3-0.8		OFMZ4

Fuse carriers



Fuse carriers
OESAZD_

Description	For Use on	Catalog number
CC fuse carrier (Qty. 1)	OS30FACC_	OESAZD48
J fuse carrier (Qty. 1)	OS30FAJ_	OESAZD28
Solid link carrier (Qty. 1)	OS30_	OESAZD55

Shorting bars for fusible switches

Description	For Use On	AC thermal amp rating	AC rated voltage	Catalog number
Dummy Fuse	OS60	60	600	OESAZD54
Solid links: metal strap	OS100	100	600	OESA-ZS36
	OS200	400	600	OESA-ZK98

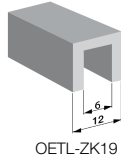
DIN rail mounting kit

For Use With	Weight (lbs)	Catalog number
OS60-100G_	0.44	OSGZD1

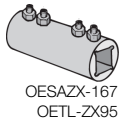
Miscellaneous accessories Replacement parts

Miscellaneous accessories

Shaft accessories



Accessory Type	Description	For Use On	Weight	Catalog number
Shaft Adapter	Adapts one end of a 6mm shaft to 12mm (use with shaft extension coupler)	6mm shafts	0.20	OETL-ZK19
Shaft Extension Coupler	Joins two shafts together for applications where extended length is required	6mm shafts 12mm shafts	0.26 0.26	OESA-ZX167 OETL-ZX95
Shaft Guide	Fits all pistol grip handles, mounts on the inside of the enclosure door with provided hardware	pistol handles	-	OHZX10



Busbar connections

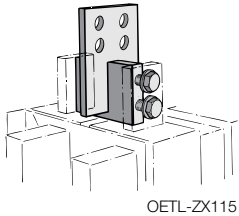
Accessory Type	Description	For Use On	Weight	Catalog number
Busbar Connections	Vertical, back or edgewise mounting $\text{\textcircled{D}}$	OETL-NF1600 -2000_SW	46.2 31.0	OETL-ZX115 OETL-ZX114



Locking accessories

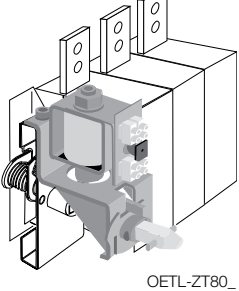
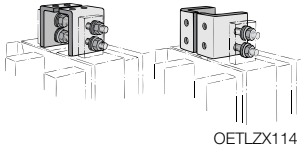
Accessory Type	Description	For Use On	Weight	Catalog number
Electrical Interlock	Closed circuit principle for interlocking the switch movement. When the coil circuit is dead, A-types cannot be operated to O-position and L-types cannot be operated to ON- or OFF-position. Coil voltages 110VAC, 220 VAC, 24VDC, 48VDC, 60VDC, 110VDC, 220VDC, P - 15W U = 0.7 - 1.1 Un (U = coil voltage, Un = nominal voltage)	OETL-NF1600 -2000_SW	2.42	OETL-ZT80 Δ OETL-ZT80L Δ

Δ = Coil Voltage



Replacement parts

Accessory Type	Description	For Use On	Catalog number
Metal collar	Replaces original black knob for locking shaft in place	OT16F-200, OS30-200	OTZS2
Set screw	Set screw for use with knob or collar	OT16F-200 OS30-200	FLSWM5X8AX
Shaft set screw	Shaft set screw, bag of 10	OT400-1200, OS400-1200	OZX1
Terminal cover	Covers terminal below fuse carrier	OS30	CXBY67121
Phase barrier	-	OS200	CXBY68794
Fuse covers	-	OS60GJ_ OS100GJ_	CXBY69058 CXBY69072

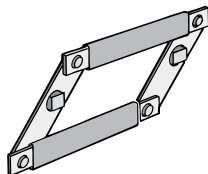


$\text{\textcircled{D}}$ Vertical busbar is provided as standard on OETL-NF1600 and OETL-NF2000 disconnects.

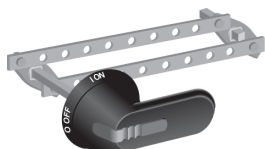
Conversion, transfer & bypass mechanisms Mechanical interlocks

Conversion mechanisms

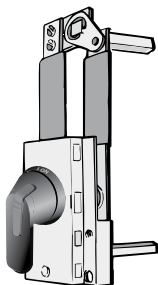
Mechanism Type	For use on	Weight	UL/Nema Type	Catalog number
6 or 8 pole mechanisms	OS30, 6 poles	1.52	-	OWP6DS1
	OS30, 8 poles	1.52	-	OWP6DS2
	OT16-100F_	0.33	-	OTZW8
	OT200, OS30-200	1.52	1, 3R, 12	OESA-ZW2
	OT400-600, OS400	2.42	-	OETL-ZW9
Double throw mechanisms	OT16-100F_	2.20	1, 3R, 12 1, 3R, 12, 4, 4X	OESA-ZW1 OESA-ZW1X
	OT200, OS30-200	2.20	1, 3R, 12 1, 3R, 12, 4, 4X	OTZW25 OTZW25X
	OT400-600, OS400	10.10	1, 3R, 12, 4, 4X	OETL-ZW12
Bypass mechanisms	OT16-100F_	1.54	1, 3R, 12 1, 3R, 12, 4, 4X	OTZW17 OTZW17X
	OT200, OS30-200	7.28	1, 3R, 12	OTZW26
	OT400-600, OS400	8.81	1, 3R, 12, 4, 4X	OETL-ZW33
Mechanical interlock mechanisms	OT16-100F_	0.33	-	OTZW24
	OS30-200	0.55	-	OTZW10
	OT400-600, OS400-800	1.26	-	OETL-ZW3
	OETL-NF1600-2000_SW	2.64	-	OETL-ZW15



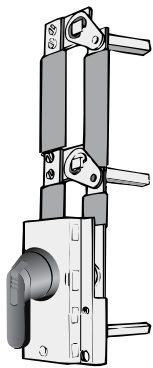
OTZW8



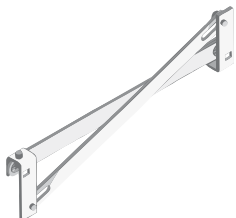
OESA-ZW2
OETL-ZW9



OTZW25



OTZW17



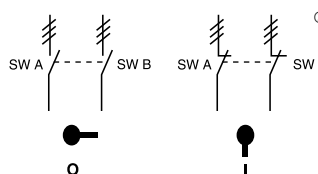
OETL-ZW24

6 or 8 pole

6 (8) pole mechanism allows two switches controlled by one handle to open or close simultaneously.

Equipment required for a complete installation:

- One conversion mechanism
- Two disconnect switches (see page 19.11)
- One handle[ⓐ] (see page 19.30)
- Two shafts (see page 19.32)



	POS. O	POS. I
SW. A	O	X
SW. B	O	X

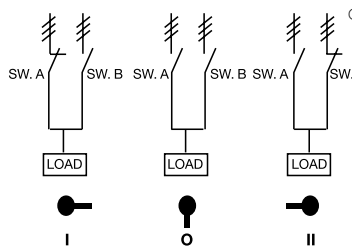
X = Closed
O = Open

Transfer

Transfer mechanism manually transfers between two power sources using two switches and a center OFF position. A 3-position handle is included.

Shafts included. Equipment required for a complete installation:

- One conversion mechanism
- Two disconnect switches (see page 19.11.)



	POS. I	POS. O	POS. II
SW. A	X	O	O
SW. B	O	O	X

X = Closed
O = Open

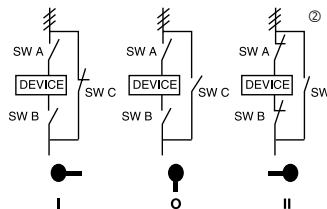
Bypass

Bypass mechanism operates three switches: Two switches in series and one changeover switch to allow power bypass.

A 3-position handle is included.

Shafts included. Equipment required for a complete installation:

- One conversion mechanism
- Three disconnect switches (see page 19.11.)



	POS. I	POS. O	POS. II
SW. A	O	O	X
SW. B	O	O	X
SW. C	X	O	O

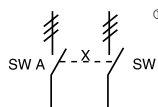
X = Closed
O = Open

Mechanical interlock

Mechanical interlock mechanism prevents both switches from being in the ON position at the same time.

Equipment required for a complete installation:

- One conversion mechanism
- Two disconnect switches (see page 19.11)
- Two handles (see page 19.30)
- Two shafts (see page 19.32)



	SW. A POS. I	SW. B POS. I
SW. A	X	O
SW. B	O	X

X = Closed
O = Open

ⓐ OT16E3 – OT32E3 can use a selector or pistol handle. All other sizes must use a pistol handle.

ⓑ ≡ = Three poles

Notes

Enclosed Disconnect switches



Enclosed disconnect switches

16 – 3150 A Non-fusible

30 – 800 A Fusible



eOT, NF, FC, FJ and FL products meet customer requirements in terms of safety, ease of installation, space savings and operational convenience. They are available in a wide range of amperage ratings:

- eOT from 16 to 100 A, UL98
- NF, FC, FJ and FL from 16 to 2000 A built to UL98 requirements
- NF 3150 A IEC rated

General information

Non-fusible, fusible & lockable

Non-fusible

Snap on accessories include additional poles, auxiliary contacts, etc.

Enclosures available in plastic, metal, or stainless steel in NEMA 1, 3R, 12, 4X, 7 & 9 environmental categories



Modern appearance

Quick make, quick brake mechanism

Heavy duty disconnect, 600VAC

Extremely compact size

Finger-proof construction. No hazardous exposed parts

3/4/6/8 pole constructions; transfer switches and by-pass switches available

Fusible

Snap on accessories include fuse monitors, auxiliary contacts, etc.

Enclosures available in plastic, metal, or stainless steel in NEMA 1, 3R, 12, 4X, 7 & 9 environmental categories



Modern appearance

Quick make, quick brake mechanism

Heavy duty disconnect, 600VAC, 200kA, I_{SC}

Extreme compact size as fuse carriers are decked above contacts

Double contacts enabling feed from any direction and preventing back feed

Finger-proof construction. No hazardous exposed parts

3/4/6/8 pole constructions; transfer switches and by-pass switches available

Lockable

Clear position indications:

- I-ON
- O-OFF

Door interlocked when handle padlocked to OFF position

Handle padlockable with up to three padlocks



Door interlocked when handle is in ON position. Door interlock can be defeated by authorized personnel.

Pilot devices can be added

General information

Non-fusible, 16 - 3150 A
Fusible, 30 - 800 A

Disconnect
switches
Enclosed

NF range ratings, 16 – 3150 A, 600 V

UL General purpose amp rating	Maximum horsepower rating							Wire size for terminal lugs	For wire type	Built according to (*)
	Single phase			Three phase						
	120V	200V	240V	200V – 208V	240V	480V	600V			
16	1	2	2	3	5	10	10	#18 – 8	Cu	UL508
25	1.5	3	3	7.5	7.5	15	20	#18 – 8	Cu	UL508
40	2	5	5	10	10	20	25	#18 – 8	Cu	UL508
60	2	5	5	15	15	30	30	#14 – 1	Cu	UL508
80	2	5	5	20	20	40	40	#14 – 1	Cu	UL508
30	2	5	5	10	10	20	30	#14 – 4	Cu	UL98
60	3	7.5	7.5	20	20	40	40	#14 – 4	Cu	UL98
100	5	15	15	25	30	50	50	#8 – 1/0	Cu	UL98
200	—	—	—	60	75	150	200	#6 – 300 kcmil	Cu	UL98
400	—	—	—	100	125	250	350	#2 – 600 kcmil	Cu	UL98
600	—	—	—	150	200	400	500	(2) #2 – 600 kcmil	Cu	UL98
800	—	—	—	200	250	500	600	(2) #2 – 600 kcmil	Cu/Al	UL98
1200	—	—	—	—	—	—	—	(4) #2 – 600 kcmil	Cu/Al	UL98
1600	—	—	—	—	—	—	—	(4) #2 – 600 kcmil	Cu/Al	UL98
2000	—	—	—	—	—	—	—	(8) #2 – 600 kcmil	Cu/Al	UL98
3150	—	—	—	—	—	—	—	(8) #2 – 600 kcmil	Cu/Al	IEC

(*) Assemblies are not UL listed, but built to meet UL requirements

Handle ratings

Catalog number suffix	Style type	NEMA	Color	Marking	Defeatable	Padlockable	Catalog number
S	Selector	1,3R,12	Black	O/I & OFF/ON	Yes	Yes	OHBS2AJ ①
S1	Selector	1,3R,12	Red/Yel	O/I & OFF/ON	Yes	Yes	OHYS2AJ ①
P	Pistol	1,3R,12	Black	O/I & OFF/ON	Yes	Yes	OHB65J6 ①
P	Pistol	1,3R,4,4X,12	Black	O/I & OFF/ON	Yes	Yes	OHB65L6 ①
P1	Pistol	1,3R,12	Red/Yel	O/I & OFF/ON	Yes	Yes	OHY65J6 ①
P1	Pistol	1,3R,4,4X,12	Red/Yel	O/I & OFF/ON	Yes	Yes	OHY65L6 ①
BJ	Selector	1,3R,12	Black	O/I & OFF/ON	Yes	Yes	OHBS2AJ
YJ	Selector	1,3R,12	Red/Yel	O/I & OFF/ON	Yes	Yes	OHYS2AJ
B4	Pistol	1,3R,12	Black	O/I & OFF/ON	Yes	Yes	OHB145J12
B4	Pistol	1,3R,12	Black	I/O/II	Yes	Yes	OHB145J12E011 ②
B4	Pistol	1,3R,4,4X,12	Black	I/O/II	Yes	Yes	OHB145L12E011 ②
Y4	Pistol	1,3R,12	Red/Yel	O/I & OFF/ON	Yes	Yes	OHY145J12
B6	Pistol	1,3R,4,4X,12	Black	O/I & OFF/ON	Yes	Yes	OHB65L6
Y6	Pistol	1,3R,4,4X,12	Red/Yel	O/I & OFF/ON	Yes	Yes	OHY65L6
B7	Pistol	1,3R,4,4X,12	Black	O/I & OFF/ON	Yes	Yes	OHB175J12
B7	Pistol	1,3R,12	Black	I/O/II	Yes	Yes	OHB175J12E011 ②
B7	Pistol	1,3R,4,4X,12	Black	I/O/II	Yes	Yes	OHB175L12E011 ②
Y7	Pistol	1,3R,4,4X,12	Red/Yel	O/I & OFF/ON	Yes	Yes	OHY175L12
B8	Pistol	1,3R,4,4X,12	Black	O/I & OFF/ON	Yes	Yes	OHB80L6
B8	Pistol	1,3R,12	Black	I/O/II	Yes	Yes	OHB80J6E011 ②
B8	Pistol	1,3R,4,4X,12	Black	I/O/II	Yes	Yes	OHB80L6E011 ②
Y8	Pistol	1,3R,4,4X,12	Red/Yel	O/I & OFF/ON	Yes	Yes	OHY80L6
6	Pistol	1,3R,4,4X,12	Black	I/O/II	No	Yes	OHB174L12E011 ②
8	Pistol	1,3R,4,4X,12	Metal	O/I & OFF/ON	No	Yes	YASDA-8
21	Pistol	1,3R,4,4X,12	Metal	I/O/II	No	Yes	YASDA-21
21	Pistol	1,3R,4,4X,12	Black	I/O/II	No	Yes	OHB274L12E011 ②

① Handles are for the eOT range

② Handles are for double throw switches

Disconnect
switches
Enclosed

General information Fusible, 30 - 800 A

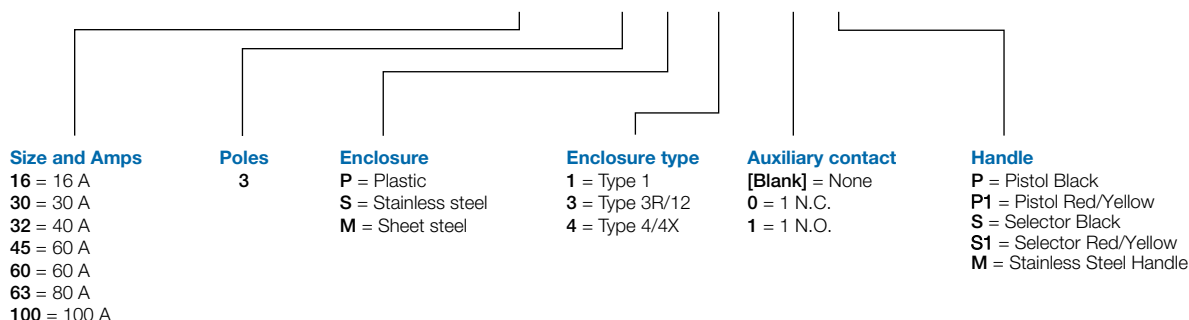
FC, FJ an FL range ratings

UL general purpose amp rating	Maximum horsepower rating								Wire size for terminal lugs	For wire type	Built according to (*)
	Single phase			Three phase							
	120V	200V	240V	200V	208V	240V	480V	600V			
30	2	3	5	5	7.5	7.5	15	20	#18 - 8	Cu	CSA, UL
60	3	7.5	10	15	15	15	30	50	#14 - 4	Cu	CSA, UL
100	5	10	15	25	25	30	60	75	#14 - 2/0	Cu/Al	CSA, UL
200	—	—	—	50	50	60	125	150	#6 - 300 kcmil	Cu/Al	CSA, UL
400	—	—	—	100	125	125	250	350	#2 - 600 kcmil	Cu/Al	CSA, UL
600	—	—	—	150	150	200	400	500	(2) #2 - 600 kcmil	Cu/Al	CSA, UL
800	—	—	—	200	200	250	500	600	(2) #2 - 600 kcmil	Cu/Al	CSA, UL

(*) Assemblies are not UL listed, but built to meet UL requirements

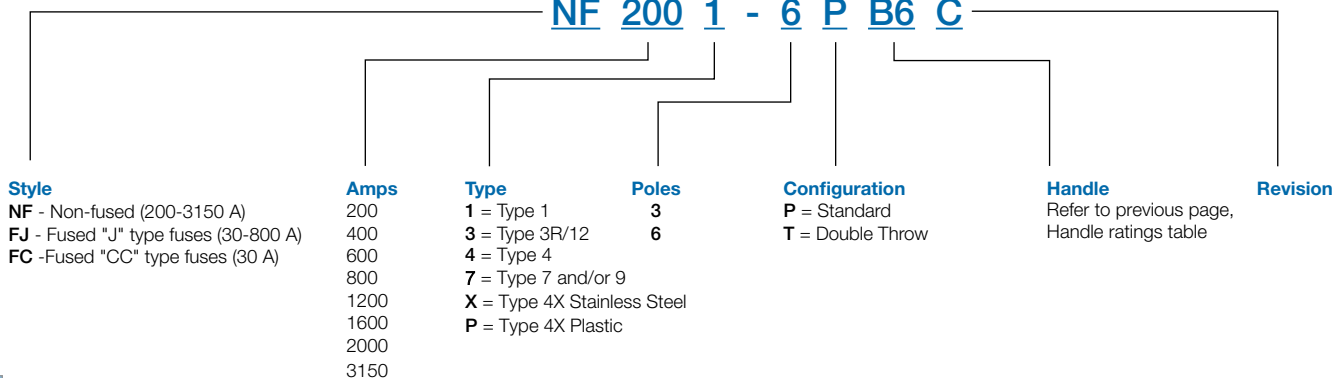
Enclosed non-fusible, 3 poles, 16 to 100 A ①

EOT 16 U 3 M 1 - 1 P



Enclosed non-fusible 200 to 3150 A, fusible from 30 to 800 A and specialty configuration ①

NF 200 1 - 6 P B6 C



Custom versions or other versions of enclosed products are available upon request. Please, consult ABB.

① Part designation keys are provided for reference only. Not all variations or configurations are available.

3 pole Non-fusible, 16 – 3150 A

Disconnect
switches
Enclosed



NF32X-3PB6C



EOT16U3P3-S



EOT63U3M1-P

16-80 A, 600 VAC, 3 poles, UL508 Selector handle

UL general purpose amp rating	Standard	UL/NEMA Enclosure Type			
		1	3R/12	4/4X	3R/12 Plastic
		Catalog number	Catalog number	Catalog number	Catalog number
16	UL508	EOT16U3M1-S	EOT16U3M3-S	Not available with selector handles	EOT16U3P3-S
40	UL508	EOT32U3M1-S	EOT32U3M3-S		EOT32U3P3-S
60	UL508	EOT45U3M1-S	EOT45U3M3-S		EOT45U3P3-S
80	UL508	EOT63U3M1-S	EOT63U3M3-S		EOT63U3P3-P

16-100 A, 600 VAC, 3 poles, UL508 and UL98 Pistol handle

UL general purpose amp rating	Standard	UL/NEMA Enclosure Type					
		1	3R/12	4	4X Stainless	4X Plastic ①	7 & 9 ①
		Catalog number	Catalog number	Catalog number	Catalog number	Catalog number	Catalog number
16	UL508	EOT16U3M1-P	EOT16U3M3-P	-	EOT16U3S4-P	EOT16U3P4-P	NF167-3P
40	UL508	EOT32U3M1-P	EOT32U3M3-P	-	EOT32U3S4-P	EOT32U3P4-P	NF327-3P
60	UL508	EOT45U3M1-P	EOT45U3M3-P	-	EOT45U3S4-P	EOT45U3P4-P	NF457-3P
80	UL98	EOT63U3M1-P	EOT63U3M3-P	-	EOT63U3S4-P	EOT63U3P4-P	NF637-3P
30	UL98	EOT30U3M1-P	EOT30U3M3-P	-	EOT30U3S4-P	NF30P-3PB6C	NF307-3P
60	UL98	EOT60U3M1-P	EOT60U3M3-P	-	EOT60U3S4-P	NF60P-3PB6C	NF607-3P
100	UL98	EOT100U3M1-P	EOT100U3M3-P	-	EOT100U3S4-P	NF100P-3PB6B	NF1007-3P

200-3150A, 600 VAC, 3 poles, built according to UL standards ① Pistol handle

UL general purpose amp rating	UL/NEMA Enclosure Type					
	1	3R/12	4	4X Stainless	4X Plastic	7 & 9
	Catalog number	Catalog number	Catalog number	Catalog number	Catalog number	Catalog number
200	NF2001-3PB8B	NF2003-3PB8B	NF2004-3PB8B	NF200X-3PB8B	NF200P-3PB8B	—
400	NF4001-3PB4B	NF4003-3PB4B	NF4004-3PB4B	NF400X-3PB4B	NF400P-3PB4B	—
600	NF6001-3PB7B	NF6003-3PB7B	NF6004-3PB7B	NF600X-3PB7B	NF600P-3PB7B	—
800	NF8001-3PB4A	NF8003-3PB4A	NF8004-3PB4A	NF800X-3PB4A	NF800P-3PB4A	—
1200	NF12001-3PB4A	NF12003-3PB4A	NF12004-3PB4A	NF1200X-3PB4A	NF1200P-3PB4A	—
1600	NF16001-3P8A	NF16003-3P8A	NF16004-3P8A	NF1600X-3P8A	—	—
2000	NF20001-3P8A	NF20003-3P8A	NF20004-3P8A	NF2000X-3P8A	—	—
3150 ②	NF31501-3P8A	NF31503-3P8A	NF31504-3P8A	NF3150X-3P8A	—	—

NOTE: All enclosed switches are provided with a black handle; however, most handles can be substituted with a red and yellow handle if desired.

EXAMPLE: A red/yellow selector handle for an EOT16U3M1-S can be substituted for the black selector handle by using the "S1" suffix instead of the "S" suffix, new catalog #EOT16U3M1-S1.

① NF_ disconnects are not UL listed, but built to meet UL requirements

② IEC rated only

Disconnect
switches
Enclosed

6 pole Non-fusible, 16 – 1200 A

16-1200 A, 600 VAC, 6 poles ①

Pistol handle

UL general purpose amp rating	UL/NEMA Enclosure Type					
	1	3R/12	4	4X Stainless	4X Plastic	7
	Catalog number	Catalog number	Catalog number	Catalog number	Catalog number	Catalog number
16	NF161-6PB6C	NF163-6PB6C	NF164-6PB6A	NF16X-6PB6C	NF16P-6PB6A	NF167-6P
25	NF251-6PB6C	NF253-6PB6C	NF254-6PB6A	NF25X-6PB6C	NF25P-6PB6A	NF257-6P
40	NF321-6PB6C	NF323-6PB6C	NF324-6PB6A	NF32X-6PB6C	NF32P-6PB6A	NF327-6P
60	NF451-6PB6B	NF453-6PB6B	NF454-6PB6B	NF45X-6PB6B	NF45P-6PB6B	NF457-6P
80	NF631-6PB6A	NF633-6PB6A	NF634-6PB6A	NF63X-6PB6A	NF63P-6PB6A	NF637-6P
30	NF301-6PB6B	NF303-6PB6B	NF304-6PB6B	NF30X-6PB6B	NF30P-6PB6B	–
60	NF601-6PB6C	NF603-6PB6B	NF604-6PB6B	NF60X-6PB6B	NF60P-6PB6B	–
100	NF1001-6PB6B	NF1003-6PB6B	NF1004-6PB6B	NF100X-6PB6B	NF100P-6PB6B	–
200	NF2001-6PB4B	NF2003-6PB4B	NF2004-6PB4B	NF200X-6PB4B	NF200P-6PB4B	–
400	NF4001-6PB8B	NF4003-6PB8B	NF4004-6PB8B	NF400X-6PB8B	NF400P-6PB8B	–
600	NF6001-6PB8B	NF6003-6PB8B	NF6004-6PB8B	NF600X-6PB8B	NF600P-6PB8B	–
800	NF8001-6PB8A	NF8003-6PB4A	NF8004-6PB4A	NF800X-6PB8A	NF800P-6PB8A	–
1200	NF12001-6P8A	NF12003-6PB4A	NF12004-6P8A	NF1200X-6P8A	NF1200P-6P8A	–

16-1200 A, 600 VAC, 3 poles, double throw ①

Pistol handle

UL general purpose amp rating	UL/NEMA Enclosure Type				
	1	3R/12	4	4X Stainless	4X Plastic
	Catalog number	Catalog number	Catalog number	Catalog number	Catalog number
16	NF161-3TB8C	NF163-3TB8C	NF164-3TB8C	NF16X-3TB8C	NF16P-3TB8A
25	NF251-3TB8C	NF253-3TB8C	NF254-3TB8C	NF25X-3TB8C	NF25P-3TB8A
40	NF321-3TB8C	NF323-3TB8C	NF324-3TB8C	NF32X-3TB8C	NF32P-3TB8A
60	NF451-3TB8B	NF453-3TB8B	NF454-3TB8B	NF45X-3TB8B	NF45P-3TB8B
80	NF631-3TB8A	NF633-3TB8A	NF634-3TB8A	NF63X-3TB8A	NF63P-3TB8A
30	NF301-3TB8B	NF303-3TB8B	NF304-3TB8B	NF30X-3TB8B	NF30P-3TB8B
60	NF601-3TB8B	NF603-3TB8B	NF604-3TB8B	NF60X-3TB8B	NF60P-3TB8B
100	NF1001-3TB8B	NF1003-3TB8B	NF1004-3TB8B	NF100X-3TB8B	NF100P-3TB8B
200	NF2001-3TB4B	NF2003-3TB4B	NF2004-3TB4B	NF200X-3TB4B	NF200P-3TB4B
400	NF4001-3TB4B	NF4003-3TB4B	NF4004-3TB4B	NF400X-3TB4B	NF400P-3TB4B
600	NF6001-3TB4A	NF6003-3TB4B	NF6004-3TB4A	NF600X-3TB4A	NF600P-3TB4A
800	NF8001-3TB4A	NF8003-3TB4A	NF8004-3TB4A	NF800X-3TB4A	NF800P-3TB4A
1200	NF12001-3TB4A	NF12003-3TB4A	NF12004-3TB4A	NF1200X-3TB4A	NF1200P-3TB4A

① NF_ disconnects are not UL listed, but built to meet UL requirements

3 Pole Fusible, 30 – 800 A

Disconnect
switches
Enclosed



FJ30X-3PB6B

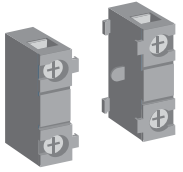
3 pole, 600V, 30-800A ①

Pistol handle

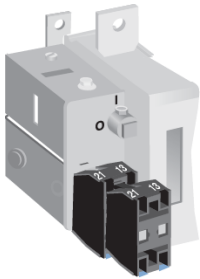
UL general purpose amp rating	Fuse Type	UL/NEMA Enclosure Type				
		1	3R/12	4	4X Stainless	4X Plastic
		Catalog number	Catalog number	Catalog number	Catalog number	Catalog number
30	J	FJ301-3PB6B	FJ303-3PB6B	FJ304-3PB6B	FJ30X-3PB6B	FJ30P-3PB6B
30	CC	FC301-3PB6B	FC303-3PB6B	FC304-3PB6B	FC30X-3PB6B	FC30P-3PB6B
60	J	FJ601-3PB6B	FJ603-3PB6B	FJ604-3PB8B	FJ60X-3PB8B	FJ60P-3PB8B
100	J	FJ1001-3PB8B	FJ1003-3PB8B	FJ1004-3PB8B	FJ100X-3PB8B	FJ100P-3PB8B
200	J	FJ2001-3PB8C	FJ2003-3PB8C	FJ2004-3PB8C	FJ200X-3PB8C	FJ200P-3PB8C
400	J	FJ4001-3PB4C	FJ4003-3PB4C	FJ4004-3PB4C	FJ400X-3PB4C	FJ400P-3PB4C
600	J	FJ6001-3PB7C	FJ6003-3PB7C	FJ6004-3PB7C	FJ600X-3PB7C	FJ600P-3PB7C
800	L	FL8001-3PB4B	FL8003-3PB4B	FL8004-3PB4B	FL800X-3PB4B	FL800P-3PB4

① Assemblies are not UL listed, but built to meet UL requirements

Accessories Non -fusible



OA1G10



OZK-

Auxiliary contacts

For use on:	Contact configuration	Catalog number
16 – 100 A	1 N.O.	OA1G10
	1 N.C.	OA1G01
	1 N.O. & 1 N.C.	OA2G11
200 - 1200 A	1 N.O.	OA1G10
	1 N.C.	OA3G01
1600 – 3150 A	1 N.O. & 1 N.C.	OZK-1
	2 N.O. & 2 N.C.	OZK-2

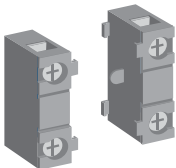
Accessories

For use on:	Description	Installation suffix code
EOT16, 32	Neutral or isolated ground block	N or G
EOT45, 63	Neutral or isolated ground block	N or G
EOT30, 60, 100	Neutral or isolated ground block	N or G
NF200 – 1200A	Neutral block	N
NF1600 – 3150A	Neutral block	N
NF200 – 1200A	Service entrance, 3 wire	U
NF200 – 1200A	Service entrance, 4 wire	V

Accessories Fusible

Auxiliary contacts

For use on:	Contact configuration	Catalog number
30A	1 N.O. + 1 N. C.	OA4B1C
60-1200	1 N.O.	OA1G10
	1 N.C.	OA3G01



OA1G10

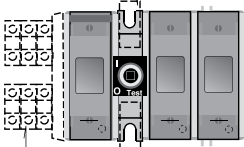


OA4B1C

Accessories

For use on:	Description	Installation suffix code
30A	Neutral block	N
60A – 100A	Neutral block	N
200A – 400A	Neutral block	N
600A – 800A	Neutral block	N
30A – 200A	Service entrance, 3 wire	U
	Service entrance, 4 wire	V
400A – 800A	Service entrance, 3 wire	U
	Service entrance, 4 wire	V

OA4B_
max 1+1



OA1G_, OA3G_ + OSZ4

Selecting disconnects for motor applications per NEC

Article 430 of the US National Electric Code includes two methods for properly sizing motor disconnects:

1. Single motor application

A properly sized disconnect switch for a single motor will:

- a) have an ampere rating greater than or equal to 115 percent of the rated motor full load current; or,
- b) have a HP rating greater than or equal to the rated motor HP (at applied voltage) if the disconnect switch under consideration is HP rated.

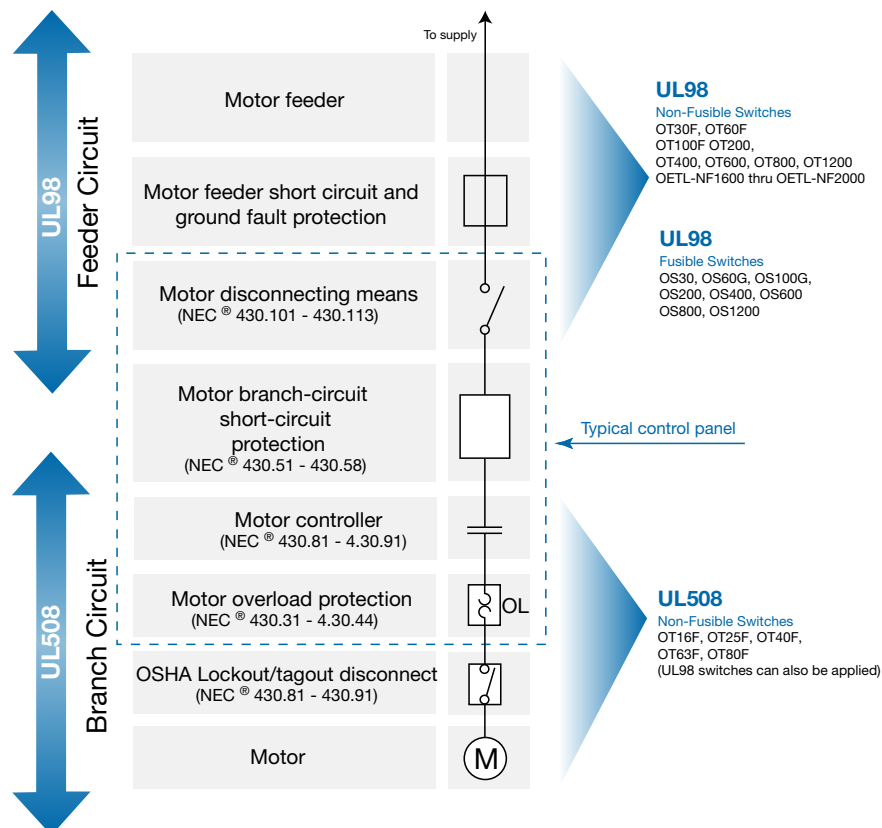
2. Combination load application

A properly sized disconnect switch for a combination load will be selected by adding all the simultaneous individual loads in the circuit under consideration.

Using motor nameplate information, load information, and tables from section 430 of the NEC, determine one equivalent full load current, one equivalent locked rotor current and equivalent HP rating. Select a disconnect switch using equivalent current and/or horsepower ratings of the combined load.

Use of UL98 & UL508 Disconnects

According to *NEC*® Article 430



UL & CSA

Catalog number	3 pole	OT16F3	OT25F3	OT40F3	OT63F3	OT80F3	OT30F3	OT60F3	OT100F3
Approvals ^①	3 pole 4 pole	UL508 & IEC UL508 & IEC	UL508 & IEC UL508 & IEC	UL508 & IEC UL508 & IEC	UL508 & IEC UL508 & IEC	UL508 & IEC UL508 & IEC	UL98 & IEC UL98 & IEC	UL98 & IEC UL98 & IEC	UL98 & IEC UL98 & IEC
General purpose amp rating pf = 0.7 – 0.8	-40° to 40°C A	20	30	40	60	80	30	60	100
Max. operating voltage	V	600	600	600	600	600	600	600	600
Max. horsepower rating/motor FLA current pf = 0.4 – 0.5 Three phase									
240V	HP/A	5/15.2	7.5/22	10/28	15/42	20/54	10/28	20/54	30/80
480V	HP/A	10/14	15/21	20/27	30/40	40/52	20/27	40/52	50/65
600V	HP/A	10/11	20/22	25/27	30/32	40/41	30/32	40/41	50/41
Single phase									
120V	HP/A	1/16	1.5/20	2/24	2/24	2/24	—	—	5/56
240V	HP/A	2/12	3/17	5/28	7.5/40	10/50	—	—	15/68
480V	HP/A	5/14	7.5/21	10/26	15/34	20/44	—	—	25/55
600V	HP/A	7.5/16	10/20	15/27	15/27	20/38.5	—	—	20/35
Short circuit rating with fuse - 480/600 V									
Fuse type CC	kA	10, 200	100	10, 200	100	10, 200	100	10, 200	100
Fuse type J	kA	10, 200	10, 100	10, 200	10, 100	100	—	100	—
Fuse type T	kA	10, 200	10, 100	10, 200	10, 100	100	—	100	—
Fuse type RK1	kA	10	—	10	—	—	—	—	—
Fuse type RK5	kA	5	5	5	5	10	5	10	5
Fuse type L	kA	—	—	—	—	—	—	—	—
Fuse type H	kA	—	—	—	—	—	5	—	—
Maximum fuse size	A	30	60	30	60	100	150	100	150
3 cycle short circuit current withstand rating ^②	kA	—	—	—	—	—	—	—	—
Endurances									
Min. Electrical endurance, pf = 0.75 – 0.80	operation cycles	6000	6000	6000	6000	6000	6000	6000	6000
Physical characteristics									
Weight, switches	3 pole lb	0.24	0.24	0.24	0.59	0.59	0.79	0.79	0.79
	4 pole lb	0.33	0.33	0.33	0.77	0.77	1.10	1.10	1.10
Dimension, switches	3 pole H in	2.68	2.68	2.68	3.60	3.60	3.94	3.94	3.94
	W in	1.38	1.38	1.38	2.07	2.07	2.76	2.76	2.76
	D in	2.20	2.20	2.20	2.85	2.85	2.95	2.95	2.95
Shaft set screw tightening torque	lb. in.	8.9	8.9	8.9	8.9	8.9	8.9	8.9	8.9
Shaft size — square □	in	.24 x .24	.24 x .24	.24 x .24	.24 x .24	.24 x .24	.24 x .24	.24 x .24	.24 x .24
	mm	6 x 6	6 x 6	6 x 6	6 x 6	6 x 6	6 x 6	6 x 6	6 x 6
Switch operating torque for rotary 3 pole switches	lb. in.	8.8	8.8	8.8	10.5	10.5	17.5	17.5	17.5
Terminal lug kits									
Wire range	AWG	#18 – 8	#18 – 8	#18 – 8	#14 – 4	#14 – 4	#14 – 4	#14 – 4	#8 – 1/0
Torque:									
Wire tightening	lb. in.	7	7	7	18	18	55	55	55
Lug mounting	lb. in.	Integral	Integral	Integral	Integral	Integral	Integral	Integral	Integral
Auxiliary contacts									
NEMA ratings, AC		OA_G_ A600	OA_G_ A600	OA_G_ A600	OA_G_ A600	OA_G_ A600	OA_G_ A600	OA_G_ A600	OA_G_ A600
AC rated voltage	VAC	600	600	600	600	600	600	600	600
AC thermal rated current	A	10	10	10	10	10	10	10	10
AC maximum volt-ampere making	VA	7200	7200	7200	7200	7200	7200	7200	7200
AC maximum volt-ampere breaking	VA	720	720	720	720	720	720	720	720
NEMA ratings, DC		R300	R300	R300	R300	R300	R300	R300	R300
DC rated voltage	VDC	300	300	300	300	300	300	300	300
DC thermal rated current	A	1	1	1	1	1	1	1	1
DC maximum make-break	VA	28	28	28	28	28	28	28	28
Torque: Wire tightening	lb. in	7	7	7	7	7	7	7	7
Wire range	AWG	#18 – 14	#18 – 14	#18 – 14	#18 – 14	#18 – 14	#18 – 14	#18 – 14	#18 – 14

① UL Listed switches are also CSA Approved.

② For 100 and 200 kA ratings, mounting hardware must be used.

③ Fuse size 70A for RK5

④ When protected by any Listed fuse or Listed circuit breaker whose current rating does not exceed the maximum thermal current rating of the switch.

Technical data

OT200 – OT1200U_

OETL-NF1600 – 2000

UL & CSA

UL & CSA

Catalog number	3 pole	OT200U03	OT400U03	OT600U03	OT800U03	OT1200U03	OETL-NF1600	OETL-NF2000
Approvals ^①	2 pole 3 pole 4 pole	UL98 & IEC UL98 & IEC UL98 & IEC	UL98 & IEC UL98 & IEC UL98 & IEC	UL98 & IEC UL98 & IEC UL98 & IEC	UL98 & IEC UL98 & IEC UL98 & IEC	UL98 & IEC UL98 & IEC UL98 & IEC	UL98 & IEC UL98 & IEC UL98 & IEC	UL98 & IEC UL98 & IEC UL98 & IEC
General purpose amp rating -40° to 40°C pf = 0.7 – 0.8	A	200	400	600	800	1200	1600	2000
Max. operating voltage	V	600	600	600	600	600	600	480
Max. horsepower rating/Max. motor FLA current, pf = 0.4 – 0.5	240V HP/A	75/192.0	125/312.0	200/480.0	200/480	—	—	—
Three phase	480V HP/A	150/180.0	250/302.0	450/515	500/590	—	—	—
	600V HP/A	200/192.0	350/336.0	500/472.0	500/472	—	—	—
Single phase	120V HP/A	10/-	—	—	—	—	—	—
	240V HP/A	10/-	10/-	50/-	—	—	—	—
	480V HP/A	10/-	—	—	—	—	—	—
	600V HP/A	10/-	—	—	—	—	—	—
Maximum General Use, DC ratings								
250VDC / 2 poles	HP/A	40/200	50/400	50/600	—	—	—	—
125VDC / 2 poles	HP/A	20/-	40/-	—	—	—	—	—
600VDC / 4 poles	HP/A	50/100	50/200	-/200	—	—	—	—
Short circuit rating with fuse - 480/600 V		②	②	②	②	②	②	②
Fuse type CC	kA	—	—	—	—	—	—	—
Fuse type J	kA	200/100	100	-/100	—	—	—	—
Fuse type T	kA	-/100	—	-/100	—	—	—	—
Fuse type RK1	kA	—	—	—	—	—	—	—
Fuse type RK5	kA	—	—	100 /—	—	—	—	—
Fuse type L	kA	—	—	-/100	100	100	100	100
Fuse type H	kA	—	—	—	—	—	—	—
Maximum fuse size	A	200/350	600	600/800	1200	1200	2000	2000
3 cycle short circuit current withstand rating ^③	kA	14	30	35	42	42	65	65
Endurances								
Min. Electrical endurance, pf = 0.75 – 0.80	operation cycles	6000	1000	1000	500	500	500	500
Physical characteristics								
Weight, switches	3 pole lb	2.9	5.7	11.4	33.5	33.5	127.7	127.7
	4 pole lb	3.5	6.8	14.3	42.9	42.9	149.7	149.7
Dimension, switches	3 pole H in	6.69	8.66	9.84	14.65	14.65	21.5	21.5
	W in	6.67	8.70	10.48	13.78	13.78	18.11	18.11
	D in	3.27	4.15	5.47	5.20	5.20	10.67	10.67
Shaft set screw tightening torque	lb. in.	14 - 17.7	—	—	—	—	—	—
Shaft size — square □in	.24 x .24	.47 x .47	.47 x .47	.47 x .47	.47 x .47	.47 x .47	.47 x .47	.47 x .47
	mm	6 x 6	12 x 12	12 x 12	12 x 12	12 x 12	12 x 12	12 x 12
Switch operating torque for rotary 3 pole switches	lb. in.	62	142	184	575	575	438	438
Terminal lug kits		OZXA-200	OZXA-400	OZXA-800	OZXA-1200	OZXA-1200	OZXA-28	OZXA-28/2
Wire range	AWG	#4-300kcmil ^④	#2-600kcmil ^④	(2)#2-600kcmil	(4)#2-600kcmil	(4)#2-600kcmil	(4)#2-600kcmil	(8)#2-600kcmil
Torque:								
Wire tightening	lb. in.	200	375	500	500	500	375	375
Lug mounting	lb. in.	72	240	480	450-670	450-670	230	230
Auxiliary contacts		OA_G_	OA_G_	OA_G_	OA_G_	OA_G_	OZXC-__	OZXC-__
NEMA ratings, AC		A600	A600	A600	A600	A600	A600	A600
AC rated voltage	VAC	600	600	600	600	600	600	600
AC thermal rated current	A	10	10	10	10	10	10	10
AC maximum volt-ampere making	VA	7200	7200	7200	7200	7200	7200	7200
AC maximum volt-ampere breaking	VA	720	720	720	720	720	720	720
NEMA ratings, DC		P600	P600	P600	P600	P600	P600	P600
DC rated voltage	VDC	600	600	600	600	600	600	600
DC thermal rated current	A	5	5	5	5	5	5	5
DC maximum make-break	VA	138	138	138	138	138	138	138
Torque: Wire tightening	lb. in	7	7	7	7	7	7	7
Wire range	AWG	#22 – #14	#22 – #14	#22 – #14	#22 – #14	#22 – #14	#22 – #14	#22 – #14

① UL Listed switches are also CSA Approved.

② W hen protected by any Listed fuse or Listed circuit breaker whose current rating does not exceed the maximum thermal current rating of the switch

③ Multi-tap lug available, please see page 19.34.

Technical data

OTDC Disconnect switches

100 - 600 A, 1000 - 1500 VDC

Technical data in accordance to UL508I for photovoltaic disconnect switches OTDC16...32U

Suitable For Use in Photovoltaic Systems in Accordance With Article 690 of the NEC.

Switch size		OTDC16U	OTDC25U	OTDC32U	
UL Listed	Standard	UL 508I & IEC	UL 508I & IEC	UL 508I & IEC	
Rated ambient temperature	°C	...+60	...+60	...+60	
Rated current /poles in series	600 V	One circuit	16/2	25/2	
		Two circuits	16/2x2	25/2x2	32/2x2
		Three circuits	16/2x3		
Short circuit rating	kA, 600 V	5	5	5	
	Protection type	RK5 Fuse	RK5 Fuse	RK5 Fuse	
Wire range	MCM	12-6 AWG	12-6 AWG	12-6 AWG	

Technical data in accordance to UL98B for photovoltaic disconnect switches OTDC100...600U

Suitable For Use in Photovoltaic Systems in Accordance With Article 690 of the NEC.

Catalogue number		OTDC100U	OTDC180U	OTDC200U	OTDC250U	OTDC320U	OTDC400U	OTDC600U
Approvals	Standard	UL 98B & IEC	UL 98B & IEC	UL 98B & IEC	UL 98B & IEC	UL 98B & IEC	UL 98B & IEC	UL 98B & IEC
Rated ambient temperature	°C	-20...+50	-20...+50	-20...+50	-20...+50	-20...+50	-20...+50	-20...+50
Rated current /poles in series	1000 V	One circuit	100/2	200/2	250/2	320/2	400/2	600/2
		Two circuits	100/2	180/2		250/2	320/2	400/2
		1500 V	One circuit			250/3	320/3	400/3
Short circuit rating	kA, 1000 V	5	5	5	10	10	10	10
	Protection type	Circuit breaker	Circuit breaker	Circuit breaker	Circuit breaker	Circuit breaker	Circuit breaker	Circuit breaker
Wire range	MCM	#4-300	#4-300	#4-300	#2 - 600	#2 - 600	#2 - 600	#2 - 600
IEC equivalent		OTDC160E	OTDC250E	OTDC250E	OTDC315E	OTDC400E	OTDC500E	OTDC630E

Technical data

OS30 – OS1200

UL & CSA

Disconnect
switches
Technical
data

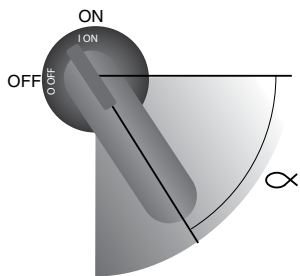
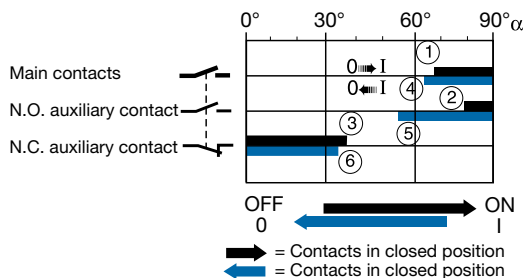
UL & CSA

Catalog number	3 pole	OS30FA_12	OS60GJ12	OS100GJ03	OS200J03	OS400J03	OS600J03	OS800L03	OS1200L03
Approvals ①	2 pole 3 pole 4 pole	N/A UL98 & IEC UL98 & IEC	UL98 & IEC UL98 & IEC UL98 & IEC	UL98 & IEC UL98 & IEC UL98 & IEC	UL98 & IEC UL98 & IEC UL98 & IEC	UL98 & IEC UL98 & IEC UL98 & IEC	UL98 & IEC UL98 & IEC UL98 & IEC	UL98 & IEC UL98 & IEC UL98 & IEC	UL98 & IEC UL98 & IEC UL98 & IEC
Technical ratings	-40° to 40°C								
General purpose amp rating pf = 0.7 – 0.8	A	30	60	100	200	400	600	800	1200
Max operating voltage	V	600	600	600	600	600	600	600	600
Max horsepower rating/ Max motor FLA current pf = 0.4 – 0.5 Three phase									
240V	HP/A	7.5/22.0	15/42.0	30/80.0	60/154.0	125/312.0	200/480.0	250/602.0	—
480V	HP/A	15/21.0	30/40.0	60/77.0	125/156.0	250/302.0	400/477.0	500/590.0	—
600V	HP/A	20/22.0	50/52.0	75/77.0	150/144.0	350/336.0	500/472.0	500/472.0	—
Single phase									
120V	HP/A	2/24.0	—	—	—	—	—	—	—
240V	HP/A	3/17.0	—	—	—	—	—	—	—
Short circuit rating with fuse	kA	200	200	200	200	200	200	200	200
UL Fuse size	A	30	60	100	200	400	600	800	1200
UL Fuse type	J/CC	J	J	J	J	J	J	L	L
Endurances									
Min. Electrical endurance, pf = 0.75 – 0.80 operation cycles		6000	6000	6000	6000	1000	1000	500	500
Physical characteristics									
Weight	3 pole lb 4 pole lb	1.54 1.98	2.86 3.52	3.30 3.96	5.9 7.5	12.56 15.21	28.66 37.48	28.66 37.48	63.93 —
Dimension	3 pole H in W in D in	3.66 4.15 4.10	3.94 5.63 5.04	5.67 7.07 5.10	6.5 7.1 5.2	9.29 10.04 6.93	12.04 13.50 9.17	12.04 13.50 9.17	16.7 16.42 11.62
Shaft size square □	in mm	.24 x .24 6 x 6	.24 x .24 6 x 6	.24 x .24 6 x 6	.24 x .24 6 x 6	.47 x .47 12 x 12	.47 x .47 12 x 12	.47 x .47 12 x 12	.47 x .47 12 x 12
Switch operating torque for rotary 3 pole switches	lb. in.	26.6	35.5	70.9	195	195	336	336	575
Terminal lug kits									
Wire range	AWG	Integral #18 – 8	Integral #14 – 4	OZXA-24 #14 – 2/0	OZXA-200 #4 – 300kcmil	OZXA-400 #2 – 600kcmil	OZXA-800 (2) #2 – 600 kcmil	OZXA-800 (2) #2 – 600 kcmil	OZXA-1200 (4)#2-600kcmil
Torque:									
Wire tightening	lb. in.	17	30	120	200	500	500	500	500
Lug mounting	lb. in.	N/A	N/A	50	72	480	480	480	480
Auxiliary contacts		OA4B_	OA1/3G_	OA_G_	OA_G_	OA_G_	OA_G_	OA_G_	OA_G_
NEMA ratings, AC		—	A600	A600	A600	A600	A600	A600	A600
AC rated voltage	VAC	250	600	600	600	600	600	600	600
AC thermal rated current	A	6	10	10	10	10	10	10	10
AC maximum volt ampere making	VA	—	7200	7200	7200	7200	7200	7200	7200
AC maximum volt ampere breaking	VA	—	720	720	720	720	720	720	720
NEMA ratings, DC		—	P300	R300	R300	P600	P600	P600	P600
DC rated voltage	VDC	—	300	300	300	600	600	600	600
DC thermal rated current	A	—	1	1	1	1	1	1	1
DC maximum make break current	A	—	28	28	28	28	28	28	28
Torque:									
Wire tightening	lb. in.	7	7	7	7	7	7	7	7
Wire range	AWG	#22 – 14/#18 – 14	#18 – 14	#18 – 14	#18 – 14	#18 – 14	#18 – 14	#20 – 12	#20 – 12

① The following UL Listed switches are also CSA approved.

Auxiliary contact timing diagrams OT16 – OT100

Legend



Contacts closing

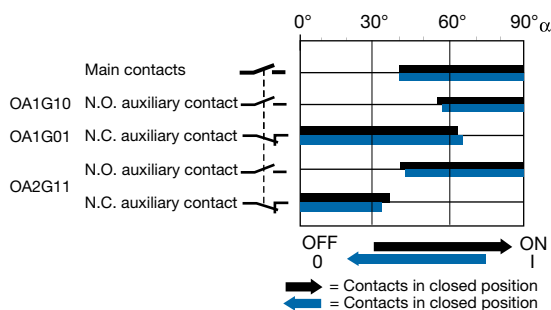
- ① Main contacts close
- ② N.O. auxiliary contacts close
- ③ N.C. auxiliary contacts open

Contacts opening

- ④ Main contacts open
- ⑤ N.O. auxiliary contacts open
- ⑥ N.C. auxiliary contacts close

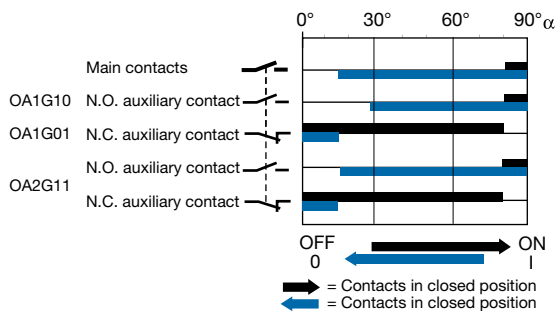
OT16, OT25, OT40

Catalog number	Auxiliary contact	Contact configuratio
OT16, OT25, OT40	OA1G10 OA1G01 OA2G11	1 N.O. 1 N.C. 1 N.O. & 1 N.C.



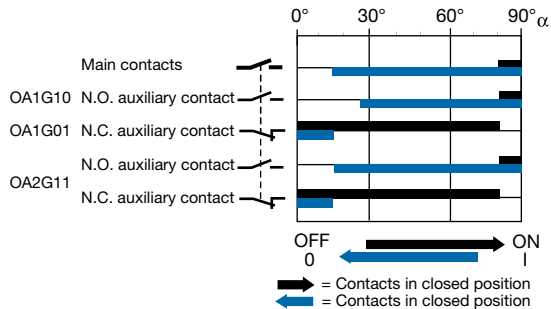
OT63, OT80

Catalog number	Auxiliary contact	Contact configuratio
OT63, OT80	OA1G10 OA1G01 OA2G11	1 N.O. 1 N.C. 1 N.O. & 1 N.C.



OT30, OT60, OT100

Catalog number	Auxiliary contact	Contact configuratio
OT30, OT60, OT100	OA1G10 OA1G01 OA2G11	1 N.O. 1 N.C. 1 N.O. & 1 N.C.



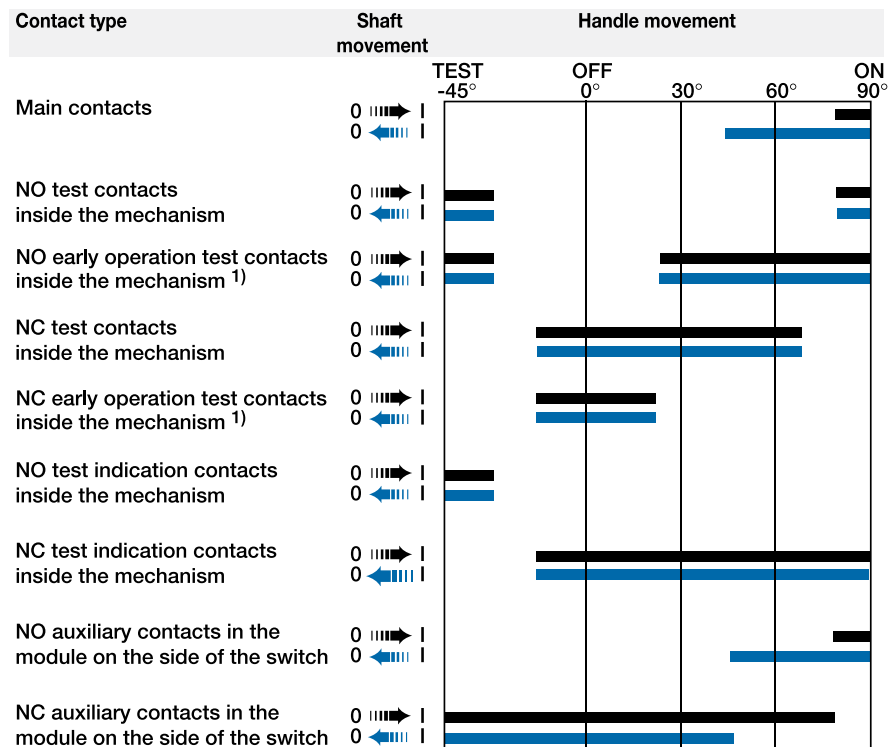
Auxiliary contact timing diagrams

OT200U - OT1200U

OETL-NF1600 - OETL-NF2000

OT200U – OT1200U

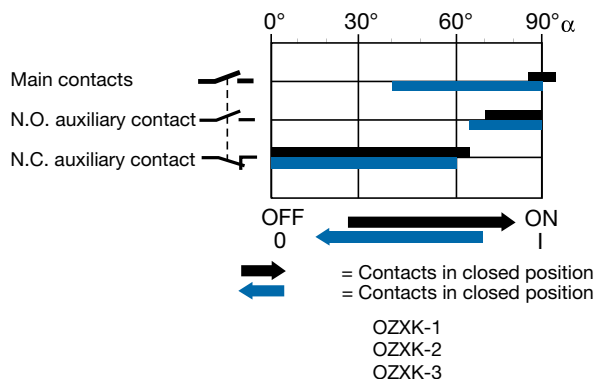
Catalog number	Auxiliary contact	Contact configuratio
OT200U - OT1200U	OA1G10 OA3G01	1 N.O. 1 N.C.



1) OT800 - 1200 only

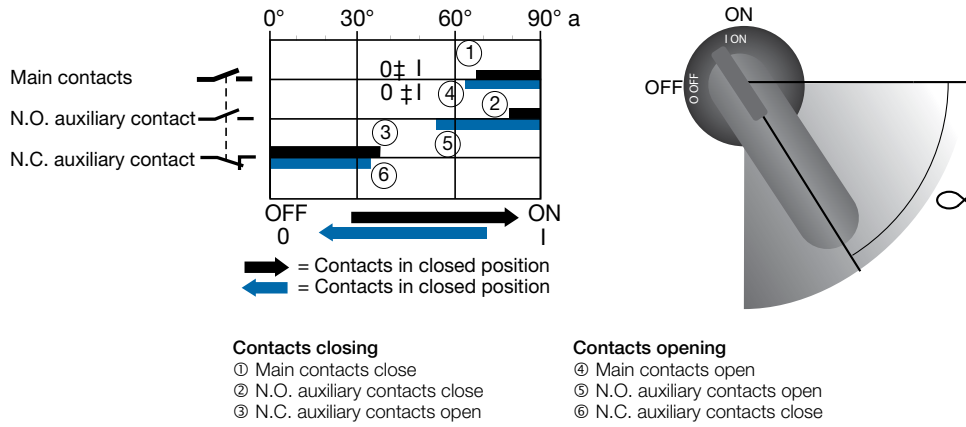
OETL-NF1600 – OETL-NF2000

Catalog number	Auxiliary contact	Contact configuratio
OETL-NF1600 - OETL-NF2000	OZXK-1 OZXK-2 OZXK-3	1 N.O. & 1 N.C. 2 N.O. & 2 N.C. 4 N.O. & 4 N.C.



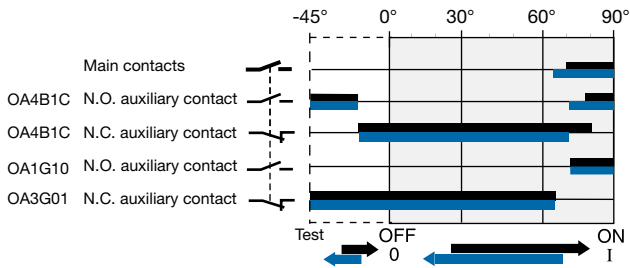
Auxiliary contact timing diagrams OS30

Legend



OS30

Catalog number	Auxiliary contact	Contact configuration
OS30_	OA4B1C	1 N.O. & 1 N.C.
	OA1G10	1 N.O.
	OA3G01	1 N.C.

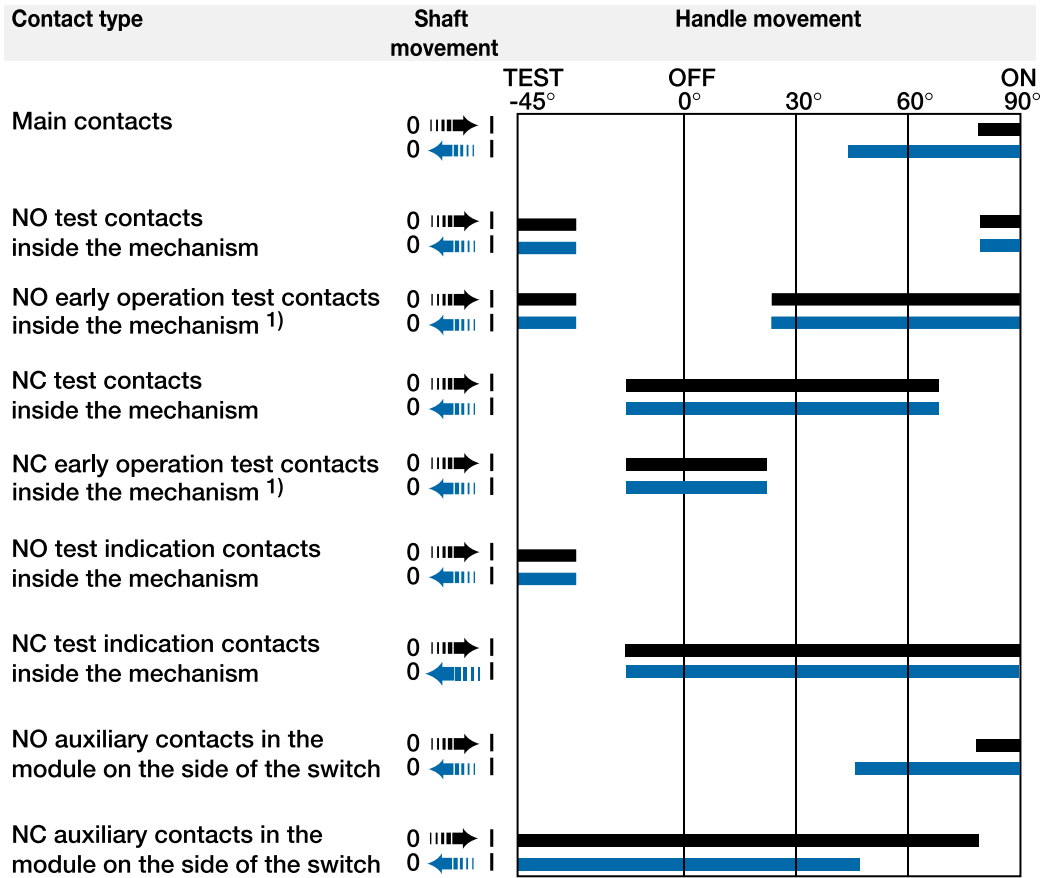


Auxiliary contact timing diagrams

OS60 - OS1200

Disconnect
switches
Technical
data

OS60 - OS1200



1) OS1200 only

NEMA Environmental ratings

Introduction

An enclosure is a surrounding case constructed to provide a degree of protection to personnel against accidental contact with the enclosed equipment and to provide a degree of protection to the enclosed equipment against specified environmental conditions.

A brief description of the more common types of enclosures used by the electrical industry relating to their environmental capabilities

follows. Refer to NEMA Standards Publication for more information regarding applications, features and design tests. Individual NEMA product Standards Publications or third party certification standards may contain additional requirements for product testing and performance.

Definitions pertaining to nonhazardous locations



Type 1

Enclosures are intended for indoor use primarily to provide a degree of protection against limited amounts of falling dirt. (NEMA Standard 7-15-1991.)



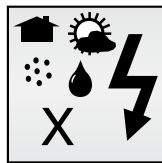
Type 3R

Enclosures are intended for outdoor use primarily to provide a degree of protection against rain, sleet and damage from external ice formation. (NEMA Standard 7-15-1991.)



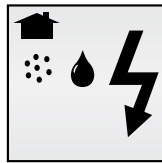
Type 4

Enclosures are intended for indoor or outdoor use primarily to provide a degree of protection against windblown dust and rain, splashing water, hose-directed water and damage from external ice formation. (NEMA Standard 1-10-1979.)



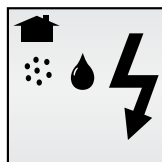
Type 4X

Enclosures are intended for indoor or outdoor use primarily to provide a degree of protection against corrosion, windblown dust and rain, splashing water, hose-directed water and damage from external ice formation. (NEMA Standard 1-10-1979)



Type 12

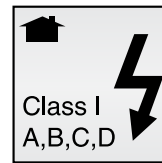
Enclosures are intended for indoor use primarily to provide a degree of protection against circulating dust, falling dirt, and dripping noncorrosive liquids. (NEMA Standard 7-15-1991.)



Type 13

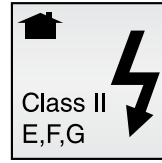
Enclosures are intended for indoor use primarily to provide a degree of protection against dust, spraying of water, oil and noncorrosive coolant. (NEMA Standard 1-10-1979.)

Definitions pertaining to hazardous locations



Type 7

Enclosures are intended for indoor use in locations classified as Class I, Groups A, B, C, or D, as defined in the National Electrical Code. (NFPA 70)








Type 9

Enclosures are intended for indoor use in locations classified as Class II, Groups E, F, or G, as defined in the National Electrical Code. (NEMA Standard 7-15-1991.)

NFPA 70.

Legend








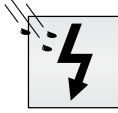

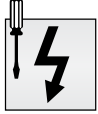






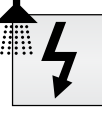


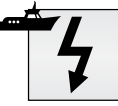


-  – Indoors
-  – Outdoors
-  – Water
-  – Dirt/dust
-  – Corrosion

IEC Environmental ratings

Disconnect
switches
Technical
data

IP ratings

indicate the degree of protection against dust, liquids and impacts. The IP degrees of protection are defined by IEC 60529. To rate a device's degrees of protection, the letters IP are followed by up to three numbers. These numbers are defined as follows

first number protection against solid objects	second number protection against liquids	third number protection against mechanical impacts
<p>IP 0  no protection</p>	<p>IP 0  no protection</p>	<p>IP 0  no protection</p>
<p>1  protected against solid objects over 50mm (e.g. accidental touch by hands.)</p>	<p>1  protected against vertically falling rain or condensation</p>	<p>1  impact 0,225 joule 150g falling from 15 cm</p>
<p>2  protected against solid objects over 12 mm (e.g. fingers)</p>	<p>2  protected against direct sprays of water up to 15° from vertical</p>	<p>2  impact 0,375 joule 250g falling from 15 cm</p>
<p>3  protected against solid objects over 2.5 mm (tools & wires)</p>	<p>3  protected against sprays to 60° from vertical</p>	<p>3  impact 0,50 joule 250g falling from 20cm</p>
<p>4  protected against solid objects over 1mm (small tools & small wires)</p>	<p>4  protected against water sprayed from all directions</p>	<p>5  impact 2,00 joule 500g falling from 40 cm</p>
<p>5  protected against dust (no harmful deposit)</p>	<p>5  protected against low pressure jets of water from all directions</p>	<p>7  impact 6,00 joule 1.5kg falling from 40 cm</p>
<p>6  totally protected against dust</p>	<p>6  protected from strong jets of water (e.g. for use on ship decks)</p>	<p>9  impact 20,00 joule 5 kg falling from 40 cm</p>
	<p>7  protected against the effects of immersion between 15cm and 1m</p>	

Definition

AC – Alternating current — Current that reverses its direction of flow twice per cycle

Ambient temperature — Temperature of the air surrounding the unit.

Amp rating — The basic unit of measurement for electric current (columbs / seconds).

Conventional thermal current I_{th} — Value of the current the disconnect switch can withstand with poles in closed position, in free air for an eight hour duty, without the temperature rise of its various parts exceeding the limits specified by the standards.

Cycle duration — Total time of the on-load + off-load period.

DC – Direct current — Current that flows in only one direction.

Electrical endurance — Number of on-load operating cycles.

IEC environmental protection type — see page 19.48.

Full load amp current FLA — The current required by a motor to produce full-load torque at the motor's rated speed.

Inductive load — An electrical load characterized by having significant inrush (5 to 6 times FLA for typical design-B AC induction motors).

kW — Kilowatts (1000 watts)

Lockout/Tagout — Means of removing power from electrical equipment during inspection, service or repair.

Make / Break — ON / OFF

Mechanical endurance — Number of off-load operating cycles.

Poles in series — Means of connection poles using wires or bus bars to increase breaking capacity of load.

Power factor — The relationship between working power and total power consumed. Power factor measures how effectively electrical power is being used.

Rated insulation U_i — Voltage value which designates the unit and to which dielectric tests, clearance and creepage distances are referred.

Rated operating current I_e — Current value stated by the

manufacturer and taking into account the rated operating voltage U_e, the rated frequency, the rated duty, the utilization category, the electrical contact life and the type of protective enclosure.

Rated operating voltage U_e — Voltage value to which utilization characteristics of the disconnect switch are referred, i.e. phase-to-phase voltage in 3 phase circuits.

Rated short circuit making capacity I_{cm} — The rated short-circuit making capacity of a disconnect switch, a disconnect or a switch-disconnector is the value assigned to equipment at the rated operational voltage, frequency (if any) and specified power factor for AC or time constant for DC. It is expressed as the maximum prospective peak current under prescribed conditions.

Rated short time withstand current I_{cw} — The rated short-time withstand current of a disconnect switch, a disconnect or a switch-disconnector is the value that the equipment can carry without damage, under the test conditions specified in the relevant product standard. The value of the rated short-time withstand current shall be not less than twelve times the maximum rated operational current unless otherwise stated by manufacturer and the duration of the current shall be 1 s.

Resistive load — An electrical load characterized by not having any significant inrush current.

Short circuit protection coordination — Co-ordination types "1" and "2" are defined in IEC 947-4-1

Type 1 coordination — There has to be no discharge of parts beyond the enclosure. Damage to the contactor and the overload is acceptable.

Type 2 coordination — No damage to the overload relay or other parts has occurred, except that welding of contactor or starter contacts is permitted, if they are easily separated.

Time constant — Ratio of inductance to the resistance:
 $L/R = \text{mH}/\text{Ohm} = \text{ms}$.

Torque — The force that produces rotation. It is commonly measured in pound-feet (lb-ft). Torque applies to such things as motor operations, handle rotations, wire tightening.

NEMA environmental protection type — see page 19.47.

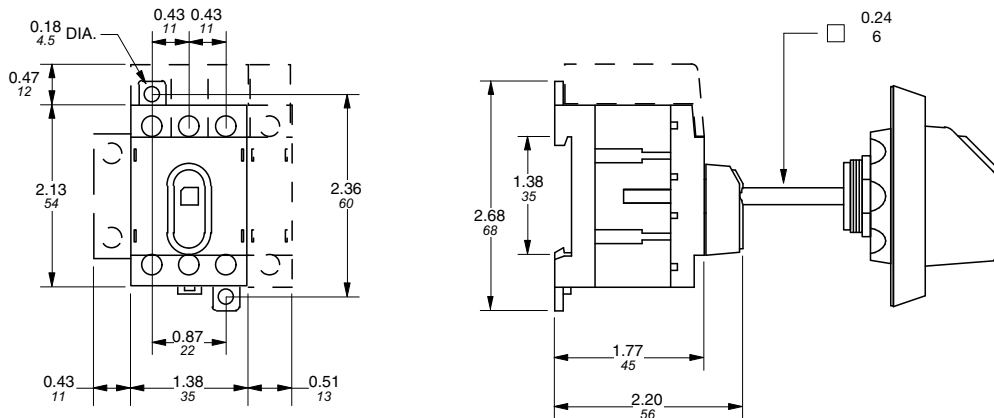
Volt — The unit of electrical potential difference and electromotive force.

Approximate dimensions OT16 – OT100

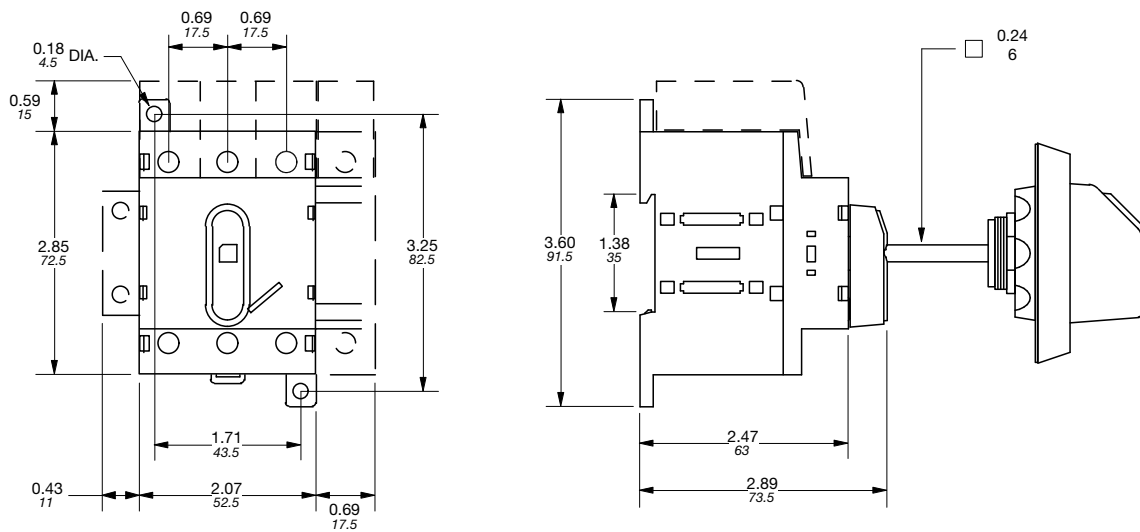
Disconnect
switches
Dimensions

← 00.00 [Inches]
00.00 → [Millimeters]

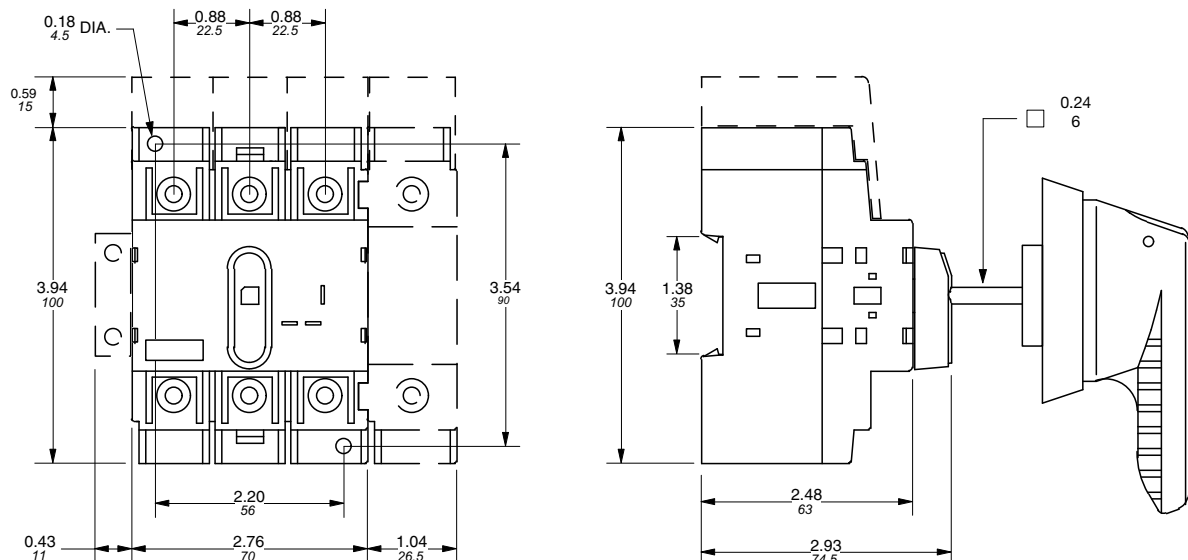
OT16F3, OT25F3, OT40F3 – base & DIN rail mounted switch



OT63F3, OT80F3 – base & DIN rail mounted switch

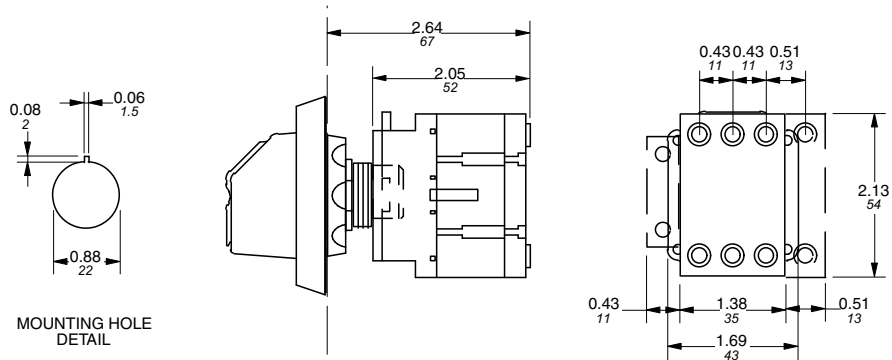


OT30F3, OT60F3, OT100F3 – base & DIN rail mounted switch

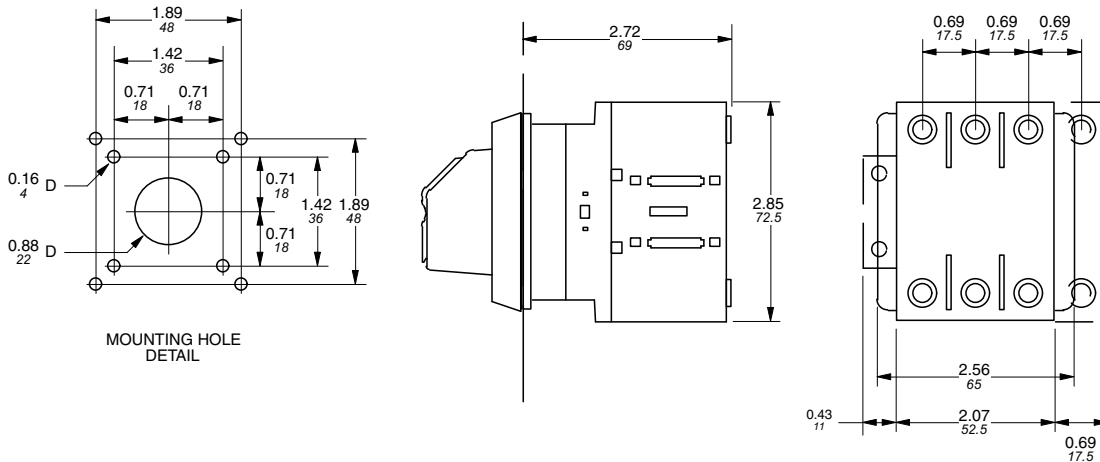


Approximate dimensions OT16 – OT100

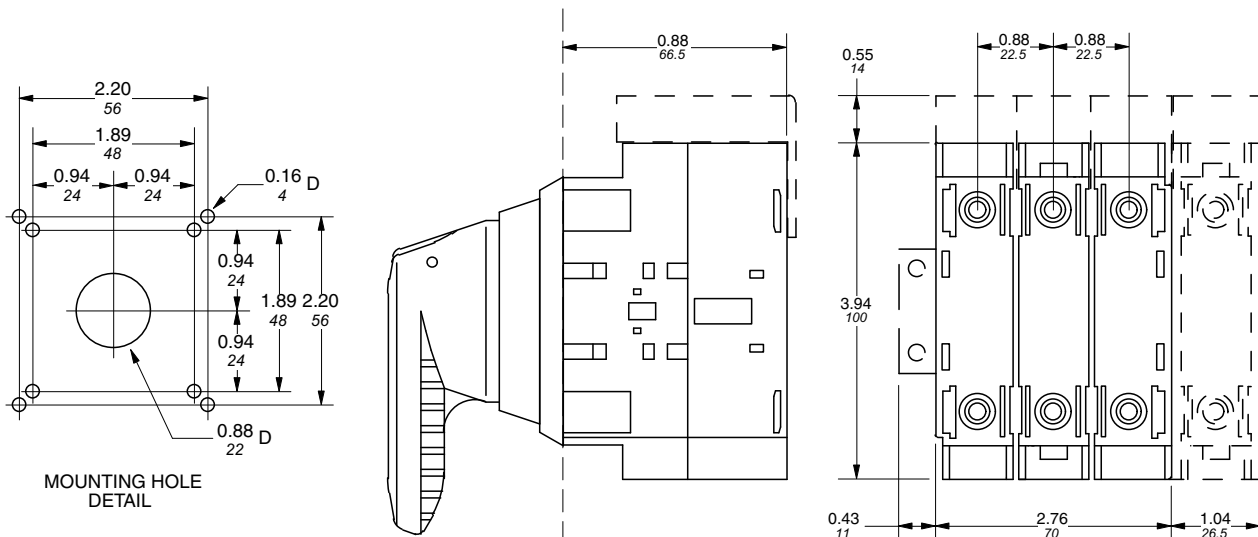
OT16FT3, OT25FT3, OT40FT3 – door mounted switch



OT63FT3, OT80FT3 – door mounted switch



OT30FT3, OT60FT3, OT100FT3 – door mounted switch



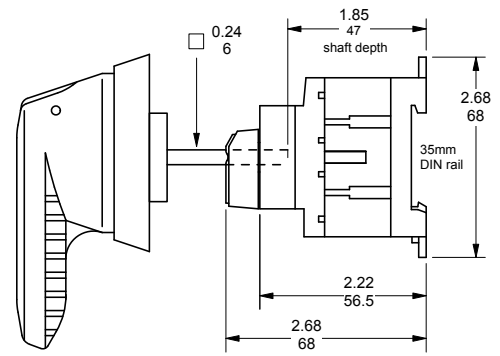
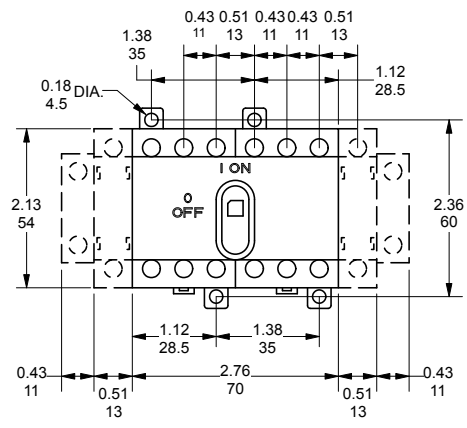
19

Disconnect switches
Dimensions

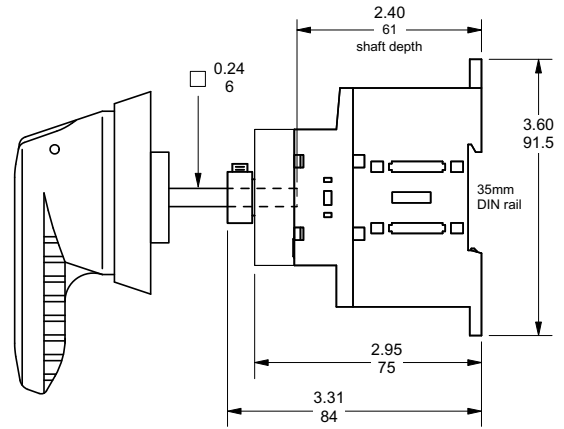
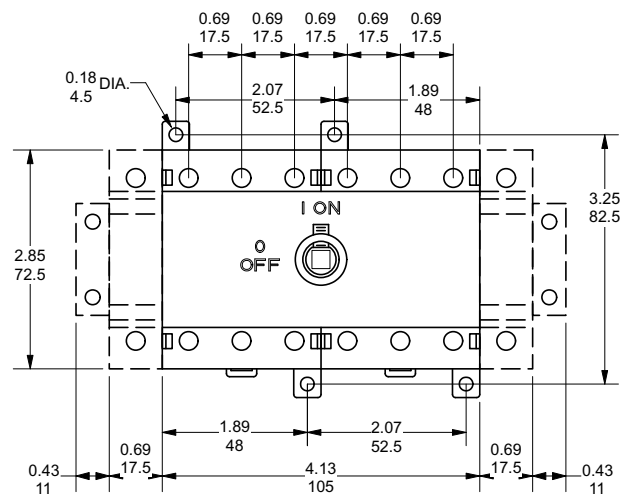
Approximate dimensions OT16F6 – OT100F6 6-pole switches

00.00 [Inches]
00.00

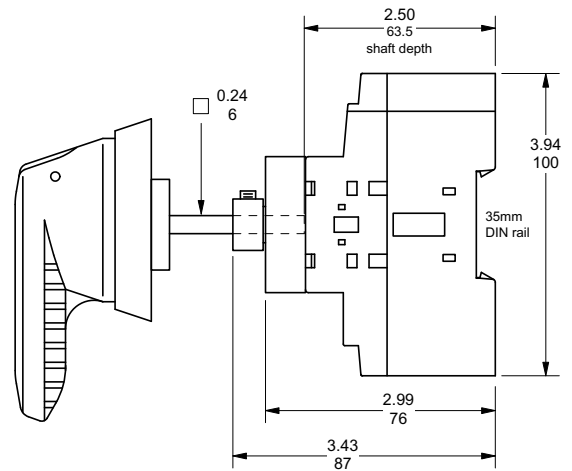
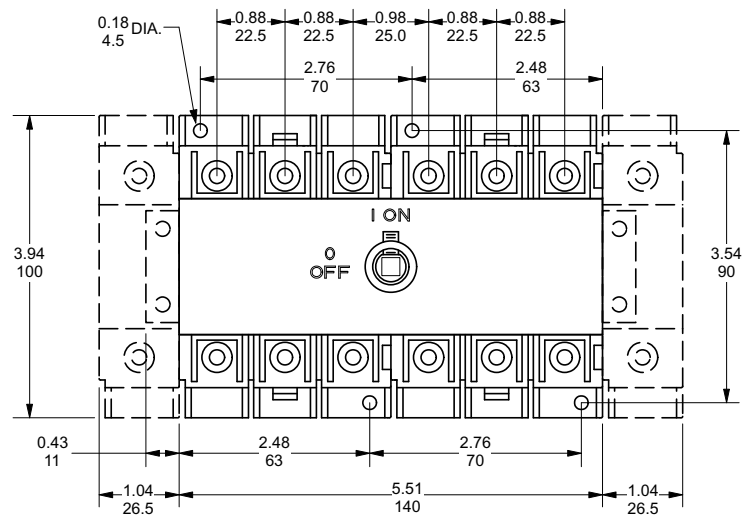
OT16, 25, 40F6 – 6 Pole switches



OT63, OT80F6 – 6 Pole switches

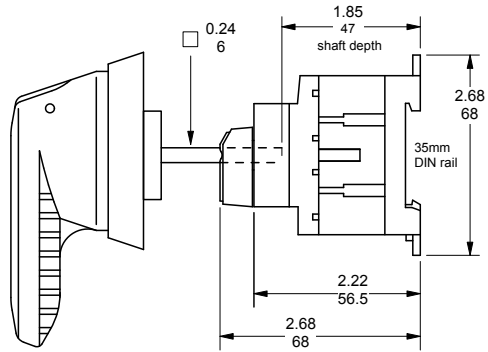
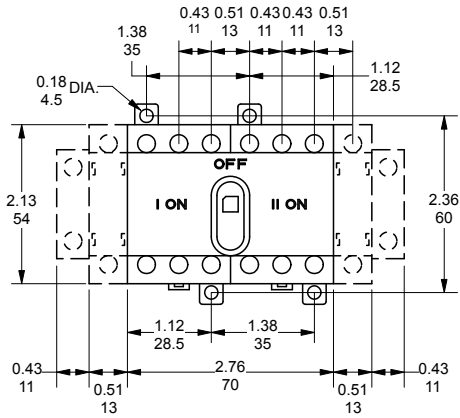


OT30, OT60, OT100F6 – 6 Pole switches

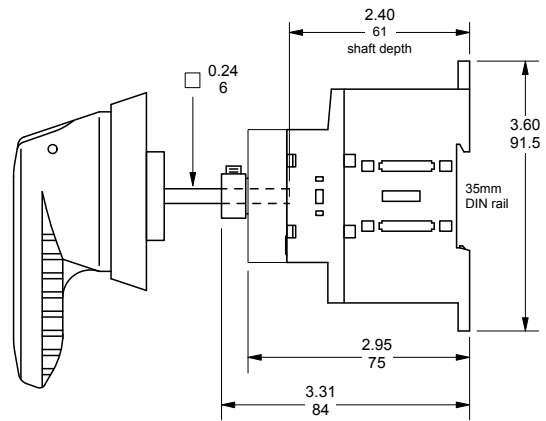
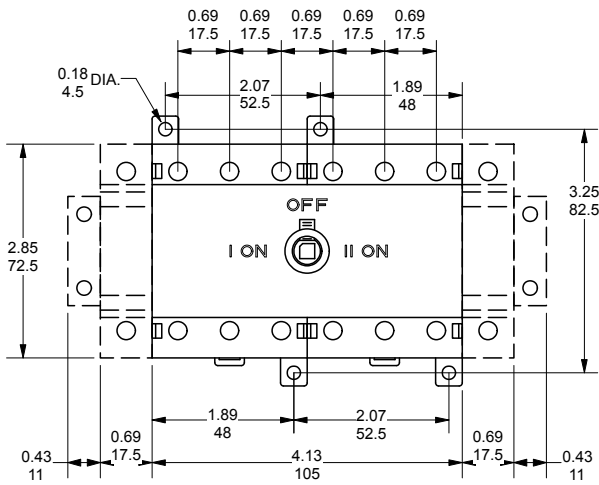


Approximate dimensions OT16 – OT100F3C Double throw switches

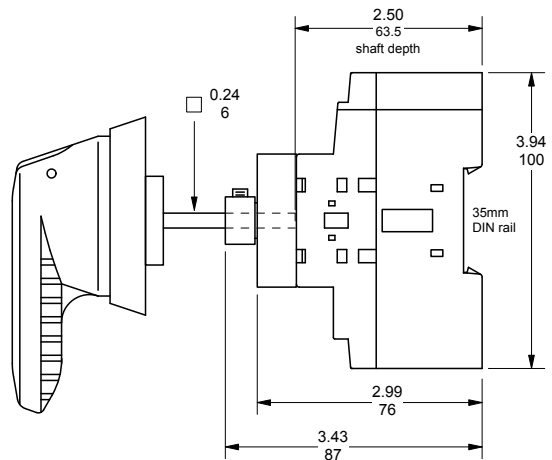
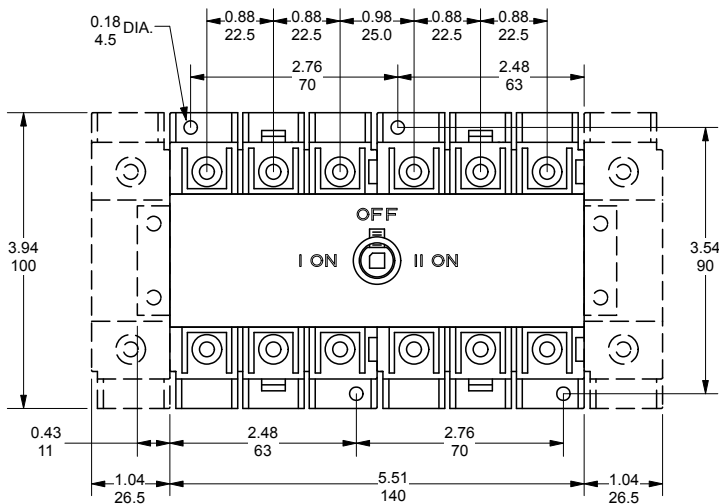
OT16, OT25, OT40F3C – Double throw switches



OT45, OT63, OT80F3C – Double throw switches



OT30, OT60, OT100F3C – Double throw switches



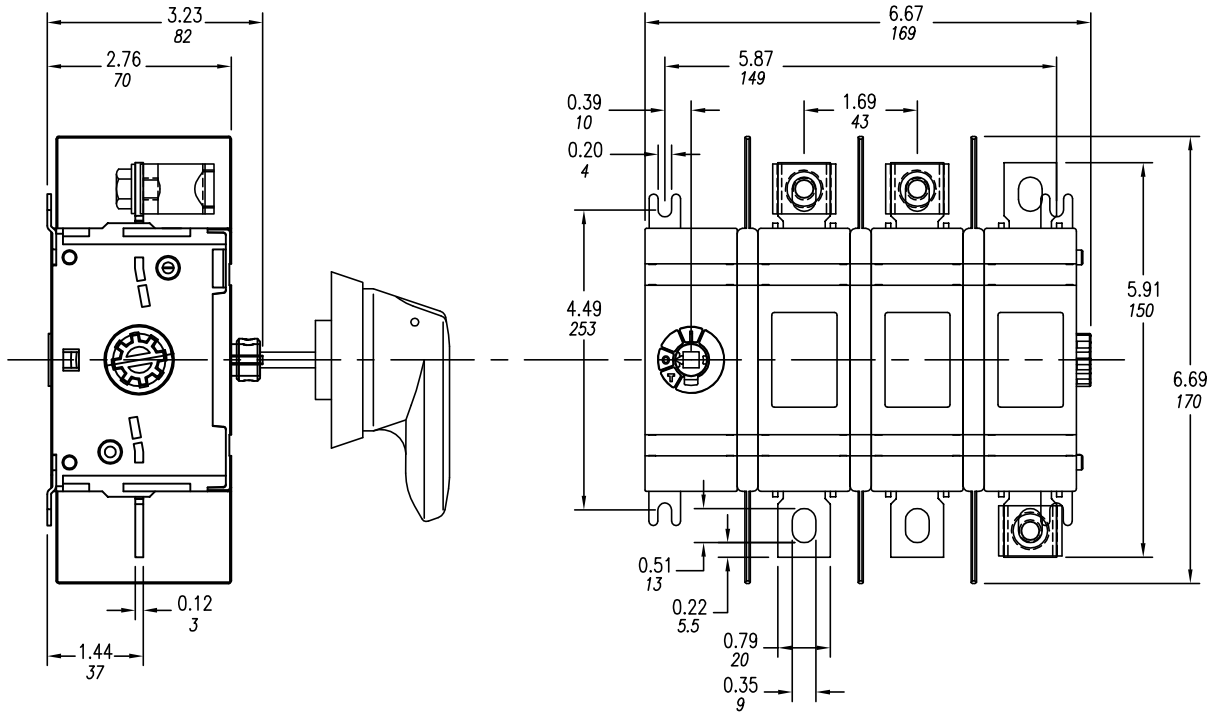
19

Approximate dimensions OT200_ – OT400_

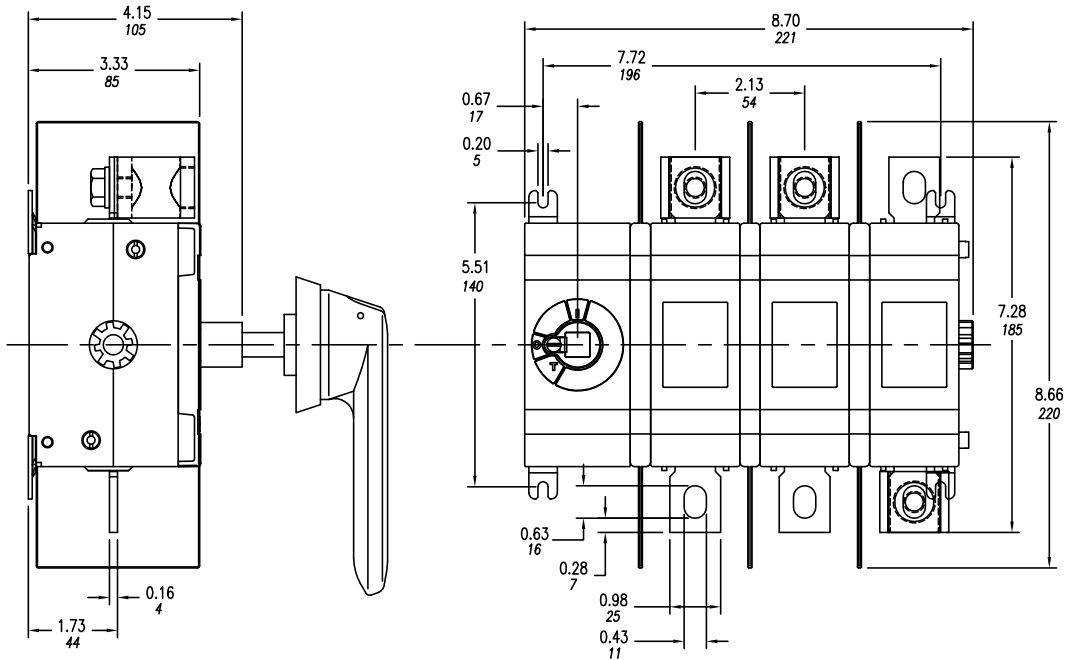
Disconnect
switches
Dimensions

00.00 [Inches]
00.00

OT200U03

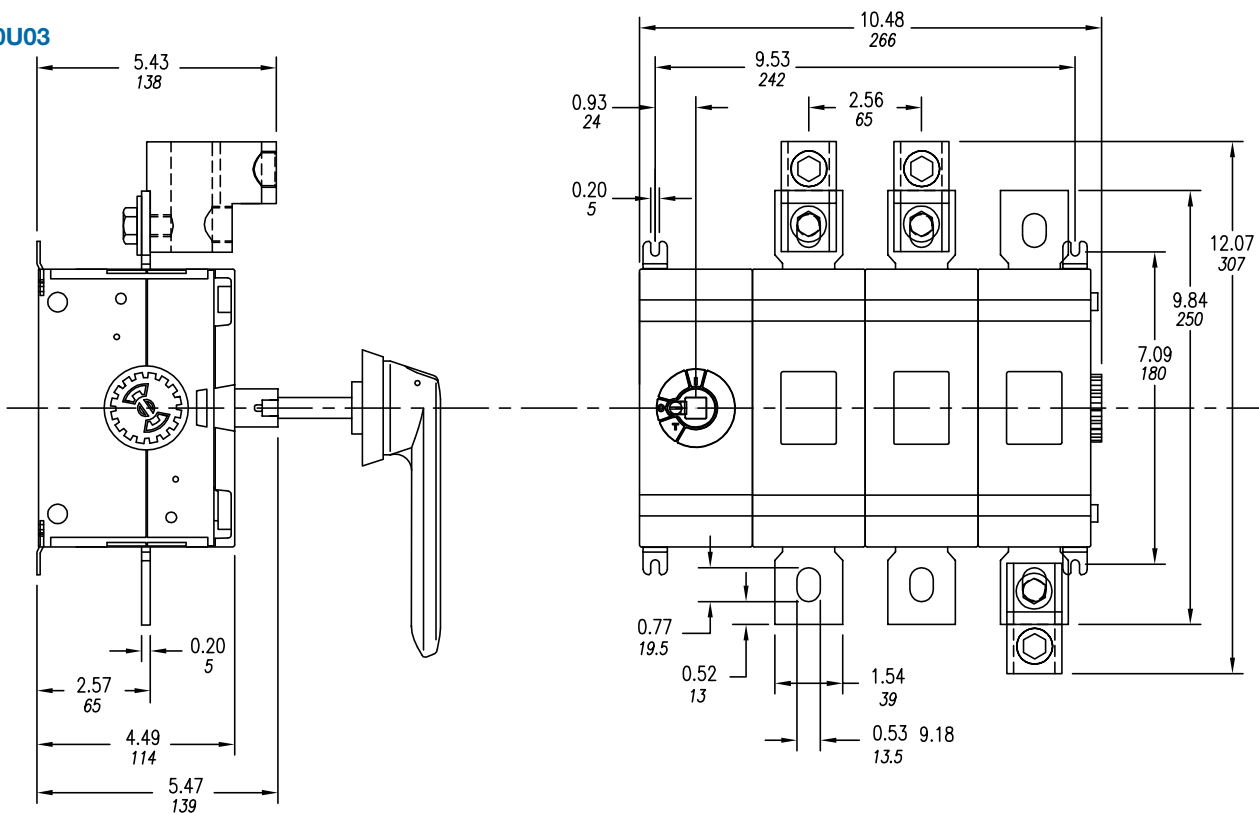


OT400U03

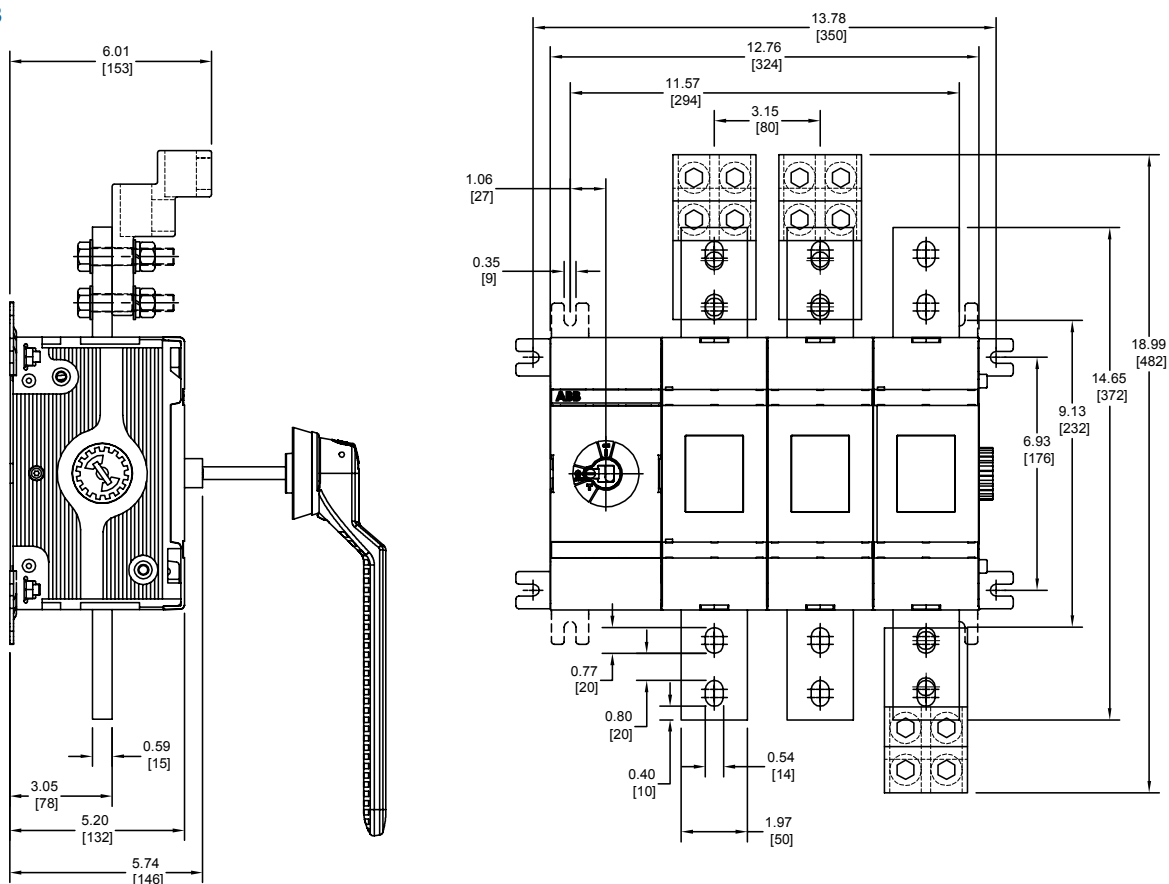


Approximate dimensions OT600U03 – OT800U03

OT600U03



OT800U03

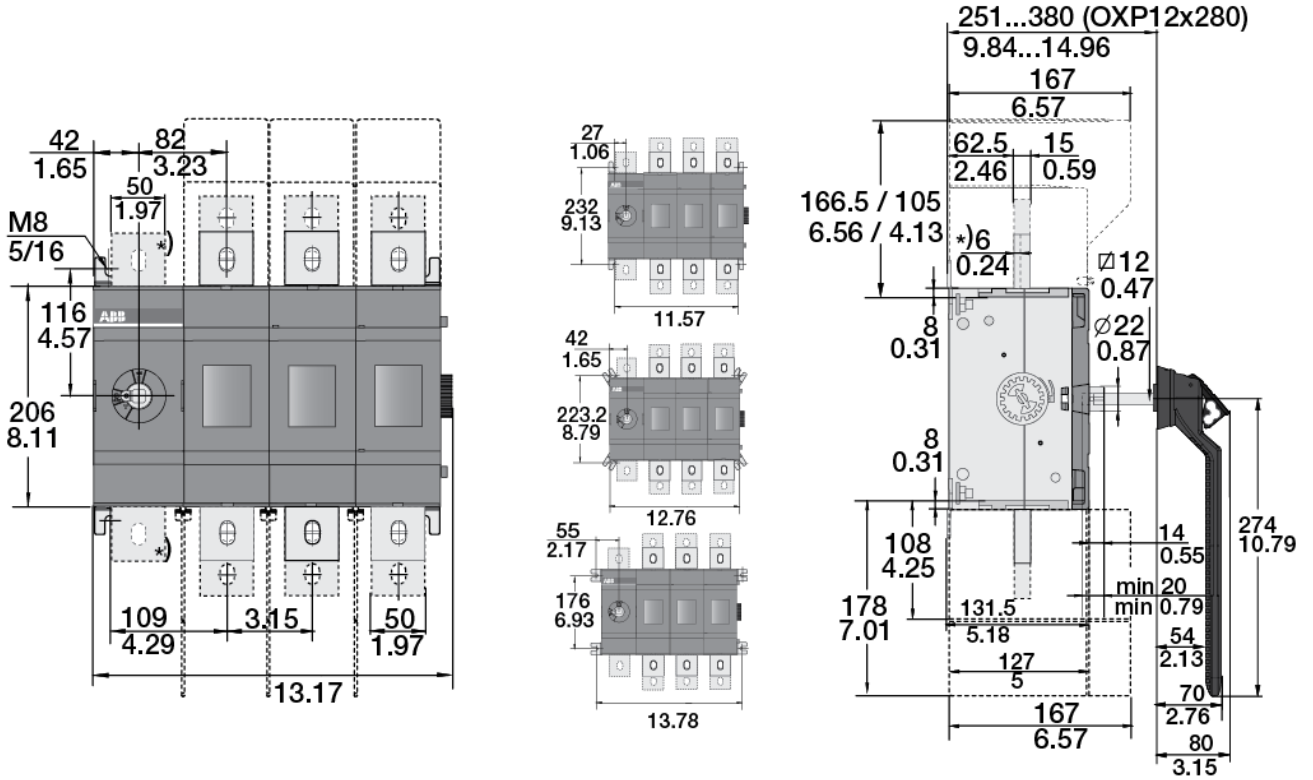


Approximate dimensions OT1200U03 – OETL-NF1600

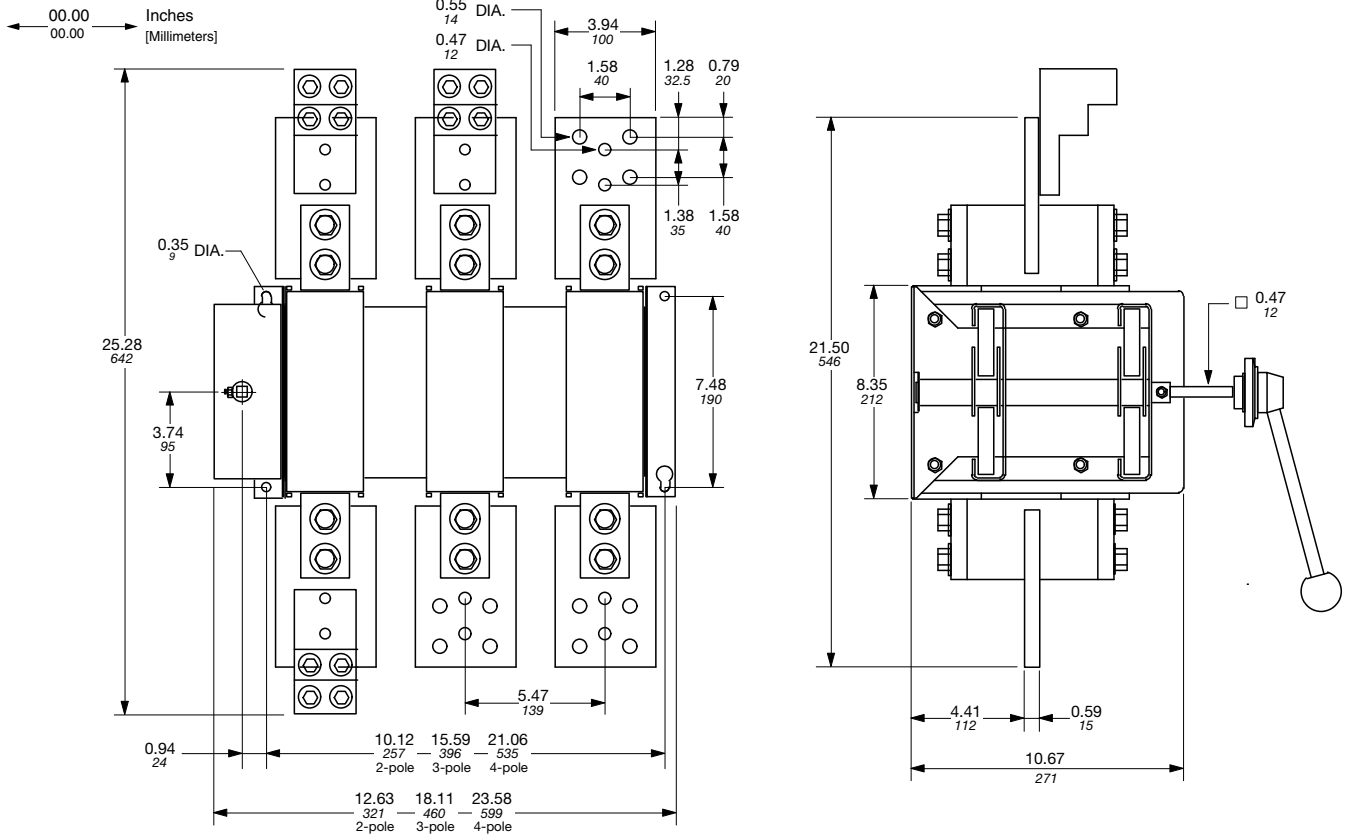
Disconnect
switches
Dimensions

← 00.00 [Inches] →
00.00 Inches

OT1200U03

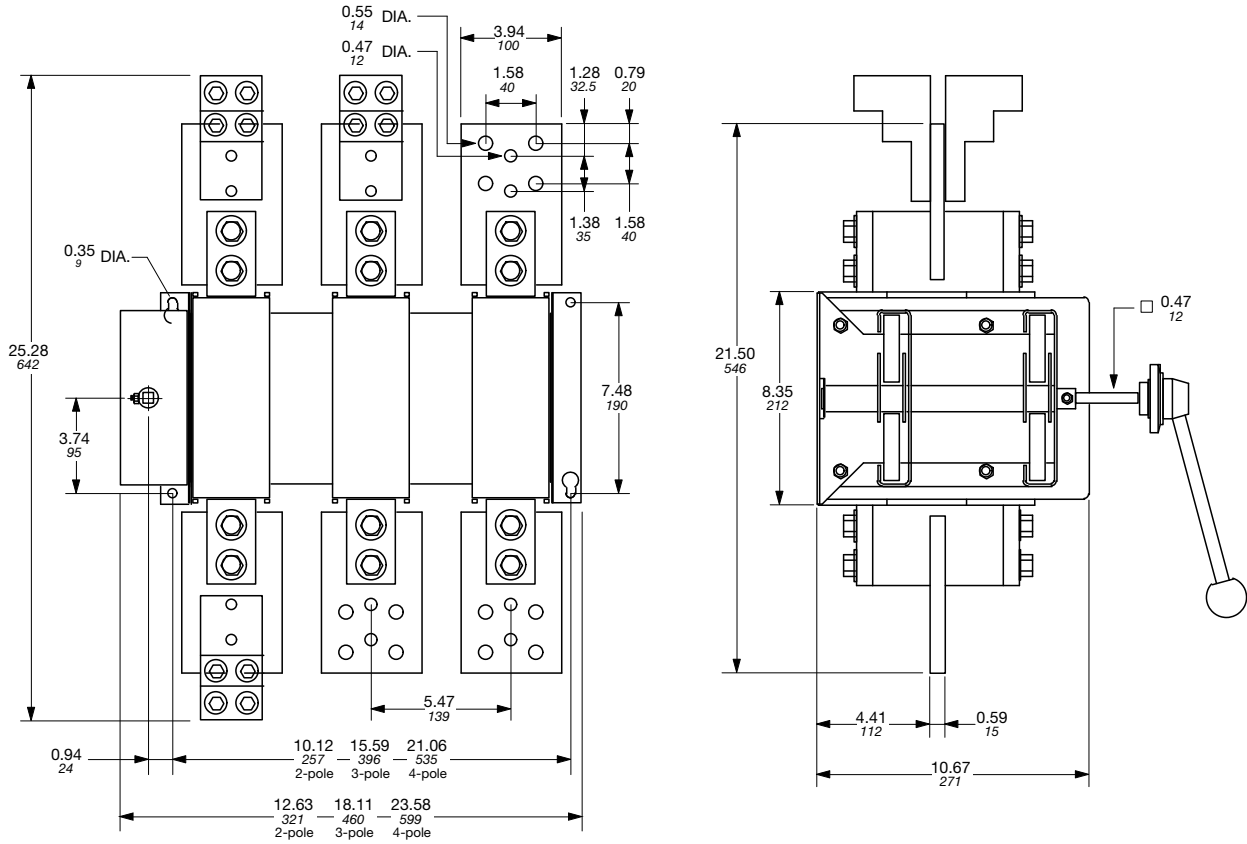


OETL-NF1600



Approximate dimensions OETL-NF2000

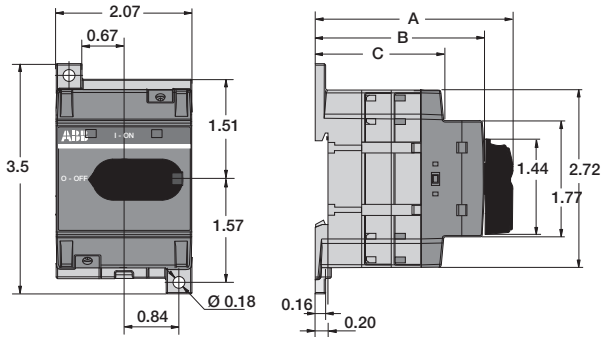
OETL-NF2000



Approximate dimensions OTDC

Disconnect
switches
Dimensions

OTDC16...32US_, base or DIN rail mounted

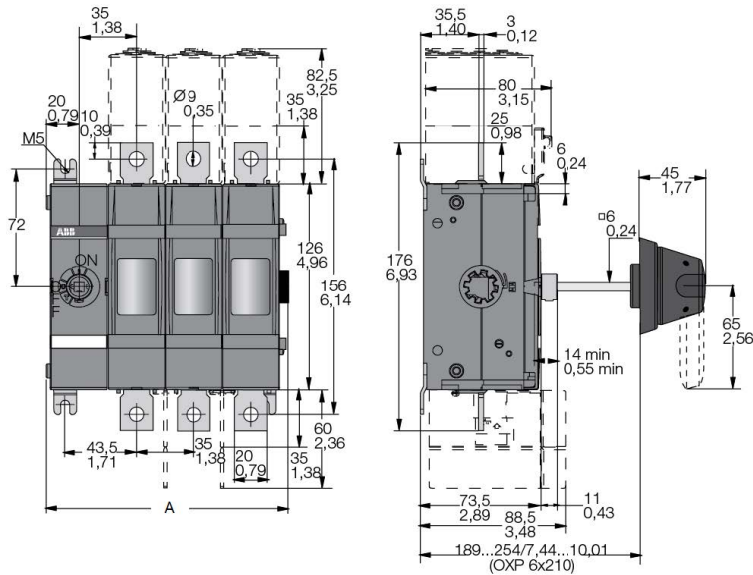


Dimension [in]				
Number of poles	A	B	C	D
2	2.60	2.13	1.51	0.87
3	3.06	2.58	1.96	1.32
4	3.50	3.03	2.41	1.76

00.00 Inches
00.00 [Millimeters]

OTDC100...200US02

Picture may not match the exact catalogue number. Dimensions are correct.

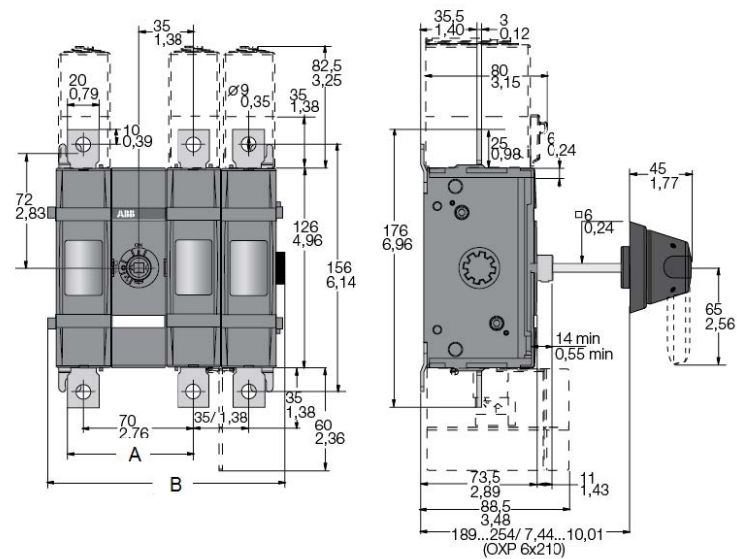


OTDC100, 200U02

[mm/in]	02
A	80/3,15
B	115,5/4,55

OTDC100...200US11/22

Picture may not match the exact catalogue number. Dimensions are correct.



OTDC100, 200U11...22

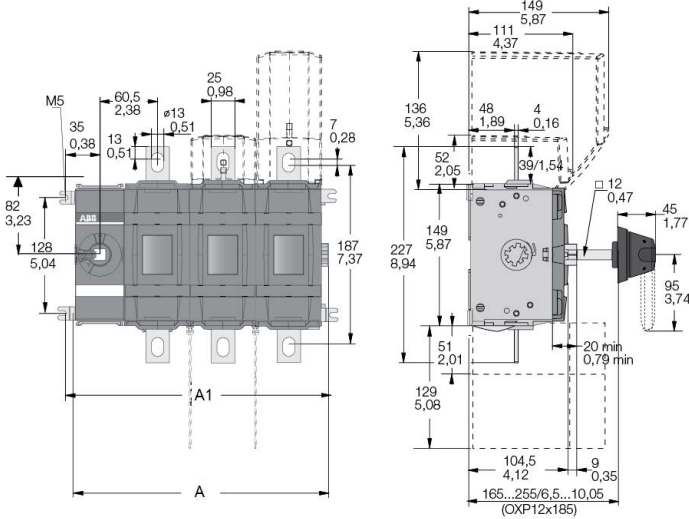
[mm/in]	11	22
A	80/3,15	115/4,53
B	115,5/4,55	185,5/7,31

Approximate dimensions OTDC

00.00 [Millimeters]
00.00 Inches

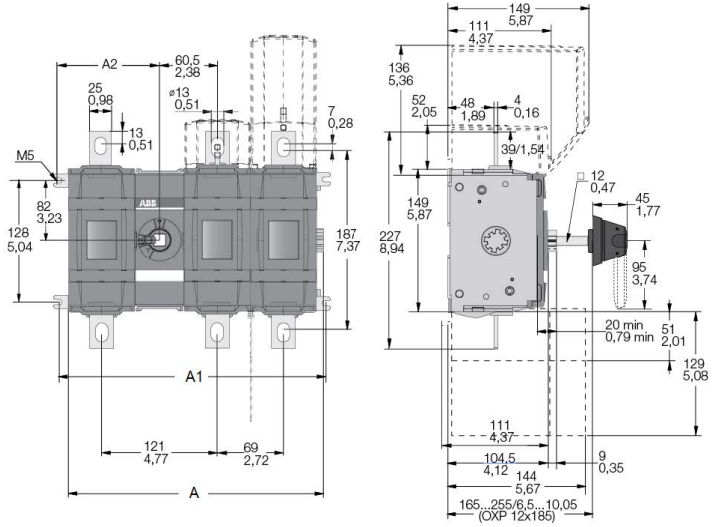
OTDC250/320/400US_

Picture may not match the exact catalogue number. Dimensios are correct.



OTDC250/320/400/600US_

Picture may not match the exact catalogue number. Dimensios are correct.



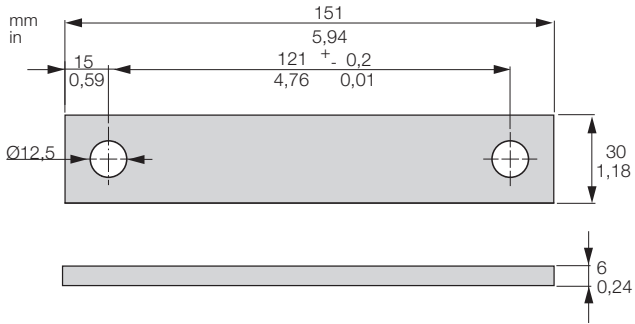
OTDC250, 320, 400U_

[mm/in]	02
A	199/7,84
A1	208/8,19

OTDC250, 320, 400, 600U_

[mm/in]	11	12	22
A	197/7,76	266/10,48	335/13,2
A1	208/8,19	277/10,91	346/63

OTDCKIT400B101

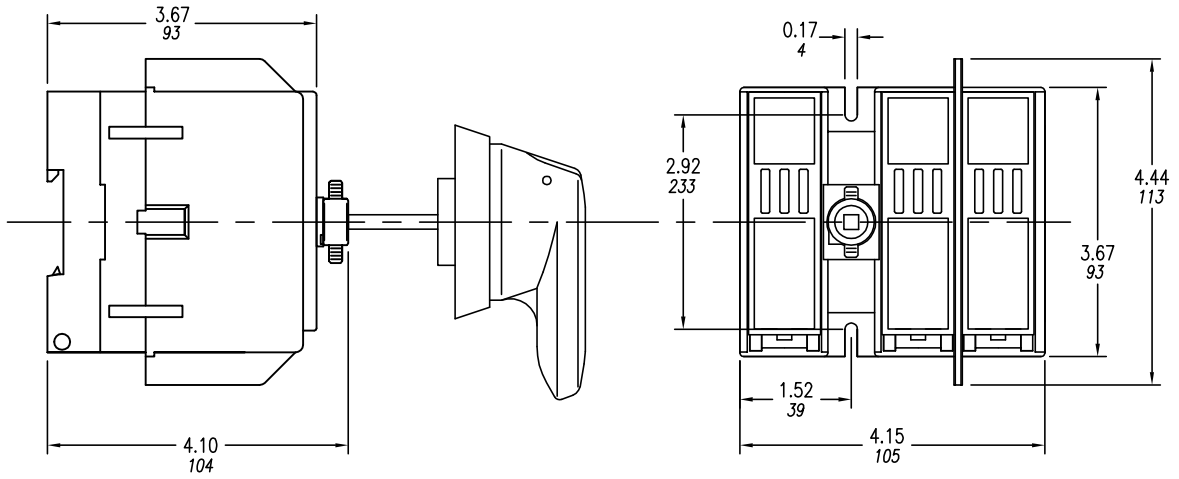


Approximate dimensions OS30FA_12 – OS60GJ12

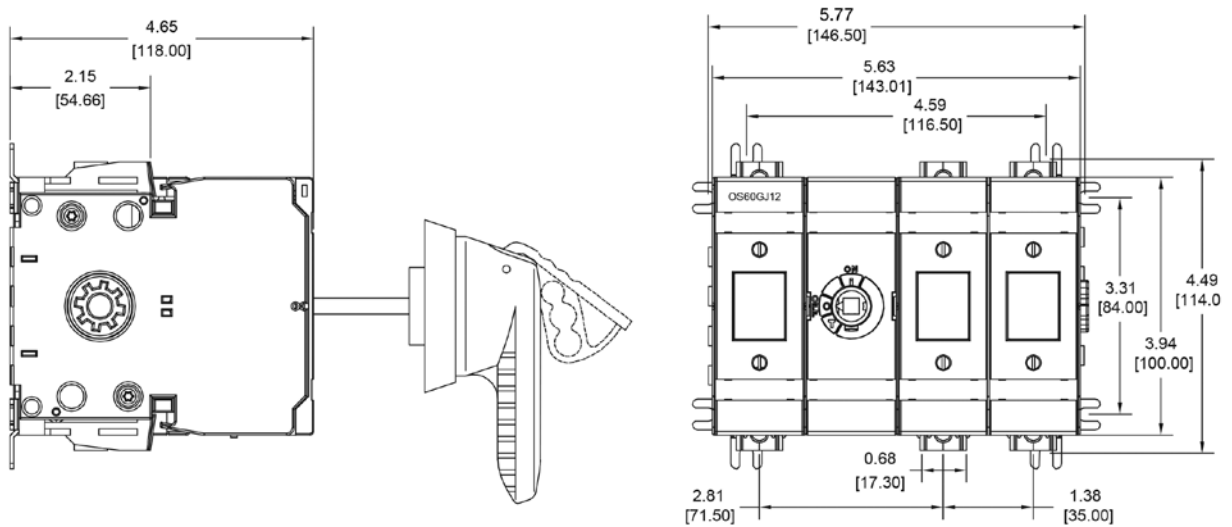
Disconnect
switches
Dimensions

← 00.00 [Inches]
00.00 → Inches

OS30FA_12

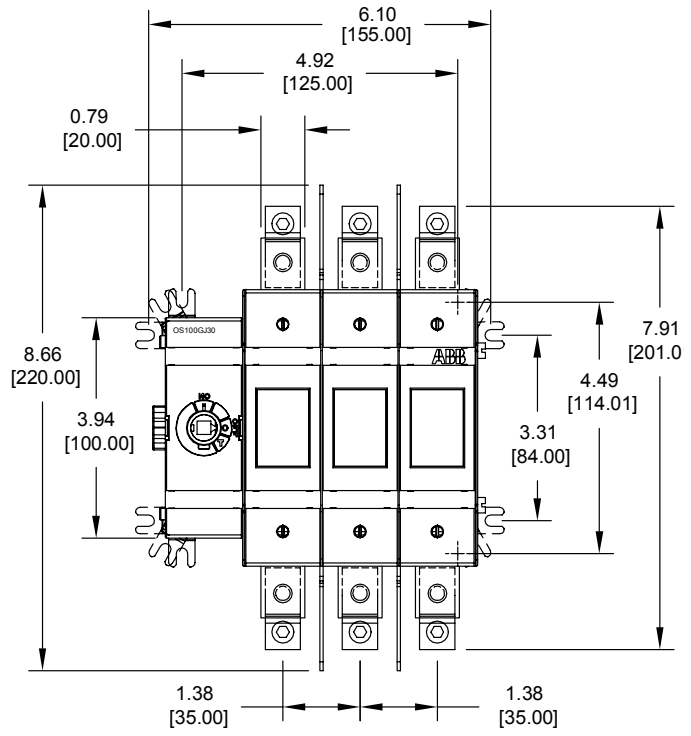
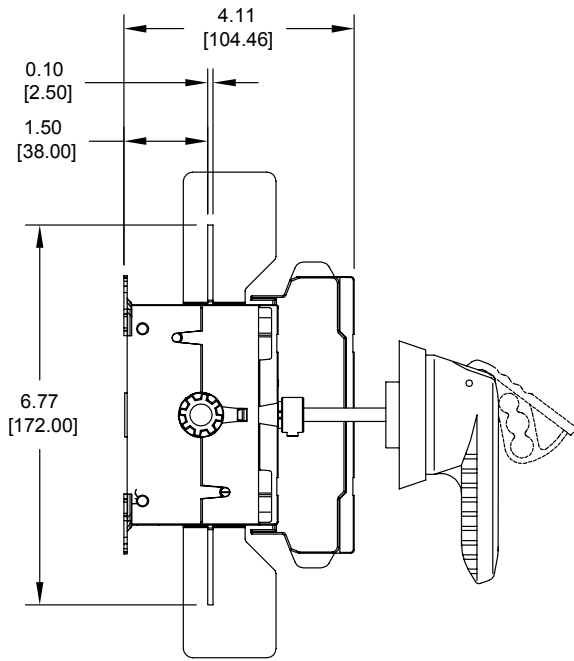


OS60GJ12

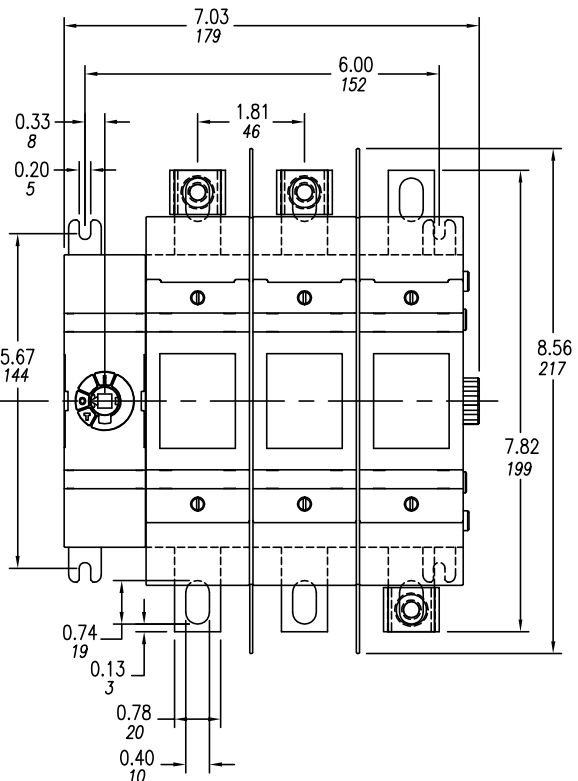
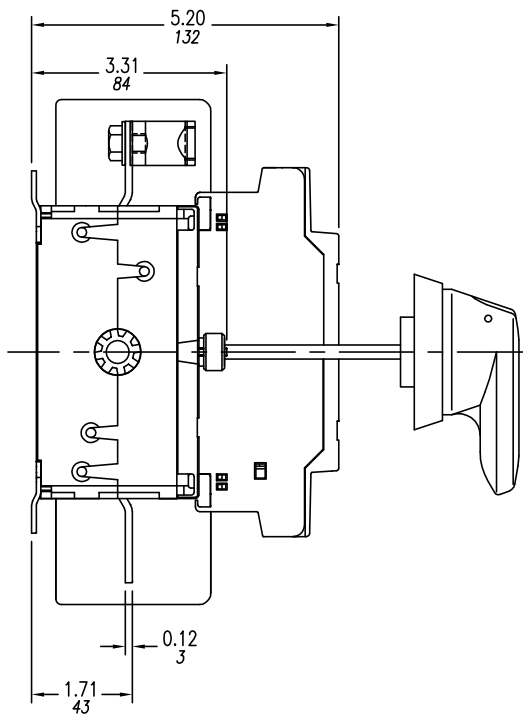


Approximate dimensions OS100GJ03 – OS200J03

OS100GJ03



OS200J03

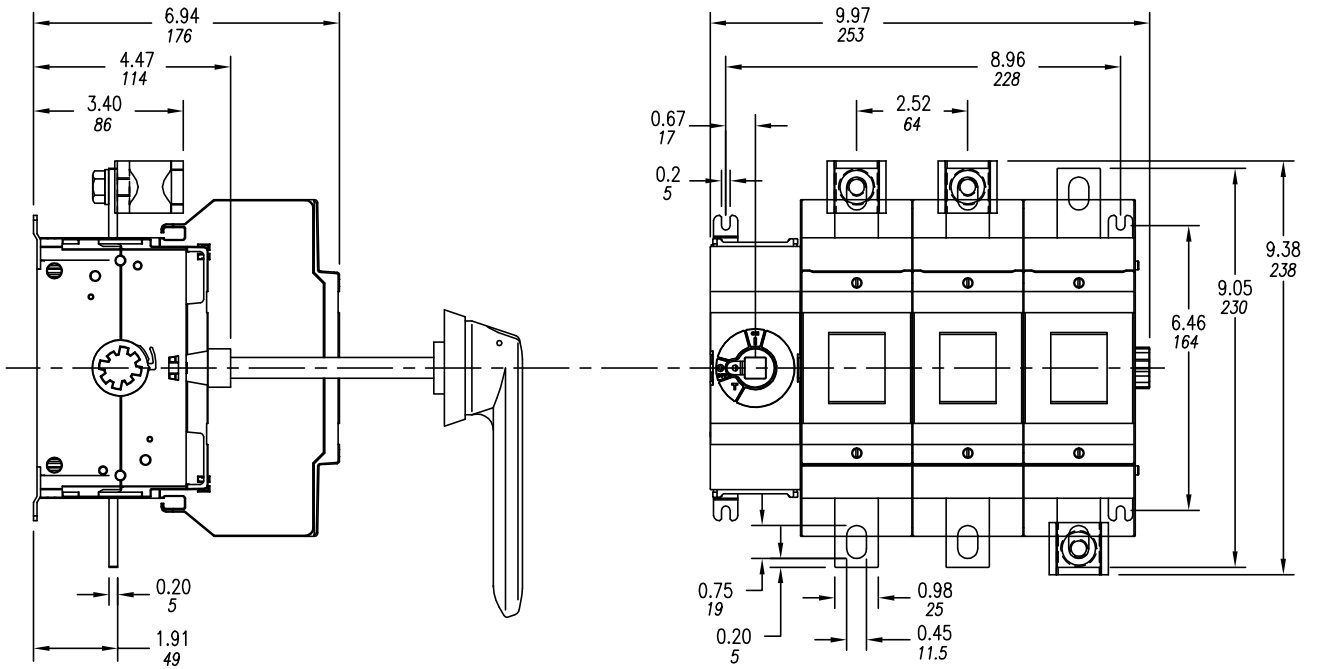


Approximate dimensions OS400J03 – OS600J03

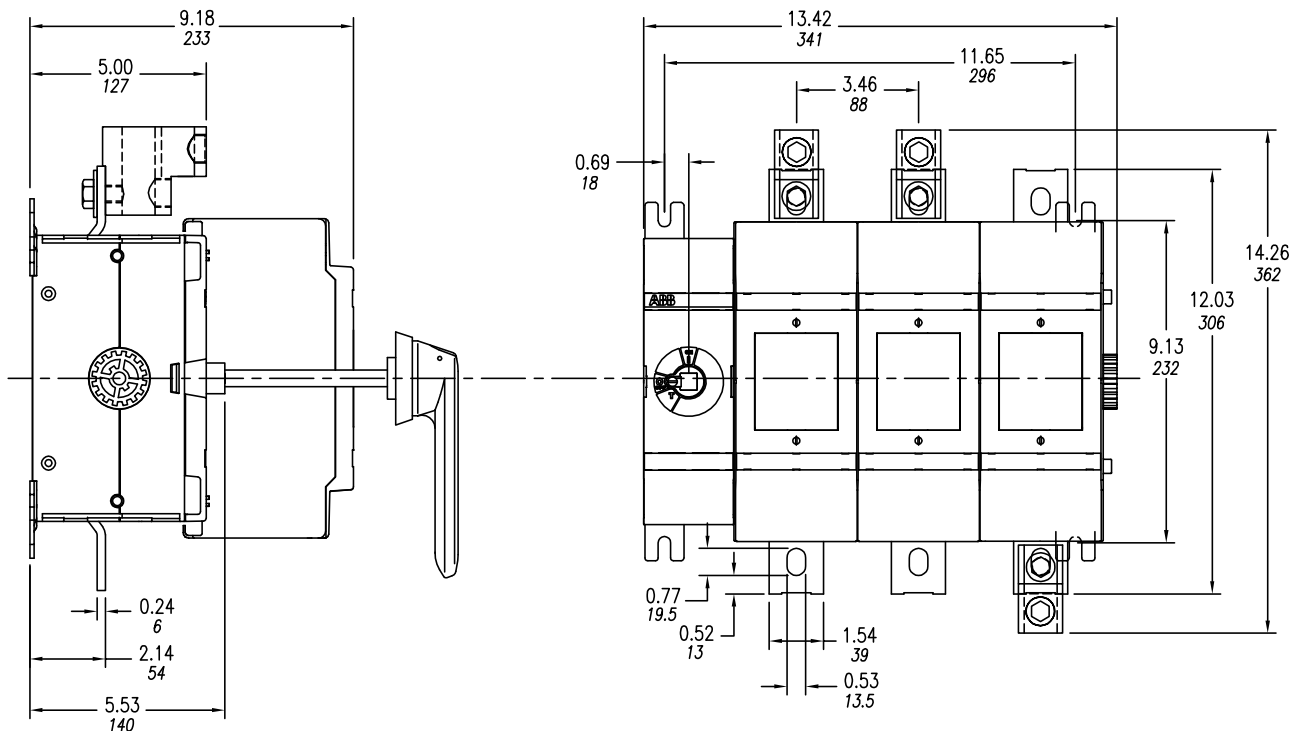
Disconnect
switches
Dimensions

00.00 [Inches]
00.00

OS400J03

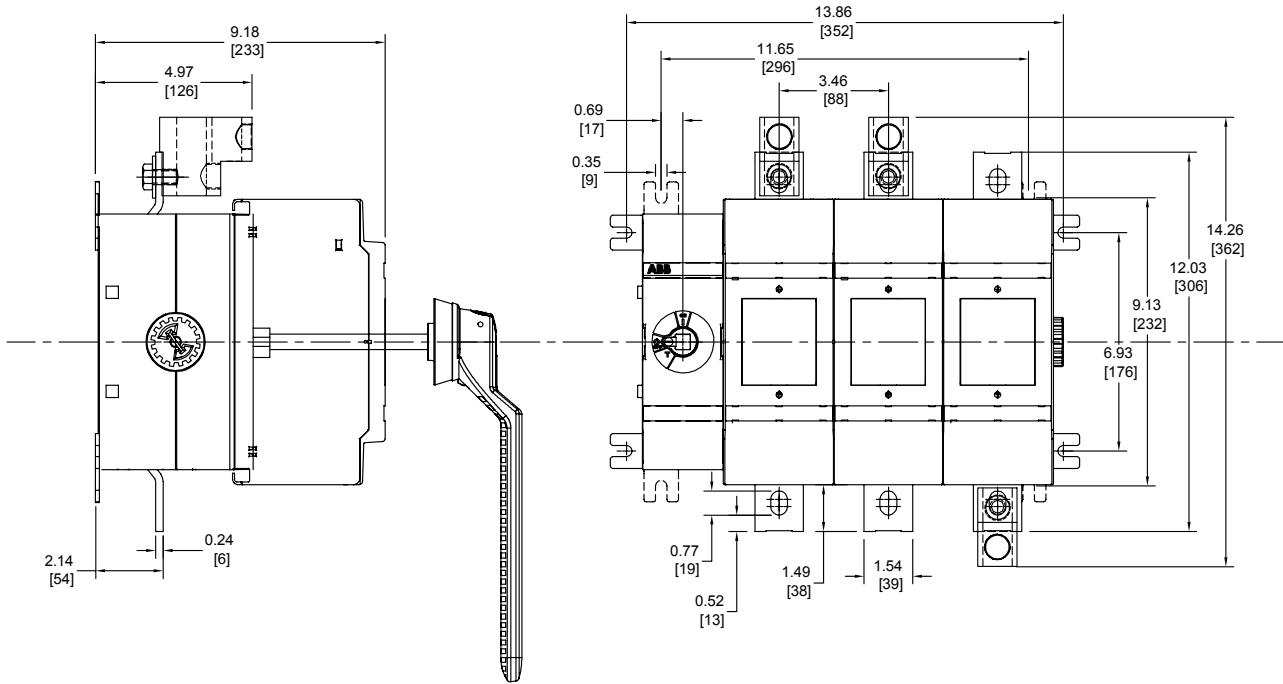


OS600J03

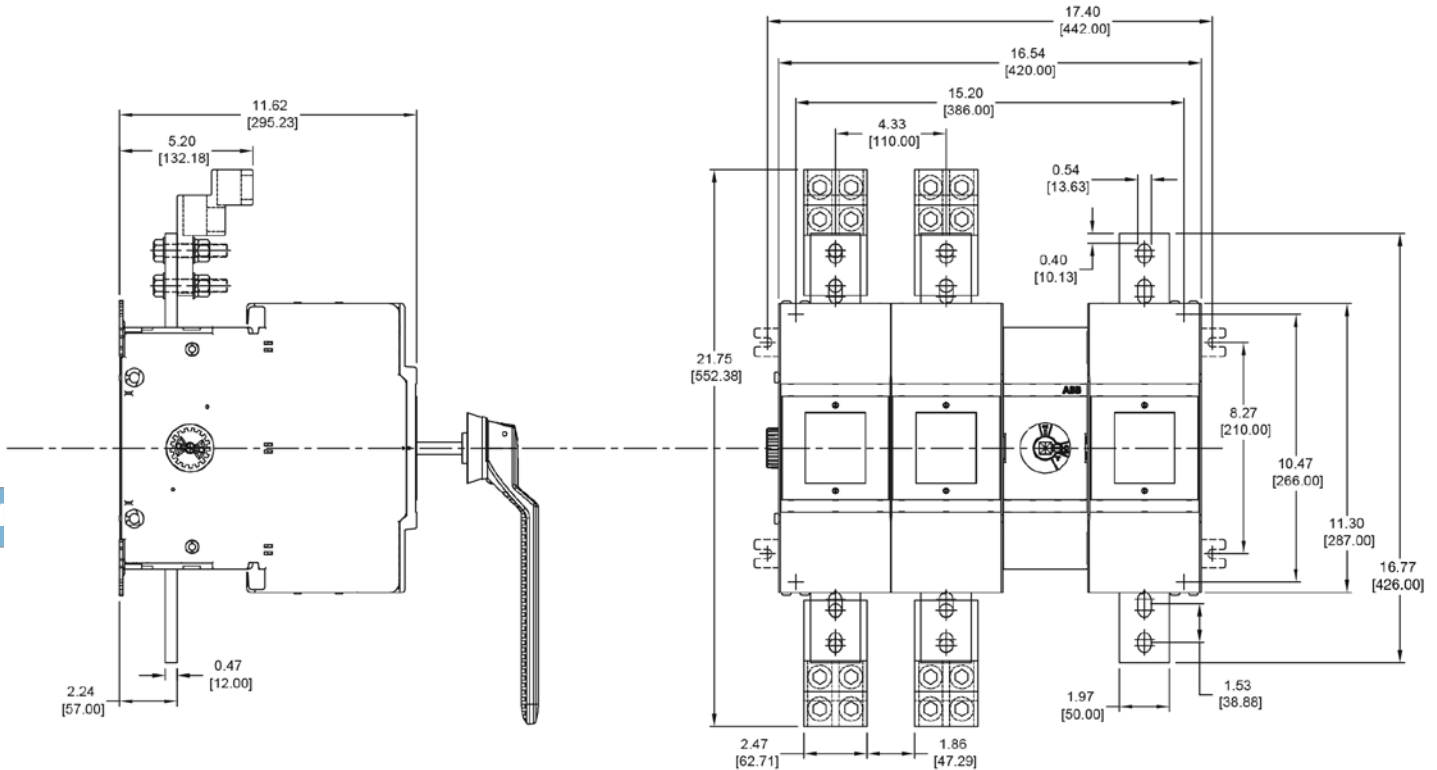


Approximate dimensions OS800L03 – OS1200L03

OS800L03



OS1200L03

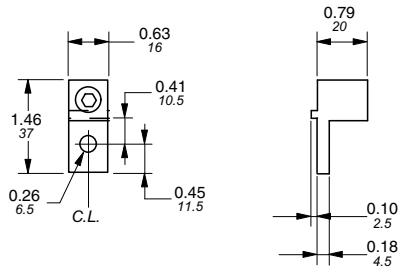


Approximate dimensions for Terminal lugs

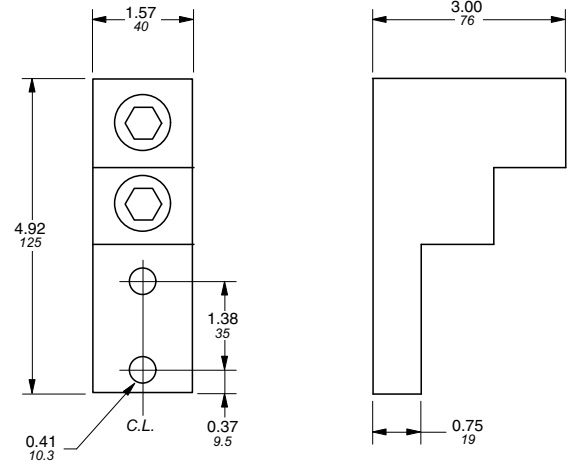
Disconnect
switches
Dimensions

← 00.00 [Inches] 00.00 →

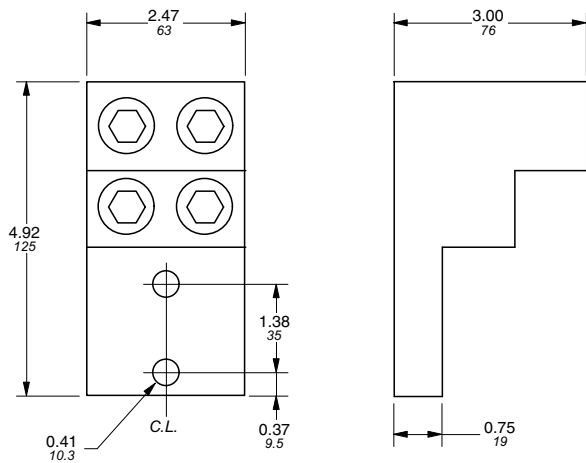
OZXA-24



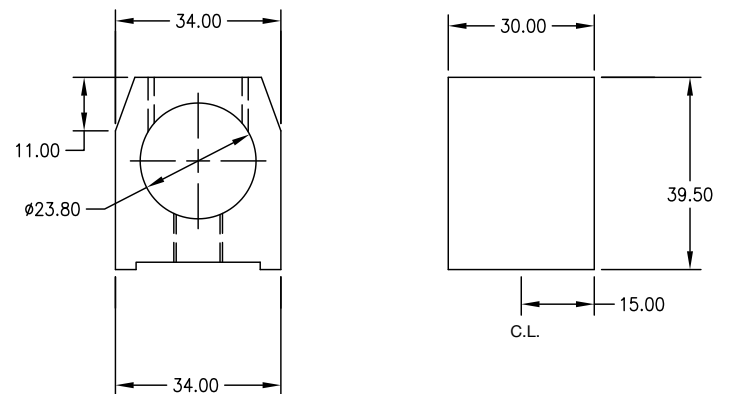
OZXA-30



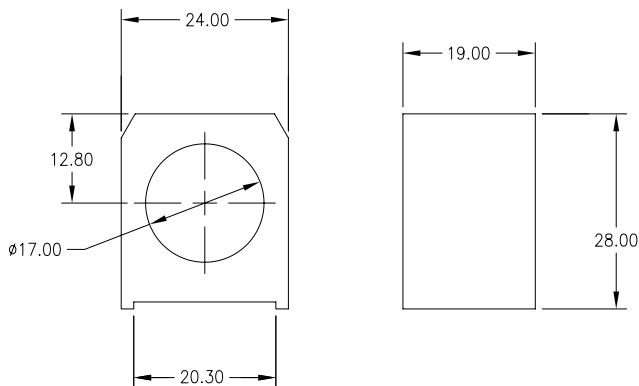
OZXA-28



OZXA-400

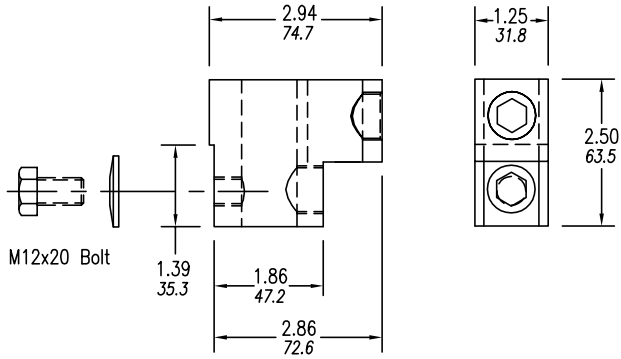


OZXA-200

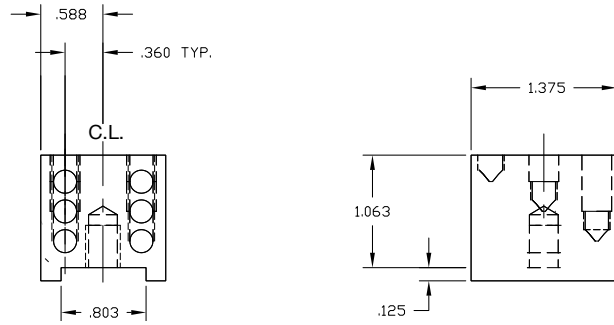


Approximate dimensions for Terminal lugs

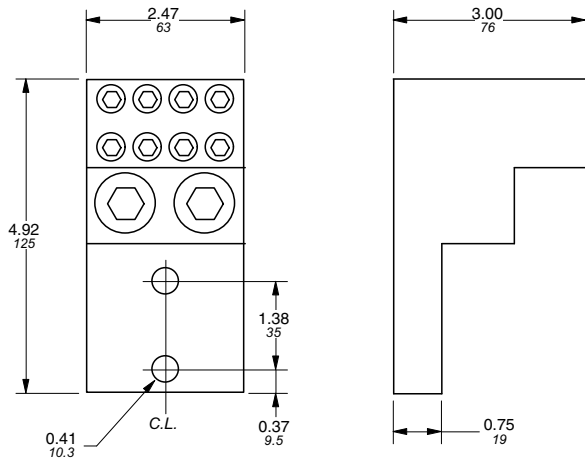
OZXA-800



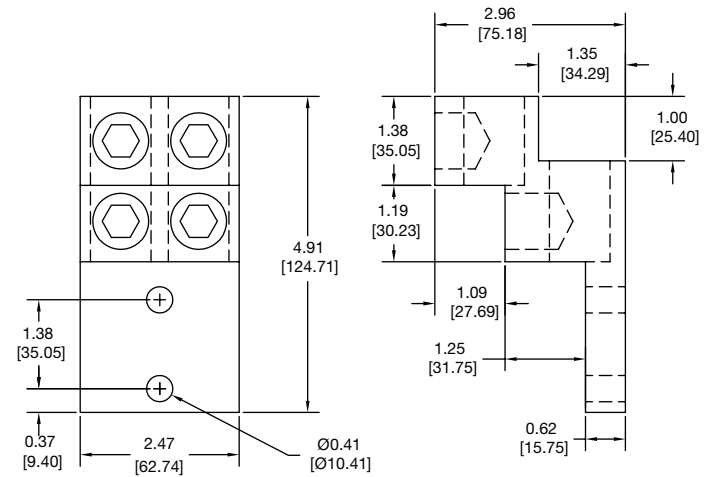
OZXA-406



OZXA-32



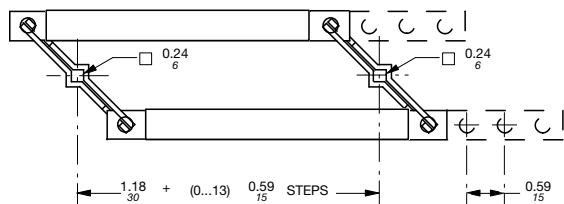
OZXA-1200



Approximate dimensions for 16A – 100A conversion mechanisms

← 00.00 [Inches] 00.00 →

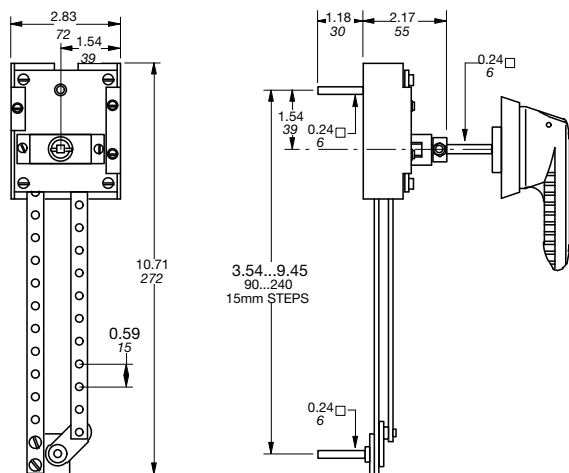
6 or 8 pole – OTZW8



For installation of 6 or 8 pole, transfer and bypass mechanisms, the following minimum and maximum mounting dimensions are given below.

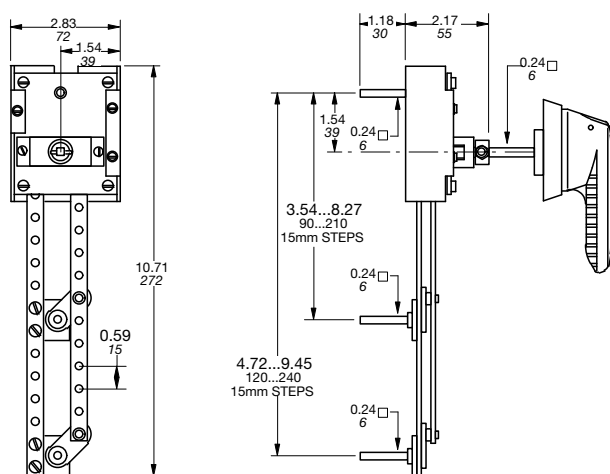
OTZW8 in combination with:	Minimum inches/mm	Maximum inches/mm
OT16F3, OT25F3, OT40F3	3.07/78	N/A
OT63F3, OT80F3	3.74/95	N/A
OT30F3, OT60F3, OT100F3	3.82/97	N/A

Double throw switch – OTZW6, OTZW6X



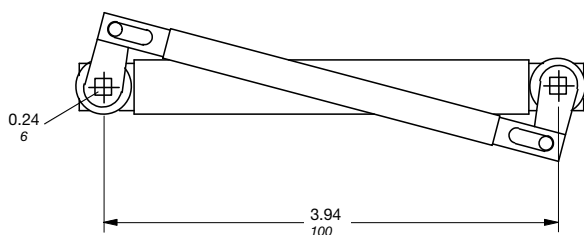
OESA-ZW1, OESA-ZW1X in combination with:	Minimum inches/mm	Maximum ^① inches/mm
OT16F3, OT25F3, OT40F3	4.61/117	6.57/167
OT63F3, OT80F3	5.31/135	7.28/185
OT30F3, OT60F3, OT100F3	4.84/123	6.81/173

Bypass switch – OTZW17, OTZW17X



OTZW17, OTZW17X in combination with:	Minimum inches/mm	Maximum ^① inches/mm
OT16F3, OT25F3, OT40F3	4.61/117	6.57/167
OT63F3, OT80F3	5.31/135	7.28/185
OT30F3, OT60F3, OT100F3	4.84/123	6.81/173

Mechanical interlock – OETL-ZW24

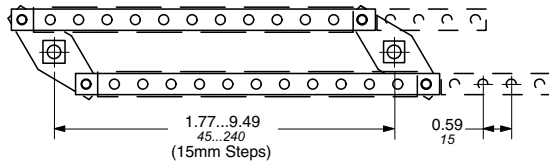
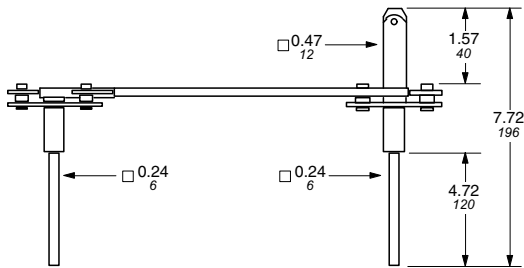


OETL-ZW24 in combination with:	Minimum inches/mm	Maximum ^① inches/mm
OT16F3, OT25F3, OT40F3	3.39 / 86	—
OT63F3, OT80F3	4.09 / 104	—
OT30F3, OT60F3, OT100F3	4.13 / 105	—

① Deeper enclosures will require a longer shaft. Please select a 6mm shaft from page 19.5.

Approximate dimensions for 125 – 200A conversion mechanisms

6 or 8 pole – OESA-ZW2

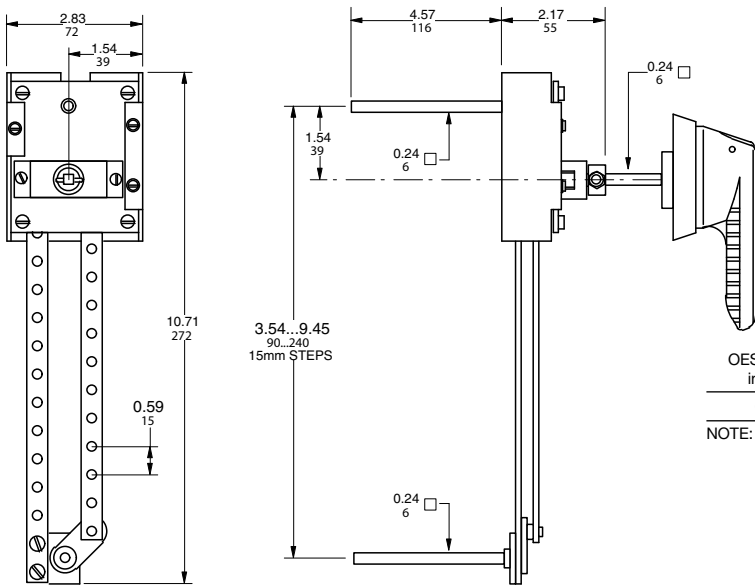


For installation of 6 or 8 pole, transfer and bypass mechanisms, the following minimum and maximum mounting dimensions are given below.

OESA-ZW2 in combination with:	Minimum inches/mm	Maximum inches/mm
OT160 - OT200	5.35/136	9.49/241

NOTE: Deeper enclosures will require a longer shaft. Please select a 12mm shaft from page 19.7 and an OETL-ZX95 shaft extension coupler from page 19.10.

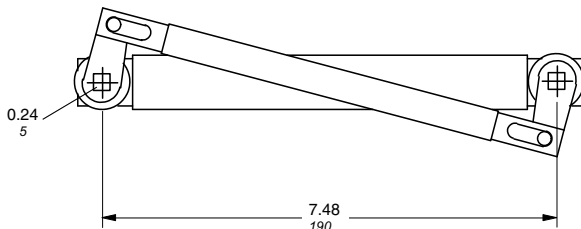
Double throw switch – OESA-ZW1, OESA-ZW1X



OESA-ZW1, OESA-ZW1X in combination with:	Minimum inches/mm	Maximum inches/mm
OT160 - OT200	4.61/117	6.57/167

NOTE: Deeper enclosures will require a longer shaft. Please select a 6mm shaft from page 19.7

Mechanical interlock – OTZW10



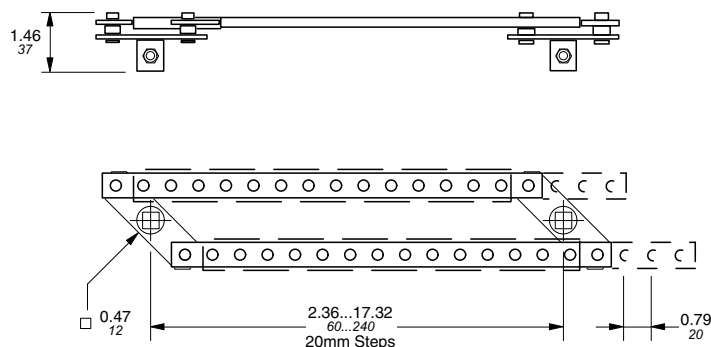
OTZW10 in combination with:	Minimum inches/mm	Maximum inches/mm
OT160 - OT200	4.13 / 105	—

NOTE: Deeper enclosures will require a longer shaft. Please select a 6mm shaft from page 19.7

Approximate dimensions for 400A – 1200A conversion mechanisms

← 00.00 [Inches] 00.00 →

6 or 8 pole – OETL-ZW9

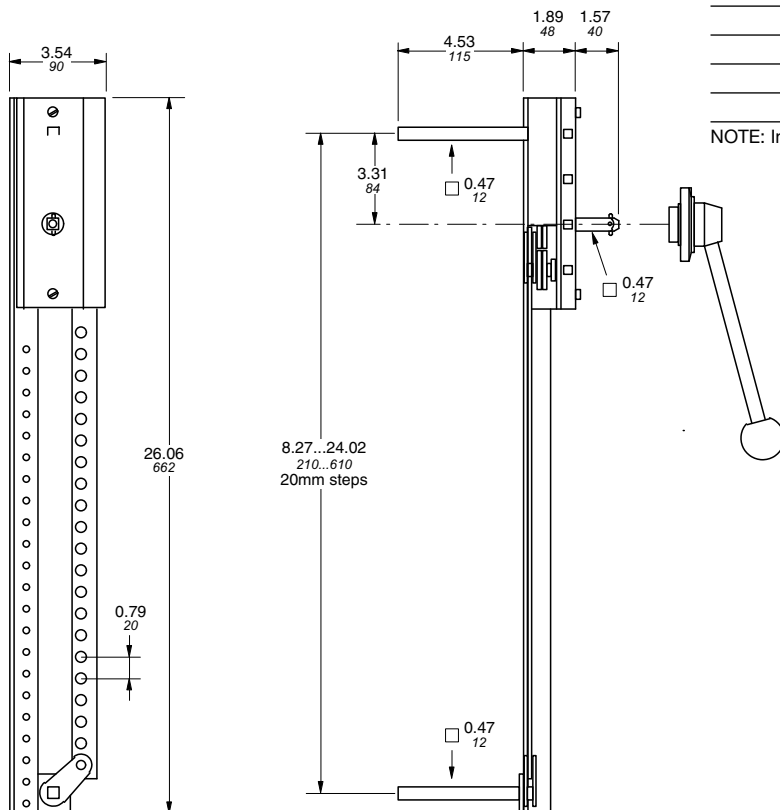


For installation of 6 or 8 pole, transfer and bypass mechanisms, the following minimum and maximum mounting dimensions are given below.

OETL-ZW9 in combination with:	Minimum inches/mm	Maximum inches/mm
OT400	7.52/191	N/A
OT600	7.52/191	N/A
OETL-NF800A	7.52/191	N/A
OETL-NF1200	7.52/191	N/A

NOTE: Handle not included

Double throw – OETL-ZW12



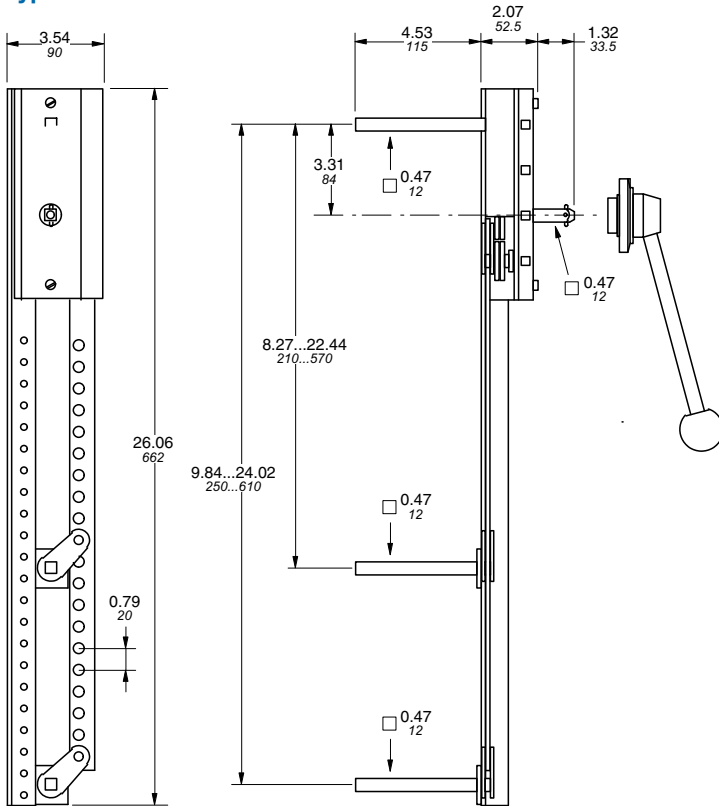
OETL-ZW12 in combination with:	Minimum inches/mm	Maximum [Ⓞ] inches/mm
OT400	8.19/208	11.73/298
OT600	8.19/208	11.73/298
OETL-NF800A	8.19/208	11.73/298
OETL-NF1200	8.19/208	11.73/298

NOTE: Includes YASDA-21 handle

Ⓞ Deeper enclosures will require a longer shaft. Please select a 12mm shaft from page 19.7 and an OETL-ZX95 shaft extension coupler from pg. 18.10.

Approximate dimensions for 400A – 3150A conversion mechanisms

Bypass switch – OETL-ZW13

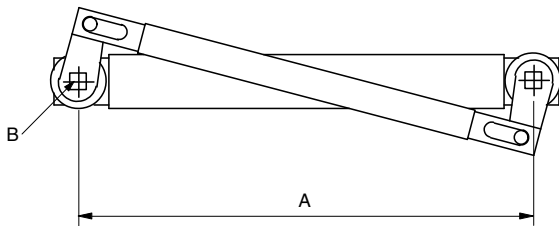


For installation of 6 or 8 pole, transfer and bypass mechanisms, the following minimum and maximum mounting dimensions are given below.

OETL-ZW12 in combination with:	Minimum inches/mm	Maximum ^① inches/mm
OT400	8.19/208	11.73/298
OT600	8.19/208	11.73/298
OETL-NF800A	8.19/208	11.73/298
OETL-NF1200	8.19/208	11.73/298

NOTE: Includes YASDA-21 handle

Mechanical interlock – OETL-ZW3, OETL-ZW14, OETL-ZW15



Dimensions in Inches
& mm

	A	B
OETL-ZW3	11.81 300.0	0.47 12.0
OETL-ZW14	9.84 250.0	0.47 12.0
OETL-ZW15	19.69 500.0	0.47 12.0

OETL-ZW3, 14 & 15 in combination with:	Minimum inches/mm	Maximum ^① inches/mm
OT400 & OT600	6.50/165	—
OETL-NF800 – OETL-NF1200	6.30/160	—
OETL-NF1600 – OETL-NF3150	12.00/305	—

NOTE: Handle(s) not included.

NOTE: OETL-ZW15 is the only mechanical interlock
OETL-NF1200 – OETL-NF3150 can use.

① Deeper enclosures will require a longer shaft. Please select a 12mm shaft from page 19.7 and an OETL-ZX95 shaft extension coupler from page 19.10.

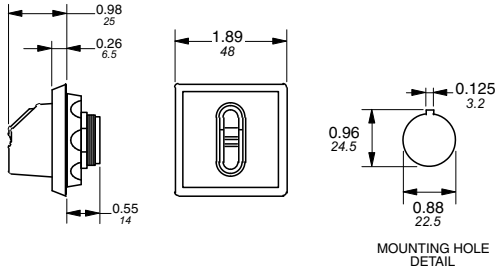
Approximate dimensions for Handles

Disconnect
switches
Dimensions

00.00
00.00 [Inches]

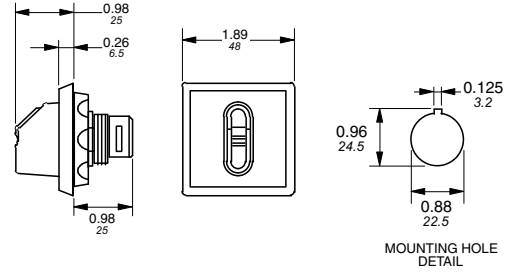
Selector handles for base and DIN rail mounted switches

OH_S1AH1 & OH_S3AH1

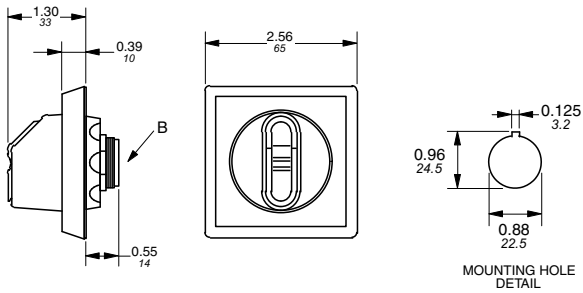


Selector handles for door mounted switches

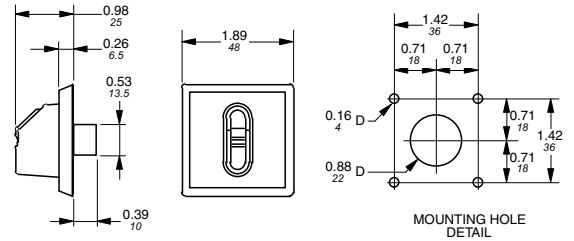
OH_S1P_ & OH_S3P_



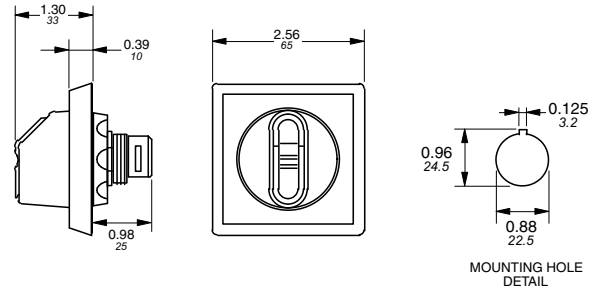
OH_S2A_



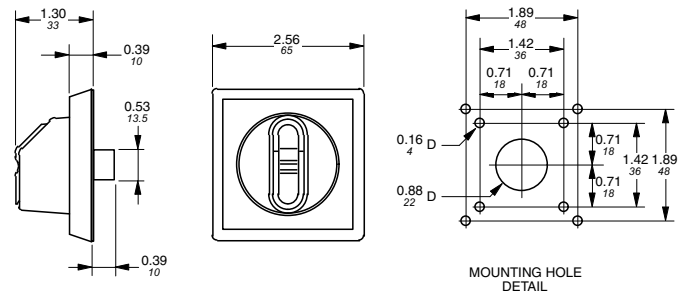
OH_S1R_ & OH_S3R_



OH_S2P_

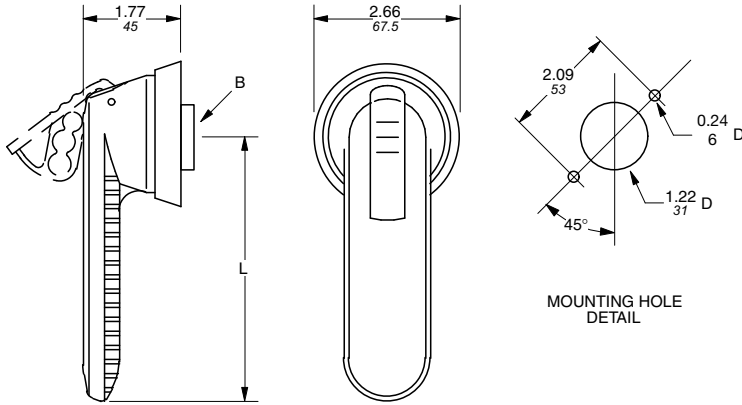


OH_S2R_



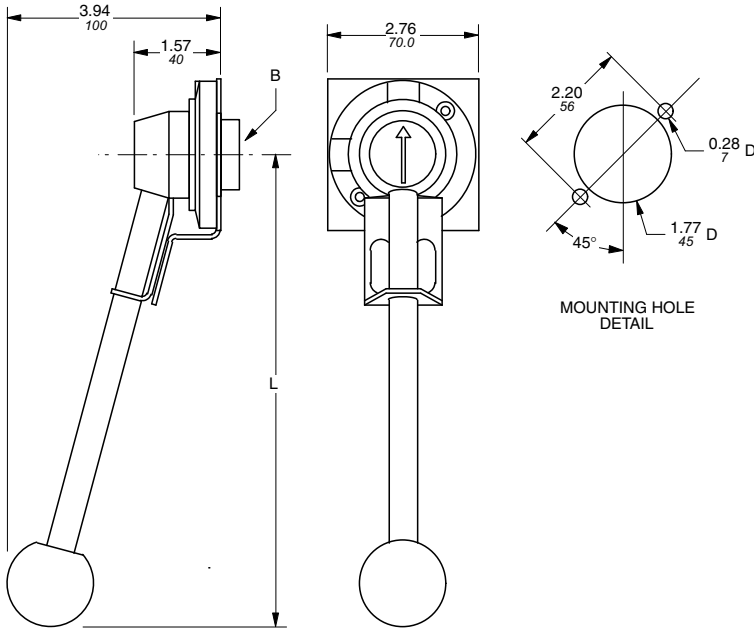
Approximate dimensions for Handles

Pistol handles

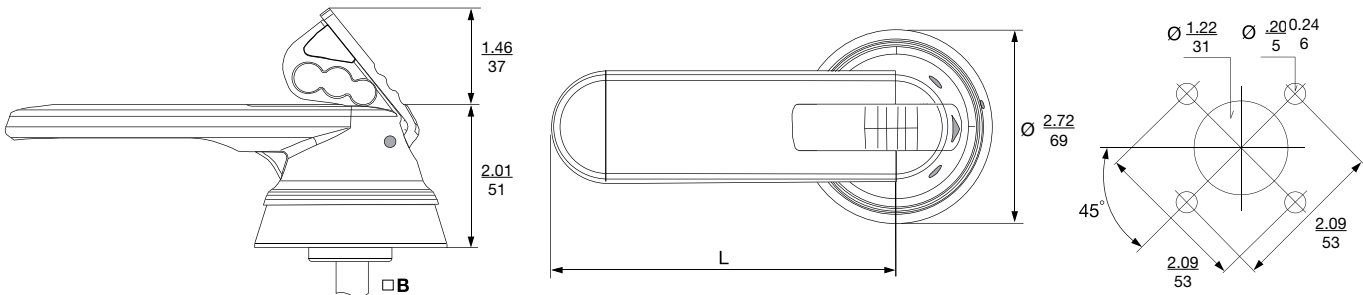


A Catalog number	L Inches/ mm	□ B Shaft size Inches/ mm	NEMA / UL Type
OH_45J6	1.8/45	0.24/6	1, 3R, 12
OH_65J6	2.6/65	0.24/6	1, 3R, 12
OH_80J6	3.1/80	0.24/6	1, 3R, 12
OH_125J12	4.9/125	0.47/12	1, 3R, 12
OH_145J12	5.7/145	0.47/12	1, 3R, 12
OH_175J12	6.9/175	0.47/12	1, 3R, 12
OH_80L6	3.1/80	0.24/6	1, 3R, 4, 4X, 12
OH_145L12	5.7/145	0.47/12	1, 3R, 4, 4X, 12
OH_175L12	6.9/175	0.47/12	1, 3R, 4, 4X, 12

— = Handle color, B (Black) or Y (Red/Yellow)



A catalog number	L inches/mm	□ B Shaft size inches/mm	NEMA Type
YASDA-7	8.66/220	0.47/12	1, 3R, 4, 4X, 12
YASDA-8	8.66/220	0.47/12	1, 3R, 4, 4X, 12
YASDA-21	8.66/220	0.47/12	1, 3R, 4, 4X, 12
YASDA-6	12.60/320	0.47/12	1, 3R, 4, 4X, 12

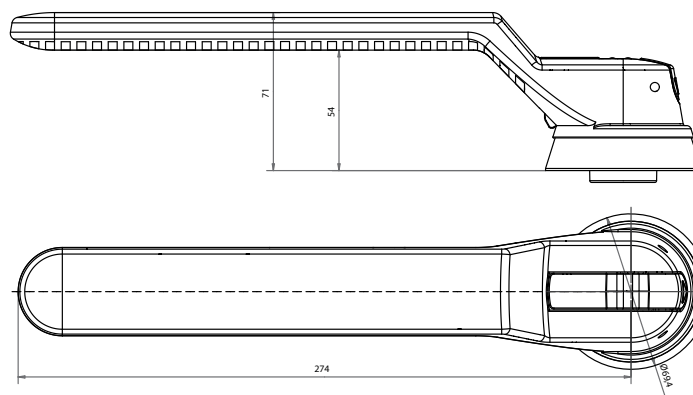


Handle type	OHM65L6	OHM125L12	OHM175L12	OHM275L12
L	2.6/65	4.9/125	6.9/175	10.8/225
□ B	.24/6	.47/12	.47/12	.47/12

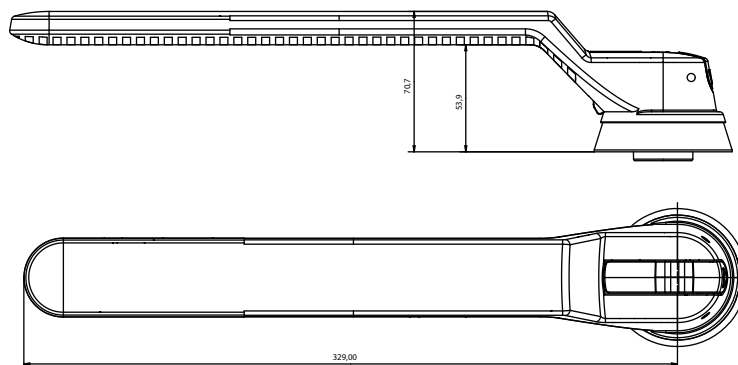
Approximate dimensions for Handles

← 00.00 [Inches] →
00.00

OH_274_12



OH_330_12



A Catalog number	L inches/mm	B shaft size inches/mm	NEMA Type
OHB274-330	10.75/274	0.47/12	1, 3R, 4, 4X, 12

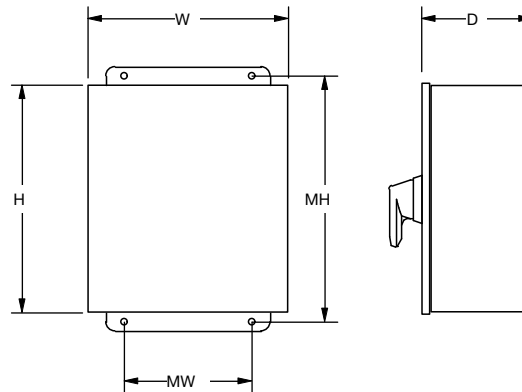
Approximate dimensions 2, 3 & 4 Pole ② 30A – 1200A Fusible

Fusible

Frame size	Enclosure type	H height	W width	D depth	MH mtg. height	MW mtg. width	Weight
OS30_	1	10.0	8.0	6.0	7.0	7.0	12
	3R	10.0	8.0	6.0	10.75	6.0	12
	4	10.0	8.0	6.0	10.75	6.0	12
	4X SS	10.0	8.0	6.0	10.75	6.0	12
	4X Plastic	10.0	8.0	8.0	10.75	6.0	8.0
	12	10.0	8.0	6.0	10.75	6.0	12
OS60_	1	14.0	12.0	8.0	7.0	7.0	13
	3R	14.0	12.0	8.0	10.75	6.0	13
	4	14.0	12.0	8.0	10.75	6.0	13
	4X SS	14.0	12.0	8.0	10.75	6.0	13
	4X Plastic	10.0	8.0	8.0	10.75	6.0	9.0
	12	14.0	12.0	8.0	10.75	6.0	13
OS100_	1	14.0	12.0	8.0	11.0	9.0	22
	3R	14.0	12.0	8.0	14.75	10.0	22
	4	14.0	12.0	8.0	14.75	10.0	22
	4X SS	14.0	12.0	8.0	14.75	10.0	22
	4X Plastic	14.0	12.0	8.0	14.75	10.0	16
	12	14.0	12.0	8.0	14.75	10.0	22
OS200_	1	24.0	16.0	8.0	25.5	14.5	75
	3R	24.0	16.0	8.0	25.5	14.5	75
	4	24.0	16.0	8.0	25.5	14.5	75
	4X SS	24.0	16.0	8.0	25.5	14.5	75
	4X Plastic	①	①	①	①	①	①
	12	24.0	16.0	8.0	25.5	14.5	75

Frame size	Enclosure type	H height	W width	D depth	mtg. height	MW mtg. width	Weight
OS400_	1	44.0	22.0	11.0	37.5	22.5	150
	3R	44.0	22.0	11.0	37.5	22.5	150
	4	44.0	22.0	11.0	37.5	22.5	150
	4X SS	44.0	22.0	11.0	37.5	22.5	150
	4X Plastic	①	①	①	①	①	①
	12	44.0	22.0	11.0	37.5	22.5	150
OS600_	1	42.0	36.0	12.0	43.5	34.5	150
	3R	42.0	36.0	12.0	43.5	34.5	150
	4	42.0	36.0	12.0	43.5	34.5	150
	4X SS	42.0	36.0	12.0	43.5	34.5	150
	4X Plastic	①	①	①	①	①	①
	12	42.0	36.0	12.0	43.5	34.5	150
OS800_	1	48.0	24.0	12.0	49.5	22.5	170
	3R	48.0	24.0	12.0	49.5	22.5	170
	4	48.0	24.0	12.0	49.5	22.5	170
	4X SS	48.0	24.0	12.0	49.5	22.5	170
	4X Plastic	①	①	①	①	①	①
	12	48.0	24.0	12.0	49.5	22.5	170
OS1200_	1	60.0	36.0	12.8	62	38	200
	3R	60.0	36.0	12.8	62	38	200
	4	60.0	36.0	12.8	62	38	200
	4X SS	60.0	36.0	12.8	62	38	200
	4X Plastic	①	①	①	①	①	①
	12	60.0	36.0	12.8	62	38	200

① Please consult factory, enclosures are sized to suit specific customer needs.
② Some 4-pole switches require larger enclosures. Please consult factory.



Approximate dimensions 2, 3 & 4 Pole ③ 16A – 3150A, Non-fusible

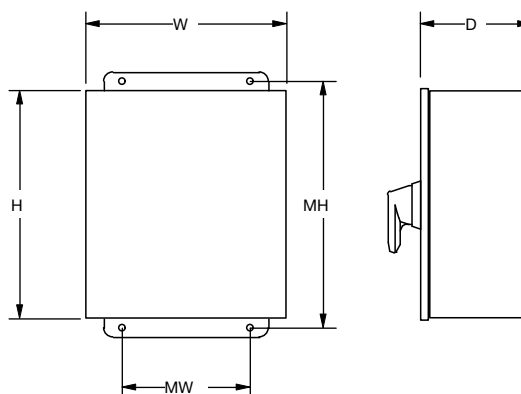
← 00.00 [Inches] 00.00 →

Non-Fusible

Frame size	Enclosure type	H height	W width	D depth	MH mtg. height	MW mtg. width	Weight
OT16_ OT25_ OT40_	1	6.0	6.0	4.0	4.0	4.0	4.0
	3R	6.0	6.0	4.0	7.75	3.0	4.0
	4	6.0	6.0	4.0	6.75	4.0	4.0
	4X SS	6.0	6.0	4.0	7.75	3.0	4.0
	4X Plastic	6.0	6.0	5.9	6.75	4.0	4.0
12	6.0	6.0	4.0	7.75	3.0	4.0	
OT63_ OT80_	1	8.0	6.0	4.0	7.0	5.0	6.0
	3R	8.0	6.0	4.0	8.75	4.0	6.0
	4	8.0	6.0	4.0	8.75	4.0	6.0
	4X SS	8.0	6.0	4.0	8.75	4.0	6.0
	4X Plastic	8.0	6.0	5.9	8.75	4.0	6.0
12	8.0	6.0	4.0	8.75	4.0	6.0	
OT30 OT60 OT100	1	10.0	8.0	5.0	7.0	7.0	9.0
	3R	10.0	8.0	5.0	10.75	6.0	9.0
	4	10.0	8.0	5.0	10.75	6.0	9.0
	4X SS	10.0	8.0	5.0	10.75	6.0	9.0
	4X Plastic	10.0	8.0	5.9	10.75	6.0	9.0
12	10.0	8.0	5.0	10.75	6.0	9.0	

Frame size	Enclosure type	H height	W width	D depth	MH mtg. height	MW mtg. width	Weight
OT200	1	24.0	16.0	8.0	25.5	14.5	50
	3R	24.0	16.0	8.0	25.5	14.5	50
	4	24.0	16.0	8.0	25.5	14.5	50
	4X SS	24.0	16.0	8.0	25.5	14.5	50
	4X Plastic	25.0	17.0	10.0	25.5	14.5	40
12	24.0	16.0	8.0	25.5	14.5	50	
OT400	1	44.0	22.0	11.0	37.5	22.5	120
	3R	44.0	22.0	11.0	37.5	22.5	120
	4	①	①	①	①	①	①
	4X SS	36.0	24.0	12.0	37.5	22.5	130
	4X Plastic	①	①	①	①	①	①
12	36.0	24.0	8.0	37.5	22.5	120	
OT600	1	44.0	22.0	11.0	37.5	22.5	120
	3R	36.0	24.0	12.0	37.5	22.5	120
	4	36.0	24.0	12.0	37.5	22.5	120
	4X SS	36.0	24.0	12.0	37.5	22.5	120
	4X Plastic	40.0	32.0	13.0	41.2	30.2	120
12	36.0	24.0	12.0	37.5	22.5	120	
OT800 - OT1200	1	60.0	36.0	12.0	61.5	34.5	200
	3R	60.0	36.0	12.0	61.5	34.5	200
	4	60.0	36.0	12.0	61.5	34.5	200
	4X SS	60.0	36.0	12.0	61.5	34.5	200
	4X Plastic	①	①	①	①	①	①
12	60.0	36.0	12.0	61.5	34.5	200	
OETL-NF1600 OETL-NF2000 OETL-NF3150	1	90.0	36.0	24.0	②	②	600
	3R	90.0	36.0	24.0	②	②	600
	4	①	①	①	①	①	①
	4X SS	①	①	①	①	①	①
	4X Plastic	①	①	①	①	①	①
12	90.0	36.0	24.0	②	②	600	

- ① Please consult factory, enclosures are sized to suit specific customer needs.
- ② Enclosure is free standing.
- ③ Some 4-pole switches require larger enclosures. Please consult factory.

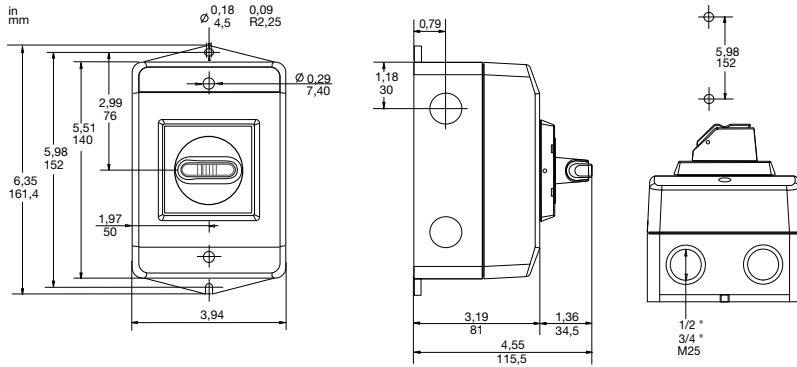


600V, 16A - 3150A
2, 3 and 4-pole switches
Enclosure dimensions

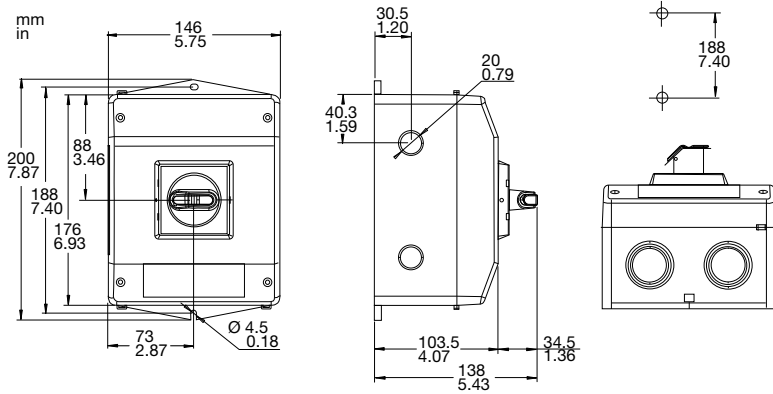
eOT Enclosed switches

Approximate dimensions
eOT16_ - eOT45U

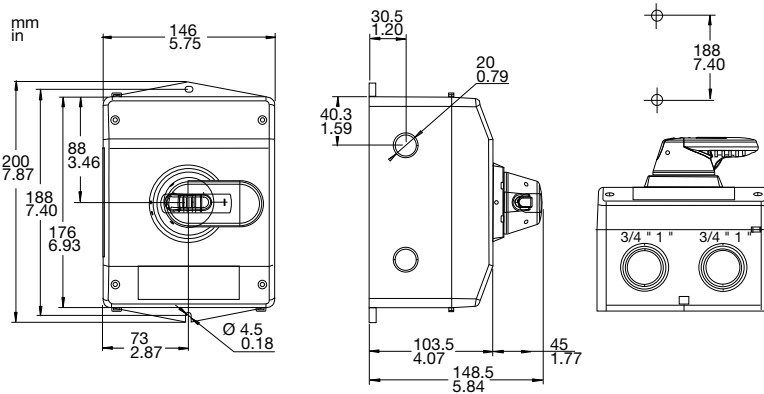
eOT16_, eOT32_ (enclosure size 1)



eOT45U_ (enclosure size 2 with selector handle)



eOT45U_ (enclosure size 2 with pistol grip handle)



eOT Enclosed manual motor controllers

Approximate dimensions

eOT63_

Disconnect
switches
Dimensions

← 00.00 [Inches] 00.00 →

eOT63_ (enclosure size 3 with pistol grip handle)

