

Low Voltage Products

CamLine rotary cam switches, enclosed cam switches - OM, ON and OL



CamLine





CamLine Rotary cam switches

OM, ON and OL



Contents:

Rotary cam switches

Standard cam switches range	6 - 7
Accessories for standard cam switches	8 - 9
Special cam switches	10 - 11
Solutions	12 - 15
Technical data	16 - 17

Ordering details

ON-OFF switches	18 - 19
Change-over switches	20 - 22
Bypass switches	23
Multistep switches	24 - 27
Motor control switches	28 - 29
Ventilation switches	28
Reversing switches	28
Star-delta switches	28
Pole-change switches	28
Pumpstart switches	29
Stop switches	29
Start switches	29
Voltmeter switches	30
Ammeter switches	31
Volt-ammeter switches	31
Binary code switches	32

Accessories	33 - 36
-------------------	---------

Dimension drawings.....37 - 54

OM, ON, door mounted	37
ON_M, ON, base mounted	38
OL40	38 - 40
Door mounted	38 - 39
Base mounted	40
OL80, OL125, OL160	41 - 42
Door mounted	41
Base mounted	42
OL200	43
Door mounted	43
Base mounted	43
Front plates	44
Handles	45 - 51
For OM	45
For ON and OL40	45 - 47
Padlockable handles	46 - 49
Key interlocked handles	50
Push button interlocked handle	51
Pistol and double lever handles	51
Door clutch	52
Double gang drive	53
Triple gang drive	54

Enclosed rotary cam and main switches

Ordering details	58 - 59
Dimension drawings	60

ROTARY CAM SWITCHES

Range OM, ON, OL

Sizes 10, 25, 40, 80, 125, 160 and 200 Amps

ABB's new OM, ON and OL rotary cam switches offer a complete range of cam switches for control, instrumentation and motor starting applications, maximizing the benefits and optimizing your use of assets. The standard cam switches provide you with a variety of functionalities for the most common mounting types and applications with minimum footprint area.

A focused standard range covering most applications

ON-OFF switches
Change-over switches
Multi-step switches

Volt-ammeter switches
Ammeter switches
Voltmeter switches

Bypass switches
Closed transition switches
UPS switches

Reversing switches
Pump-start switches
Stop-start switches
Ventilation switches

Binarycode switches

Standards

IEC/EN 60 947-1, -3
VDE 0660 Teil 107
UL508
CSA



▶ Captive plus-minus screws save installation time and the integrated screwdriver guides make the use of motorized screwdrivers easy and stable.

Quick and easy to install

Captive plus-minus screws save installation time and the integrated screwdriver guides (available in sizes up to 160 Amps) make the use of motorized screwdrivers easy and stable. Lug terminals for connecting cable clamps and crimp lugs are available for the sizes from 125 Amps.

The double cam system shortens the multistep switch and enables the use of shallow enclosures. The sizes up to 40 Amps, including a black handle on a silver front plate, are suitable for snap on door mounting while the sizes from 80 to 200 Amps contain screw-mounted handles for door mounting.



▶ Self lifting terminal screws for fast cabling



◀ Complete delivery includes handle and front plate. Snap-on mounting of contact block with interlocking in sizes OM, ON and OL 40. Protected interconnections.

What can be specified by Camweb?

Distinctive needs, such as front plate engraving, padlocking in various positions, key operation, key interlocking, auxiliary contacts for low ratings and special timings can be specified with the configuration tool. It is also possible to build switches with different chamber sizes in the same switch. Double and triple gang switches, as well as long cam switches with metallic shaft, can be specified with up to 60 contacts and 12 positions.

Easy to specify and to order

The user-friendly Camweb configuration tool is very simple to use: it provides a new approach to ordering with easy specifications and a minimized total delivery time. The tool guides the user in order to avoid incompatible/impossible solutions, eliminating mistakes and automatically generating the type and the ordering code. The optional paste and order tool generates the price for immediate ordering. The order handling of the special cam switch is as smooth as for the standard products - the same information goes transparent and unchanged throughout the process.

The Camweb configuration tool can be found on the ABB Internet site or directly from the address:
a.salesconfigurator.com



▲ Finger-proof tunnel terminals eliminate the risk of touching live parts without adding any protective covers.

◀ Versatile selection of padlocking and interlocking solutions

Safe to use with reliable contacts

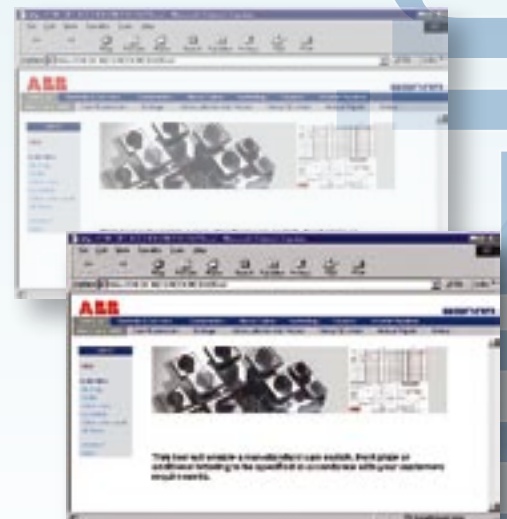
Finger-proof tunnel terminals and interconnections eliminate the risk of touching live parts without adding any protective covers. This ensures safe operation, protecting people and equipment. The switches provide reliable isolation and stable contact positions with or without overlapping contacts.

The switches are designed for resistive and slightly inductive motor loads having a high switching reliability in distinctive environments, providing you with added value. Breaking capacity tests performed, cover AC22 as well as AC23 categories.

The well-enclosed contact chamber construction and special design of the OM's contact tip with high contact pressure ensure increased contact reliability and a long life span. Due to the contact design, the switches are also suitable for very low voltages (5 V) and currents (5mA). Gold-plated contacts are available on request.

Special cam switches for distinctive requirements

Special cam switches can be configured on the Internet by the Camweb configurator. The specification and ordering of special cam switches is as easy as selecting standard products!



Camweb

Standard

CAM SWITCHES RANGE

Black handle and silver frontplate with standard text are included.

CamLine

		Cam switch size I _{th} / IEC 60947 [A] UL 508 [A]
		Positions
ON-OFF switches		
Rotating angle 90, 0-position: 9 o'clock		
Black handle		1 - 0
Key operated		1 - 0
Rotating angle 90, 0-position: 12 o'clock		
Black handle		1 - 0
Key operated		1 - 0
Change-over switches		
Rotating angle 60 - 0 - 60, with 0-position		
Black handle		1 - 0 - 2
Key operated		1 - 0 - 2
Key operated, with two sided spring return		1 _R - 0 - 2 _R
Rotating angle 60 - 60, without 0-position		
With common center position and with overlapping contacts		1 - 2
		1 - 1 + 2 - 2
Bypass switches		
Without overlapping, for 3 and 4-pole net		1 - 0 - Bypass
With overlapping, for 3 and 4-pole net		1 - Bypass
Multistep switches		
With 0-position		
2 - step switches		0-1-2
3- step switches		0-1-2-3
4- step switches		0-1-2-3-4
5- step switches		0-1-2-3-4-5
6- step switches		0-1-2-3-4-5-6
7, 8, 9, 10 and 11- step switches		0-1-2-3-4-5-6-7-8...-11
Without 0-position		
3- step switches		1-2-3
4- step switches		1-2-3-4
5- step switches		1-2-3-4-5
6- step switches		1-2-3-4-5-6
7, 8, 9, 10, 11 and 12- step switches		1-2-3-4-5-6-7-8...-12
Motor control switches		
Ventilation switches		A - 0 - 1/2 - 1/1
Reversing switches		1 - 0 - 2
Star-delta switches		0 - Y - Δ
Pole-change switches (Dahlander)		0 - A - AYY
Pumpstart switches		0 - 1
Stop switches		0 _R - Stop
Start switches		Stop - Start
		0 _R - Start
		0 - 1 _R - Start
		Start - 1 _R - 0 - 2 _R - Start
Volt-ammeter switches		
3 phases and 3 current transformers with common pole		0 - 1 - 2 - 3
Voltmeter switches		
4 positions, 3 phase - 3 wire, with 0-position		0, L1-L2, L2-L3, L3-L1
3 positions, 3 phase - 3 wire, without 0-position		L1-L2, L2-L3, L3-L1
7 positions, 3 phase to phase, 3 phase to neutral, without 0-position		L1-L3, L2-L3, L1-L2, L1-N, L2-N, L3-N
7 positions, 3 phase to phase, 3 phase to neutral, with 0-position		L1-L3, L2-L3, L1-L2, 0, L1-N, L2-N, L3-N
7 positions, 3 phase to phase voltages for 2 circuits, with 0-position		L1-L3, L2-L3, L1-L2, 0, L1-L3, L2-L3, L1-L2
Ammeter switches		
For 3 current transformer circuits, with 0-position		0 - 1 - 2 - 3
Binarycode switches		0-1-2-3-4-5-6-7...-9...-11



Door mounted

DIN rail mounted

OM	ON	OL40	OL80	OL125	OL160	OL200	ON_M
10	25	45	115	150	175	280	25
10	25	40	-	125	160	200	25

Door mounted			DIN rail mounted		
1, 2, 3, 4, 5 and 6- pole 1 and 3- pole			1, 2, 3 and 4- pole -		
1, 2, 3, 4, 5 and 6- pole 1 and 3- pole			1, 2, 3 and 4- pole -		
1, 2, 3 and 4- pole 1 and 3- pole			1, 2, 3 and 4- pole -		
1 and 3- pole	1, 2 and 3- pole	-	-	-	1- pole
-	1, 2, 3 and 4- pole 3 and 4- pole	-	3 and 4- pole	-	1, 2, 3 and 4- pole -
-	3 / 6- pole, 4 / 8- pole	-	3 / 6- pole, 4 / 8- pole	-	-
-	4 / 6- pole, 4 / 8- pole	-	4 / 6- pole, 4 / 8- pole	-	-
1, 2, 3 and 4- pole	-	-	-	-	1- pole
1, 2, 3 and 4- pole	1- pole	-	-	-	1- pole
1, 2 and 3- pole	-	-	-	-	-
1 and 2- pole	-	-	-	-	-
-	1, 2 and 3- pole	-	-	-	-
-	1- pole	-	-	-	-
1, 2, 3 and 4- pole	-	-	1-pole	-	1- pole
1, 2 and 3- pole	-	-	-	-	-
1 and 2- pole	-	-	-	-	-
-	1, 2 and 3- pole	-	-	-	-
-	1- pole	-	-	-	-
-	2- pole	-	-	-	1- pole
-	3- pole	-	-	-	-
-	3- pole	-	3- pole	-	-
-	3- pole	-	3- pole	-	-
1- pole	-	-	-	-	1- pole
2- pole	-	-	-	-	-
-	1- pole	-	-	-	-
1- pole	-	-	-	-	-
1- pole	-	-	-	-	1- pole
-	1- pole	-	-	-	1- pole
3- pole	-	-	-	-	-
3- pole	-	-	-	-	3- pole
3- pole	-	-	-	-	3- pole
3- pole	-	-	-	-	3- pole
4- pole	-	-	-	-	-
1- pole	1 and 2- pole	-	-	-	1- pole
-	1 and 2- pole	-	-	-	-

ACCESSORIES

for standard cam switches

CamLine



► Handles

Handles

Snap on handle with front plate without engraving

Size 30x30, black, grey, red, red-yellow

Size 48x48, black, grey, red, red-yellow

Size 64x64, black, grey, red, red-yellow

Screw mounting handle with front plate without engraving

Size 90x90, black, grey, red, red-yellow

Size 130x130, black, grey, red, red-yellow

Snap-on handles with round escutcheon plate

Black

Black, nose-type

Screw mounting pistol type handle

Black or red

Screw mounting double lever handle

Black or red

Padlockable handle knob, without front plate

Black, red-yellow

Round padlockable handles for screw mounting on door

Size 64x64, black, red-yellow

Size 90x90, black, red-yellow

Front plates

Front plate, without engraving

Size 30x30, silver, yellow

Size 48x48, silver, yellow

Size 64x64, silver, yellow

Size 90x90, silver, yellow

Size 130x130, silver, yellow

Size H=45mm, W=54mm, grey

Additional lettering plate

Without engraving

Size 30x30, black or grey frame

Size 48x48, black or grey frame

Size 64x64, black or grey frame

Other accessories

Front ring

Shaft sealing

Spare key

Protective rear cover

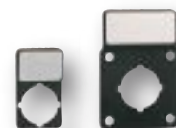
Nut spanner

Adaptor ring

Base mounting kit



► Front plates



► Additional lettering plate



Door mounted					DIN-rail mounted
OM	ON	OL40	OL80...OL160	OL200	ON_M
x					
	x	x			
	x	x			
			x		
				x	
x	x	x			
x					
			x	x	
				x	
	x	x			x
	x	x			
			x		
x	x	x			
			x	x	
					x
x	x	x			
	x	x			
	x	x			
x	x	x			
	x	x			
	x	x			



► Front ring



► Spare key



► Protective rear cover



► Nut spanner



► Adaptor ring
22.5/30.5 mm

Special CAM SWITCHES

To be specified by the Camweb
configuration tool

a.salesconfigurator.com



Mounting

Door mounted

Snap-on mounted handle

Padlockable

Round, padlockable

Square, padlockable

Screw mounted handle

Round, padlockable

Square, padlockable

Round front ring

Key operated handle

Cylinder lock

Push button lock

Pistol type handle

Double lever handle

Base mounted

Snap-on mounted handle

Padlockable

Screw mounted handle

Door clutch

Type of contacts

Normal

Number of contacts

Double gang (Tandem)

Number of contacts

Triple gang

Number of contacts

Long shaft

Number of contacts

Connections

Standard box (tunnel) terminals

Fast on clips

Double fast on clips

Lug terminals

Other features

Spring return function

Metallic camshaft

Gold contacts

Enclosed cam switches



► Padlockable handle range



	Door mounted					DIN-rail mounted
	OM	ON	OL40	OL80...OL160	OL200	ON_M
	x	x	x			
		x	x			
		x	x			
		x	x			
	x	x	x	x	x	
				x	x	
				x	x	
	x	x	x			
		x	x			
		x	x			
				x	x	
				x		
		x	x			
		x	x			
				x	x	
				x		
	max. 16	max. 20 max. 40 max. 60 max. 60	max. 20 max. 40 max. 60 max. 60			max. 6
	x	x	x	x		x
	x	x	x			
	x	x	x			
				x	x	
	x	x	x	x	x	x
	x	x	x	x	x	x
		x				



Standard handles

Cam switches up to the size OL40 are delivered with snap-on handles for 22.5 mm door drilling, while the larger handle sizes are screw mounted (4-hole mounting). Screw mounted handles are available for all sizes and they can be specified by the Camweb configurator. Protection degree IP65, NEMA4X.



Special handles for large switches

Pistol type handles and double lever handles are available for the sizes OL80...OL200. Protection degree is the same as for the front plate.



Padlockable handles

Padlockable handle knob, type **_ Z _**

Optional handle for replacing the standard knob handle. Two padlocks with bail diameter of 6 mm or three padlocks with 4 mm bail diameter. Padlocking is possible every 90 degrees at 9, 12, 3 and 6 o'clock positions. Available for the sizes ON...OL40 (6 mm shaft diameter). Suitable for both snap-on and screw mounted handles. Protection degree IP65, NEMA4X.



Round padlockable handle, type **_ 3 _**

The round padlockable handle can be padlocked at 9 o'clock or when the switch is turned 90 degrees at 12 o'clock. For maximum three padlocks with max. 8 mm bail diameter. Available for sizes ON...OL160 as a snap-on or screw mounted version. Protection degree IP65, NEMA4X.



Square padlockable handle, type **_ 5 _**

The programmable square handle, with one to four possible padlocking positions at certain angles, can be specified by the Camweb configurator. For maximum three padlocks with max. 6 mm bail diameter for sizes ON...OL40 or 8 mm for sizes OL80...200, screw mounted. Protection degree IP65.



Interlocking solutions

Key operated cam switches, type **_ K _**

Key switches are operated by the key, which functions as the operating handle. Special key codes can be selected in camweb. The standard key removal is possible at every 90 degrees 12, 3, 6 and 9 o'clock or every 60 degrees from 1 o'clock onwards by Camweb only. The delivery contains two keys. In non-standard switches the key removal positions can be specified by the Camweb configurator. The key switch is available for the sizes OM...OL40, also enclosed switches. Protection degree IP54.



Key interlocked cam switches with cylinder interlock, type **_ Q _**

The operation of the cam switch is interlocked with the cylinder lock below the switch. The interlocking is possible in one to four selected positions by the key. The possible interlocking positions are specified by the Camweb configurator. The delivery contains two keys. Available for the sizes ON...OL160. Protection degree IP65, NEMA 4X. Special key codes can be selected by camweb.



Push button interlock, type **_ U _**

The push button releases the cam switch in one or several positions specified by the Camweb configurator. Auxiliary contacts are possible to operate with the push button.



Base mounted switches

Modular cam switches, type **_ M _**

Modular cam switches are available for up to 6 contacts according to the DIN-rail component standard. Clip-on mounting on DIN-rail. Protection degree IP20.



Base mounted cam switches, type **_ B _**

Base mounted cam switches are recommended to be specified for the desired shaft length or panel depth by the Camweb configurator. The shaft can be specified with the door clutch, which locks the door in the ON-position. Mounting kit type ONZ74 for door-mounted ON cam switches can be ordered as optional extra with shaft length 200 mm and DIN rail

Base mounted cam switches, type **_ I _** with direct mounted handles are available as special cam switches. The standard or padlockable handle is fixed on the cam switch.



Base mounted cam switch with direct handle



Base mounted cam switch with handle on the door



Base mounted cam switch and door clutch

Cam switches with high number of contacts

Double and triple gang switches, types **_ 2S _** or **_ 3S _**

Double and triple gang switches (2 x 20 or 3 x 20 contacts) are specified by the Camweb configurator for door and base mounting with the handle size from 64 mm. Grip handle, type H, as standard. Padlocking with square padlockable handles. Screw mounting.

Metallic shaft, type **_ T _**

ON cam switches are available with metallic shafts allowing max. 60 contacts to be assembled in one long cam switch. Specification by the Camweb configurator.



Spring return

The spring return movement is always 30 degrees. The next step of the static position of spring return needs to be 90 degrees if not symmetrical design.



Round front ring

The round front ring replaces the square escutcheon plate. The assembly do not include position indications. The round front ring is available as special switch configured by the Camweb. Type **_ X _**



Terminations

Quick connects, types **_ F _ or **_ D _****

Cam switches are available with quick connects 6.3 x 0.8 or double FASTON-quick connects 2 x 3.15. Specification by the Camweb configurator.



Lug terminals, type **_ L _**

The OL80...160 cam switches are normally provided with protected box type termination. Lug terminals for cable lugs are specified by the Camweb configurator.



Gold contacts, type **_ G _**

The OM and ON switches can be supplied with gold contacts. Specification recommended by the Camweb configurator.

CamLine

Rotary cam switches

Technical data

Technical data

Ratings according to IEC60947

		Size	OM	ON	OL40	OL80	OL125	OL160	OL200
Impuls withstand voltage	U_{imp}	kV	2.5	4	6	6	6	6	6
Rated insulation voltage		V	500	690	690	690	690	690	690
Rated operational voltage	U_e	V	250	400	690	690	690	690	690
Rated thermal current	I_{th}	A	10	25	45	115	150	175	280
Rated conditional short circuit current	I_p (r.m.s.)	kA	1	7	10	10	10	10	10
Max back-up fuse link		A	10	25	40	125	160	200	250
Rated short time withstand current (r.m.s)	3s	A		100	360	800	1280	1280	1600
	10s	A		60	200	420	700	700	1000
	30s	A		32	120	260	400	400	600
	60s	A		30	80	160	280	280	400
Rated operational current	I_e	A	10	25	45	115	150	160	250
	AC1 400V	A	10	25	45	115	150	170	250
	AC21 400V	A	10	25	45	115	150	170	250
	AC11 220-240V	A	2.5	5.5	14	30	45	45	80
	380-440V	A	-	3.5	6.0	30	45	45	80
	500V	A	-	4.5	7.0	28	40	40	70
	AC22 220-500V	A	10	20	40	100	150	170	250
	660-690V	A	-	20	40	80	100	100	125
Rated operational current									
Time constant 0...1ms	DC1 24V	A	10	20	40	115	130	150	250
	48V	A	6	10	20	100	115	130	200
	60V	A	2.5	3	5	-	-	-	-
	110V	A	0.7	0.8	1	-	-	-	-
	220V	A	0.3	0.4	0.6	-	-	-	-
	440V	A	-	0.22	0.25	-	-	-	-
Rated operational current									
Time constant 1...50 ms	DC1 24V	A	6	10	32	100	115	130	200
	30V	A	3	4.5	11	33	36	40	50
	40V	A	1	1.7	4	-	-	-	-
	60V	A	0.7	0.8	1.5	-	-	-	-
	110V	A	0.3	0.4	0.6	-	-	-	-
Rated operational power									
AC23 3 ph.	220-240V	kW	1.8	2.6	7.5	30	37	37	56
	380-440V	kW	3	7.5	15	45	75	75	75
	500V	kW	-	4.8	15	55	75	90	85
	660-690V	kW	-	4.8	15	45	50	55	90
AC23 1 ph.	110V	kW	0.37	0.5	2.5	5.5	9	11	14
	220-240V	kW	0.75	0.9	4	15	20	22	30
	400V	kW	1.1	1.5	7.5	22	35	37	45
Rated operational power									
AC2 3 ph.	220-240V	kW	2.5	3.5	11	30	35	37	70
	380-440V	kW	-	6	18.5	45	50	55	95
	500V	kW	-	6	18.5	55	65	75	103
	660-690V	kW	-	6	18.5	55	65	55	110

CamLine

Rotary cam switches

Technical data

Technical data

Ratings according to IEC60947

		Size	OM	ON	OL40	OL80	OL125	OL160	OL200
AC3 3 ph.	220-240V	kW	1.8	2.2	7.5	15	20	22	47
	380-440V	kW	2.2	5.5	11	30	35	37	64
	500V	kW	-	4	11	30	35	37	82
	660-690V	kW	-	4	11	30	30	30	88
AC3 1 ph.	110V	kW	0.3	0.4	2.5	3.7	6	6	12
	220-240V	kW	0.55	0.75	4.0	7.5	11	11	24
	400V	kW	0.75	1.3	5.5	13	19	19	40

Terminals

	Size	OM	ON	OL40	OL80	OL125	OL160	OL200
Connecting screws	M	2.5	3.5	5	5	5	5	10
Max cable cross section	mm ²	1.5	4	6	70	70	70	150
	AWG	14	14-12	14-8	12-2/0	12-2/0	12-2/0	kcmil 300

Contacts

	Size	OM	ON	OL40	OL80	OL125	OL160	OL200
Minimum voltage AC/DC	5V							
Minimum current AC/DC	5mA							
Standard butt contact with plain contact tip			x	x	x	x	x	x
Butt contact with peak type contact tip		x						
Gold contacts (special)		x	x	x				
Storing temperature	-40°...+80°C							
Operational temperature	-30°...+70°C							

Ratings according to UL and CSA

		Size	OM	ON	OL40	OL80	OL125	OL160	OL200
Maximum operating voltage		V	300	600	600	600	600	600	600
	Pilot duty category	CSA/UL VAC	A300	A600	A600	A600	A600	A600	A600
Ampere rating	General use	CSA A	10	25	40	80	125	170	200
	at 600VAC	UL A	10	25	40	80	125	170	200
Rated power	3-phase	120V HP	1	1	5	10	15	15	32
		240V HP	1	2	10	30	40	40	64
		480V HP	-	5	20	30	40	50	120
		600V HP	-	5	20	30	40	50	120
	1-phase	120V HP	0.33	1	2	7.5	10	10	-
		240V HP	1	1	3	15	20	20	-
		480V HP	-	2	10	-	-	-	-
		600V HP	-	3	10	-	-	-	10
Short circuit ratings									
Maximum prospective fault current		kA	1	10	10	10	10	10	10
Maximum fuse size		A	16	35(RK5)	50(RK3)	100(RK5)	150(RK5)	200(RK5)	250(RK5)
Switching frequency		cycles/hour	150	150	150	150	150	150	150

CamLine

Rotary cam switches

Ordering details

ON - OFF switches

Black handle and front plate with position indication are included.
The type and the ordering number are for one piece.

Function	Number of poles	Rated thermal current I_{th} [A]	Type	Order number	Delivery batch [pcs]	Weight/unit [kg]	
Step angle 90°, O-position: 9 o'clock							
Door mounted							
0 - 1	1	10	OMA1PB	1SCA022531R3950	10	0.04	
	2	10	OMA2PB	1SCA022531R4090	10	0.04	
	3	10	OMA3PB	1SCA022531R4170	10	0.05	
	4	10	OMA4PB	1SCA022531R4330	10	0.05	
	5	10	OMA5PB	1SCA022531R4410	10	0.06	
	6	10	OMA6PB	1SCA022531R4500	10	0.06	
0 - 1	1	25	ONA1PB	1SCA022531R4920	10	0.08	
	2	25	ONA2PB	1SCA022531R5060	10	0.09	
	3	25	ONA3PB	1SCA022531R5140	10	0.10	
	4	25	ONA4PB	1SCA022531R5220	10	0.11	
	5	25	ONA5PB	1SCA022531R5310	10	0.12	
	6	25	ONA6PB	1SCA022531R5490	10	0.12	
	8	25	ONA8PB	1SCA022684R5230	10		
	0 - 1	1	45	OL40A1PB	1SCA022755R7140	10	0.13
2		45	OL40A2PB	1SCA022755R7220	10	0.17	
3		45	OL40A3PB	1SCA022755R7310	10	0.21	
4 ¹⁾		45	OL40A4PB	1SCA022755R7490	10	0.25	
6		45	OL40A6PB	1SCA022755R7650	10	0.33	
8 ²⁾		45	OL40A8PB	1SCA022755R7810	10	0.41	
0 - 1		1	115	OL80A1RB	1SCA022789R9960	1	0.30
		2	115	OL80A2RB	1SCA022790R0050	1	0.34
	3	115	OL80A3RB	1SCA022790R0130	1	0.41	
	4	115	OL80A4RB	1SCA022790R0210	1	0.45	
	6	115	OL80A6RB	1SCA022790R0300	1	0.56	
	8	115	OL80A8RB	1SCA022790R0480	1	0.67	
	0 - 1	1	150	OL125A1RB	1SCA022790R1370	1	0.30
		2	150	OL125A2RB	1SCA022790R1450	1	0.34
3		150	OL125A3RB	1SCA022790R1530	1	0.41	
4		150	OL125A4RB	1SCA022790R1610	1	0.45	
6		150	OL125A6RB	1SCA022790R1700	1	0.56	
8		150	OL125A8RB	1SCA022790R1880	1	0.67	
0 - 1		1	175	OL160A1RB	1SCA022790R5010	1	0.13
		2	175	OL160A2RB	1SCA022790R5100	1	0.17
	3	175	OL160A3RB	1SCA022790R5280	1	0.21	
	4	175	OL160A4RB	1SCA022790R5360	1	0.25	
	6	175	OL160A6RB	1SCA022790R5440	1	0.33	
	8	175	OL160A8RB	1SCA022790R5520	1	0.41	
	0 - 1	1	280	OL200A1RB	1SCA022790R5610	1	1.60
		2	280	OL200A2RB	1SCA022790R5790	1	2.00
3		280	OL200A3RB	1SCA022790R5870	1	2.40	
4		280	OL200A4RB	1SCA022790R5950	1	3.10	
6		280	OL200A6RB	1SCA022790R6090	1	4.20	
8		280	OL200A8RB	1SCA022790R6170	1	5.30	
DIN-rail mounted							
0 - 1		1	25	ONA1M	1SCA022531R6030	10	0.09
	2	25	ONA2M	1SCA022531R6110	10	0.10	
	3	25	ONA3M	1SCA022531R6200	10	0.11	
	6	25	ONA6M	1SCA022545R3020	10	0.12	

Key operated, withdrawable in both positions, step angle 90°, O-position: 9 o'clock

Door mounted						
0 - 1	1	10	OMA1KB	1SCA022531R4760	10	0.06
	3	10	OMA3KB	1SCA022531R4840	10	0.07
0 - 1	1	25	ONA1KB	1SCA022531R5570	10	0.11
	3	25	ONA3KB	1SCA022531R5650	10	0.13

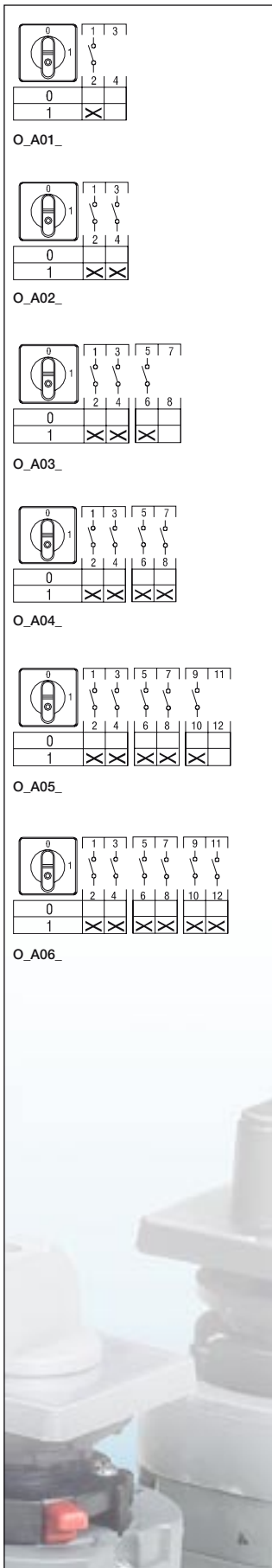
¹⁾ 4th pole early make, late break in A4_ and A8_ types
²⁾ 7th and 8th pole early make, late break

Packing sizes for 10 pcs: OM 130 x 100 x 120 [mm]
ON, OL40 250 x 100 x 110 [mm]

CamLine

Rotary cam switches

Ordering details



ON - OFF switches

Black handle and front plate with position indication are included.
The type and the ordering number are for one piece.

Function	Number of poles	Rated thermal current I_m [A]	Type	Order number	Delivery batch [pcs]	Weight/unit [kg]
Step angle 90°, O-position: 12 o'clock						
Door mounted						
0 - 1	1	10	OMA01PB	1SCA022570R6680	10	0.04
	2	10	OMA02PB	1SCA022570R6760	10	0.04
	3	10	OMA03PB	1SCA022570R6840	10	0.05
	4	10	OMA04PB	1SCA022570R6920	10	0.05
	5	10	OMA05PB	1SCA022570R7060	10	0.06
	6	10	OMA06PB	1SCA022570R7140	10	0.06
0 - 1	1	25	ONA01PB	1SCA022570R7220	10	0.08
	2	25	ONA02PB	1SCA022570R7310	10	0.09
	3	25	ONA03PB	1SCA022570R7490	10	
	4 ¹⁾	25	ONA04PB	1SCA022570R7570	10	0.11
	5	25	ONA05PB	1SCA022570R7650	10	0.12
	6	25	ONA06PB	1SCA022570R7730	10	0.12
DIN-rail mounted						
0 - 1	1	25	ONA01M	1SCA022572R5630	10	0.09
	2	25	ONA02M	1SCA022572R5710	10	0.10
	3	25	ONA03M	1SCA022572R5800	10	0.11
	6	25	ONA06M	1SCA022572R5980	10	0.12
Key operated, withdrawable in both positions, step angle 90°, O-position: 12 o'clock						
Door mounted						
0 - 1	1	10	OMA01KB	1SCA022570R7810	10	0.06
	3	10	OMA03KB	1SCA022570R7900	10	0.07
0 - 1	1	25	ONA01KB	1SCA022570R8030	10	0.11
	3	25	ONA03KB	1SCA022570R8110	10	0.13

Packing sizes for 10 pcs: OM 130 x 100 x 120 [mm]
ON, OL40 250 x 100 x 110 [mm]

¹⁾ 4th pole with early make, late break
AO_types with simultaneous contacts

CamLine

Rotary cam switches

Ordering details

Change-over switches

Black handle and front plate with position indication are included.
The type and the ordering number are for one piece.

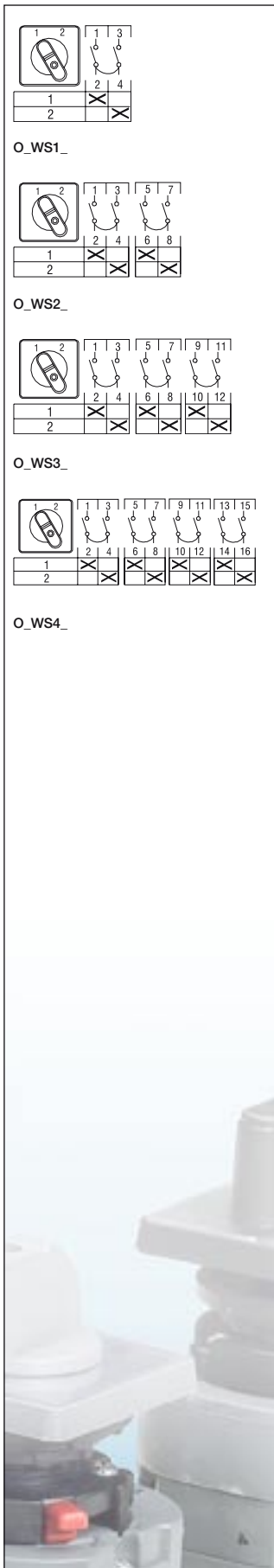
Function	Number of poles	Rated thermal current I_{th} [A]	Type	Order number	Delivery batch [pcs]	Weight/unit [kg]
Step angle 60°, with 0-position						
Door mounted						
1 - 0 - 2	1	10	OMU1PB	1SCA022532R5960	10	0.09
	2	10	OMU2PB	1SCA022532R6000	10	0.11
	3	10	OMU3PB	1SCA022532R6180	10	0.13
	4	10	OMU4PB	1SCA022532R6260	10	0.14
1 - 0 - 2	1	25	ONU1PB	1SCA022532R7310	10	0.09
	2	25	ONU2PB	1SCA022532R7400	10	0.11
	3	25	ONU3PB	1SCA022532R7580	10	0.13
	4	25	ONU4PB	1SCA022532R7660	10	0.14
1 - 0 - 2	1	45	OL40U1PB	1SCA022761R0990	10	0.17
	2	45	OL40U2PB	1SCA022761R1020	10	0.25
	3	45	OL40U3PB	1SCA022761R1110	10	0.33
	4	45	OL40U4PB	1SCA022761R1290	10	0.41
1 - 0 - 2	1	115	OL80U1RB	1SCA022790R0560	1	0.34
	2	115	OL80U2RB	1SCA022790R0640	1	0.45
	3	115	OL80U3RB	1SCA022790R0720	1	0.56
	4	115	OL80U4RB	1SCA022790R0810	1	0.67
1 - 0 - 2	1	150	OL125U1RB	1SCA022790R1960	1	0.34
	2	150	OL125U2RB	1SCA022790R2000	1	0.45
	3	150	OL125U3RB	1SCA022790R2180	1	0.56
	4	150	OL125U4RB	1SCA022790R2260	1	0.67
1 - 0 - 2	1	175	OL160U1RB	1SCA022790R6840	1	0.34
	2	175	OL160U2RB	1SCA022790R6920	1	0.45
	3	175	OL160U3RB	1SCA022790R7060	1	0.56
	4	175	OL160U4RB	1SCA022790R7140	1	0.67
1 - 0 - 2	1	280	OL200U1RB	1SCA022790R7220	1	2.00
	2	280	OL200U2RB	1SCA022790R7310	1	3.10
	3	280	OL200U3RB	1SCA022790R7490	1	4.20
	4	280	OL200U4RB	1SCA022790R7570	1	5.30
DIN-rail mounted						
1 - 0 - 2	1	25	ONU1M	1SCA022532R8210	10	0.09
	2	25	ONU2M	1SCA022532R8390	10	0.11
	3	25	ONU3M	1SCA022532R8470	10	0.13
	4	25	ONU4M	1SCA022534R2710	10	0.14
Key operated, with 0-position, withdrawable in all positions, step angle 60°						
Door mounted						
1 - 0 - 2	1	10	OMU1KB	1SCA022532R6340	10	0.07
	3	10	OMU3KB	1SCA022532R6420	10	0.08
1 - 0 - 2	1	25	ONU1KB	1SCA022532R7740	10	0.12
	3	25	ONU3KB	1SCA022532R7820	10	0.13
1_R - 0 - 2_R, with two sided spring return, step angle 60°						
Door mounted						
1 _R - 0 - 2 _R	1	10	OMURR1PB	1SCA022532R6510	10	0.05
	3	10	OMURR3PB	1SCA022532R6690	10	0.06
1 _R - 0 - 2 _R	1	25	ONURR1PB	1SCA022532R7910	10	0.09
	2	25	ONURR2PB	1SCA022558R4040	10	0.11
	3	25	ONURR3PB	1SCA022532R8040	10	0.12
1 _R - 0 - 2 _R	1	45	OL40URR1PB	1SCA022761R1370	10	0.17
	2	45	OL40URR2PB	1SCA022761R1450	10	0.25
	3	45	OL40URR3PB	1SCA022761R1530	10	0.33
DIN-rail mounted						
1 _R - 0 - 2 _R	1	25	ONURR1M	1SCA022568R3530	10	0.09

Packing sizes for 10 pcs: OM 130 x 100 x 120 [mm]
ON, OL40 250 x 100 x 110 [mm]

CamLine

Rotary cam switches

Ordering details

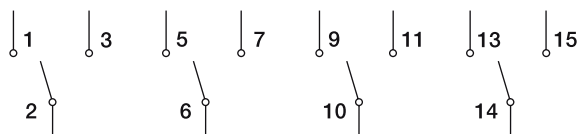


Change-over switches

Black handle and front plate with position indication are included.
The type and the ordering number are for one piece.

Function	Number of poles	Rated thermal current I_{th} [A]	Type	Order number	Delivery batch [pcs]	Weight/unit [kg]
Without 0-position, step angle 60°						
Door mounted						
1 - 2	1	10	OMWS1PB	1SCA022532R6770	10	0.09
	2	10	OMWS2PB	1SCA022532R6850	10	0.11
	3	10	OMWS3PB	1SCA022533R0610	10	0.13
	4	10	OMWS4PB	1SCA022533R0700	10	0.14
1 - 2	1	25	ONWS1PB	1SCA022532R8120	10	0.09
	2	25	ONWS2PB	1SCA022532R9360	10	0.11
	3	25	ONWS3PB	1SCA022532R9440	10	0.13
	4	25	ONWS4PB	1SCA022532R9520	10	0.14
1 - 2	1	45	OL40WS1PB	1SCA022761R1610	10	0.17
	2	45	OL40WS2PB	1SCA022761R1700	10	0.25
	3	45	OL40WS3PB	1SCA022761R1880	10	0.33
	4	45	OL40WS4PB	1SCA022761R1960	10	0.41
1 - 2	1	115	OL80WS1RB	1SCA022790R0990	1	0.34
	2	115	OL80WS2RB	1SCA022790R1020	1	0.45
	3	115	OL80WS3RB	1SCA022790R1110	1	0.56
	4	115	OL80WS4RB	1SCA022790R1290	1	0.67
1 - 2	1	150	OL125WS1RB	1SCA022790R2340	1	0.34
	2	150	OL125WS2RB	1SCA022790R2420	1	0.45
	3	150	OL125WS3RB	1SCA022790R2510	1	0.56
	4	150	OL125WS4RB	1SCA022790R2690	1	0.67
1 - 2	1	175	OL160WS1RB	1SCA022790R8030	1	0.34
	2	175	OL160WS2RB	1SCA022790R8110	1	0.45
	3	175	OL160WS3RB	1SCA022790R8200	1	0.56
	4	175	OL160WS4RB	1SCA022790R8380	1	0.67
1 - 2	1	280	OL200WS1RB	1SCA022790R8460	1	2.00
	2	280	OL200WS2RB	1SCA022790R8540	1	3.10
	3	280	OL200WS3RB	1SCA022790R8620	1	4.20
	4	280	OL200WS4RB	1SCA022790R8710	1	5.30
DIN-rail mounted						
1 - 2	1	25	ONWS1M	1SCA022532R8710	10	0.09
	2	25	ONWS2M	1SCA022532R8800	10	0.11
	3	25	ONWS3M	1SCA022532R8980	10	0.13
	4	25	ONWS4M	1SCA022532R9010	10	0.14

Wiring diagram (O_WS_)



Packing sizes for 10 pcs: OM 130 x 100 x 120 [mm]
ON, OL40 250 x 100 x 110 [mm]

CamLine

Rotary cam switches

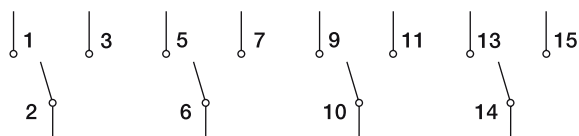
Ordering details

Change-over switches

Black handle and front plate with position indication are included.
The type and the ordering number are for one piece.

Function	Number of poles	Rated thermal current I_{th} [A]	Type	Order number	Delivery batch [pcs]	Weight/unit [kg]
Door mounted						
With overlapping contacts						
1-2	1	10	OMWC1PB	1SCA022799R8270	10	0.09
	2	10	OMWC2PB	1SCA022799R8600	10	0.11
	3	10	OMWC3PB	1SCA022799R9080	10	0.13
	4	10	OMWC4PB	1SCA022799R9160	10	0.14
1-2	1	25	ONWC1PB	1SCA022799R8350	10	0.09
	2	25	ONWC2PB	1SCA022799R8780	10	0.11
	3	25	ONWC3PB	1SCA022799R9240	10	0.13
	4	25	ONWC4PB	1SCA022799R9320	10	0.14
1-2	1	45	OL40WC1PB	1SCA022799R8430	10	0.17
	2	45	OL40WC2PB	1SCA022799R8860	10	0.25
	3	45	OL40WC3PB	1SCA022799R9410	10	0.33
	4	45	OL40WC4PB	1SCA022799R9590	10	0.41
1-2	1	115	OL80WC1RB	1SCA022799R8510	1	0.34
	2	115	OL80WC2RB	1SCA022799R8940	1	0.45
	3	115	OL80WC3RB	1SCA022799R9670	1	0.56
	4	115	OL80WC4RB	1SCA022799R9750	1	0.67
With common center position and with overlapping contacts						
1 - (1 + 2) - 2	3	25	ONUC3PB	1SCA022791R0360	10	0.13
	4	25	ONUC4PB	1SCA022791R0280	10	0.14
1 - (1 + 2) - 2	3	45	OL40UC3PB	1SCA022791R0870	10	0.13
	4	45	OL40UC4PB	1SCA022791R0950	10	0.14
1 - (1 + 2) - 2	3	115	OL80UC3RB	1SCA022791R1410	1	0.56
	4	115	OL80UC4RB	1SCA022791R1920	1	0.67
1 - (1 + 2) - 2	3	150	OL125UC3RB	1SCA022791R1500	1	0.56
	4	150	OL125UC4RB	1SCA022791R2060	1	0.67
1 - (1 + 2) - 2	3	175	OL160UC3RB	1SCA022791R1680	1	0.56
	4	175	OL160UC4RB	1SCA022791R2140	1	0.67
1 - (1 + 2) - 2	3	280	OL200UC3RB	1SCA022791R1760	1	4.20
	4	280	OL200UC4RB	1SCA022791R2220	1	5.30

Wiring diagram (O_WC_, O_UC_)

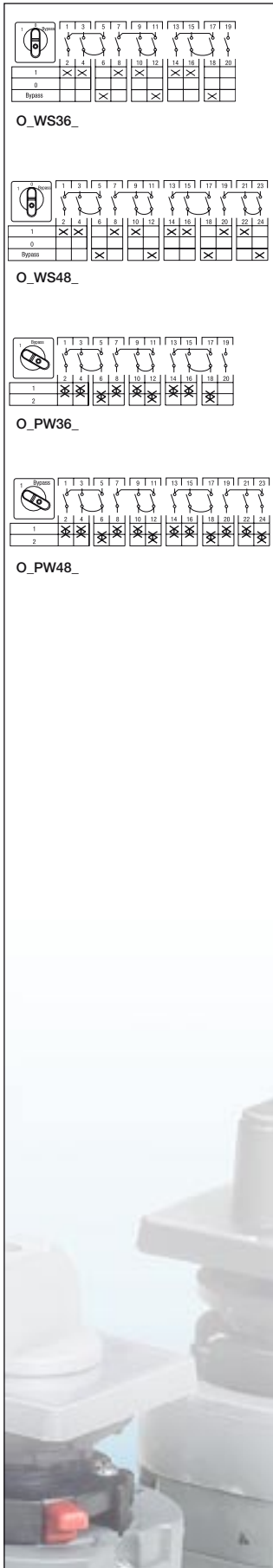


Packing sizes for 10 pcs: OM 130 x 100 x 120 [mm]
ON, OL40 250 x 100 x 110 [mm]

CamLine

Rotary cam switches

Ordering details

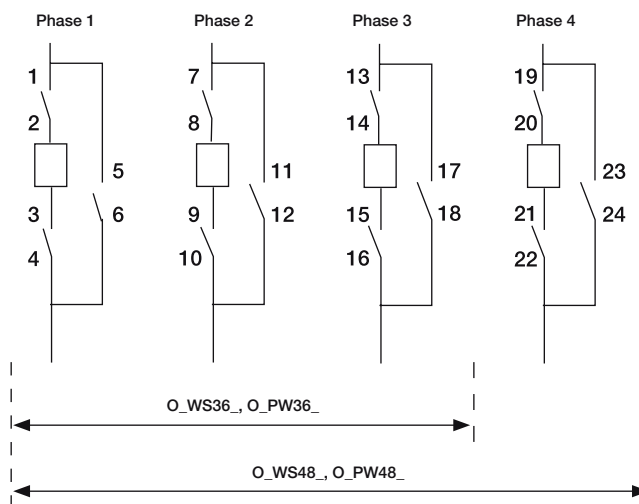


Bypass switches

Black handle and front plate with position indication are included.
The type and the ordering number are for one piece.

Function	Number of poles	Rated thermal current I_{th} [A]	Type	Order number	Delivery batch [pcs]	Weight/unit [kg]
Door mounted						
<i>Without overlapping, 3 and 4- pole network</i>						
1 - 0 - Bypass	3 / 6	25	ONWS36PB	1SCA022791R0440	10	0.17
	4 / 8	25	ONWS48PB	1SCA022791R0520	10	0.19
1 - 0 - Bypass	3 / 6	45	OL40WS36PB	1SCA022791R1090	10	0.21
	4 / 8	45	OL40WS48PB	1SCA022791R1170	10	0.31
1 - 0 - Bypass	3 / 6	115	OL80WS36RB	1SCA022791R2490	1	0.78
	4 / 8	115	OL80WS48RB	1SCA022791R2900	1	0.89
1 - 0 - Bypass	3 / 6	150	OL125WS36RB	1SCA022791R2570	1	0.78
	4 / 8	150	OL125WS48RB	1SCA022791R3030	1	0.89
1 - 0 - Bypass	3 / 6	175	OL160WS36RB	1SCA022791R2650	1	0.78
	4 / 8	175	OL160WS48RB	1SCA022791R3110	1	0.89
1 - 0 - Bypass	3 / 6	280	OL200WS36RB	1SCA022791R2730	1	6.40
	4 / 8	280	OL200WS48RB	1SCA022791R3200	1	7.50
<i>With overlapping, 3 and 4- pole network</i>						
1 - Bypass	3 / 6	25	ONPW36PB	1SCA022791R0610	10	0.17
	4 / 8	25	ONPW48PB	1SCA022791R0790	10	0.19
1 - Bypass	3 / 6	45	OL40PW36PB	1SCA022791R1250	10	0.21
	4 / 8	45	OL40PW48PB	1SCA022791R1330	10	0.31
1 - Bypass	3 / 6	115	OL80PW36RB	1SCA022791R3460	1	0.78
	4 / 8	115	OL80PW48RB	1SCA022791R3970	1	0.89
1 - Bypass	3 / 6	150	OL125PW36RB	1SCA022791R3540	1	0.78
	4 / 8	150	OL125PW48RB	1SCA022791R4010	1	0.89
1 - Bypass	3 / 6	175	OL160PW36RB	1SCA022791R3620	1	0.78
	4 / 8	175	OL160PW48RB	1SCA022791R4190	1	0.89
1 - Bypass	3 / 6	280	OL200PW36RB	1SCA022791R3710	1	6.40
	4 / 8	280	OL200PW48RB	1SCA022791R4270	1	7.50

Wiring diagram, bypass switches



Packing sizes for 10 pcs: OM 130 x 100 x 120 [mm]
ON, OL40 250 x 100 x 110 [mm]

CamLine

Rotary cam switches

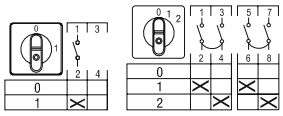
Ordering details

Multistep switches

Black handle and front plate with position indication are included.
The type and the ordering number are for one piece.

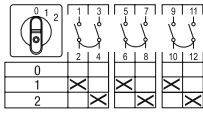
Step angle 30°

Function	Number of poles	Rated thermal current I_{th} [A]	Type	Order number	Delivery batch [pcs]	Weight/unit [kg]
2- step, with O-position						
Door mounted						
0 - 1 - 2	1	10	OMSO21PB	1SCA022533R0880	10	0.04
	2	10	OMSO22PB	1SCA022533R0960	10	0.05
	3	10	OMSO23PB	1SCA022533R1000	10	0.06
	4	10	OMSO24PB	1SCA022533R1180	10	0.07
0 - 1 - 2	1	25	ONSO21PB	1SCA022532R9610	10	0.10
	2	25	ONSO22PB	1SCA022532R9790	10	0.12
	3	25	ONSO23PB	1SCA022532R9870	10	0.13
	4	25	ONSO24PB	1SCA022532R9950	10	0.14
DIN-Rail mounted						
0 - 1 - 2	1	25	ONSO21M	1SCA022532R9100	10	0.10
3- step, with O-position						
Door mounted						
0 - 1 - 2 - 3	1	10	OMSO31PB	1SCA022545R3110	10	0.05
	2	10	OMSO32PB	1SCA022533R1420	10	0.06
	3	10	OMSO33PB	1SCA022533R1510	10	0.07
	4	10	OMSO34PB	1SCA022533R1690	10	0.08
0 - 1 - 2 - 3	1	25	ONSO31PB	1SCA022533R0020	10	0.10
	2	25	ONSO32PB	1SCA022533R0110	10	0.12
	3	25	ONSO33PB	1SCA022533R0290	10	0.13
	4	25	ONSO34PB	1SCA022533R0370	10	0.14
0 - 1 - 2 - 3	1	45	OL40SO31PB	1SCA022758R7810	10	0.41
1 - 0 - 2 - 3	1	115	OL80SO31RB	1SCA022791R4430	1	0.41
	1	150	OL125SO31RB	1SCA022791R4510	1	0.41
	1	175	OL160SO31RB	1SCA022791R4600	1	0.41
	1	280	OL200SO31RB	1SCA022791R4780	1	1.75
DIN-rail mounted						
0 - 1 - 2 - 3	1	25	ONSO31M	1SCA022532R9280	10	0.11
3- step, without O-position						
Door mounted						
1 - 2 - 3	1	10	OMST31PB	1SCA022533R2580	10	0.05
	2	10	OMST32PB	1SCA022533R4010	10	0.06
	3	10	OMST33PB	1SCA022533R4100	10	0.07
	4	10	OMST34PB	1SCA022533R4280	10	0.08
1 - 2 - 3	1	25	ONST31PB	1SCA022533R2740	10	0.10
	2	25	ONST32PB	1SCA022533R2820	10	0.12
	3	25	ONST33PB	1SCA022533R2910	10	0.13
	4	25	ONST34PB	1SCA022533R3040	10	0.14
DIN-rail mounted						
1 - 2 - 3	1	25	ONST31M	1SCA022533R2070	10	0.10

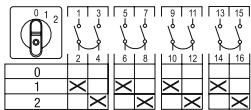


O_SO21_

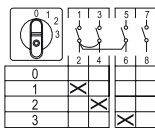
O_SO22_



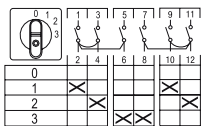
O_SO23_



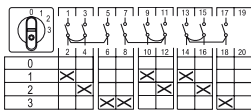
O_SO24_



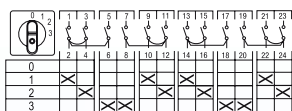
O_SO31_



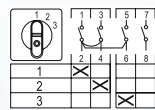
O_SO32_



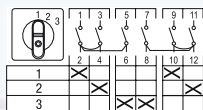
O_SO33_



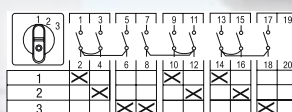
O_SO34_



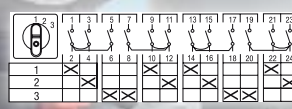
O_ST31_



O_ST32_



O_ST33_



O_ST34_

Packing sizes for 10 pcs: OM 130 x 100 x 120 [mm]
ON, OL40 250 x 100 x 110 [mm]

CamLine

Rotary cam switches

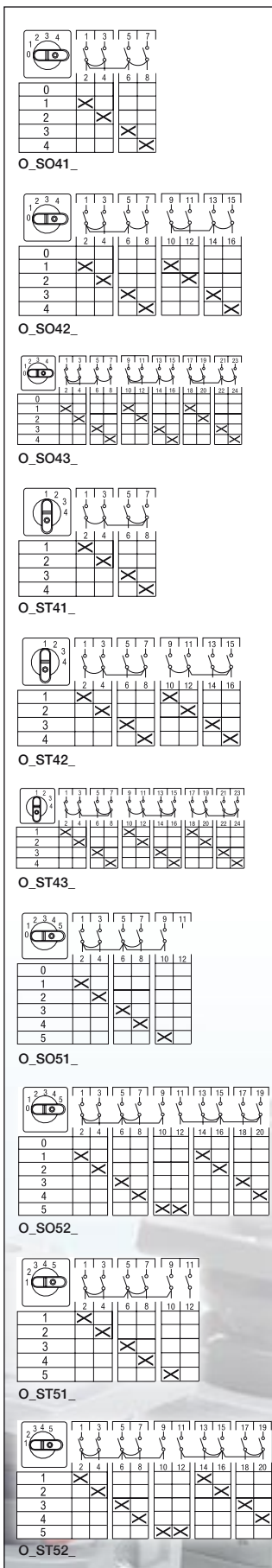
Ordering details

Multistep switches

Black handle and front plate with position indication are included.
The type and the ordering number are for one piece.

Step angle 30°

Function	Number of poles	Rated thermal current I _{th} [A]	Type	Order number	Delivery batch [pcs]	Weight/unit [kg]
4- step, with O-position						
Door mounted						
0 - 1 - 2 - 3 - 4	1	10	OMSO41PB	1SCA022533R1770	10	0.05
	2	10	OMSO42PB	1SCA022533R1850	10	0.06
	3	10	OMSO43PB	1SCA022533R3710	10	0.07
0 - 1 - 2 - 3 - 4	1	25	ONSO41PB	1SCA022533R0450	10	0.11
	2	25	ONSO42PB	1SCA022533R0530	10	0.12
	3	25	ONSO43PB	1SCA022533R2230	10	0.13
4- step, without O-position						
Door mounted						
1 - 2 - 3 - 4	1	10	OMST41PB	1SCA022533R4440	10	0.05
	2	10	OMST42PB	1SCA022533R4610	10	0.06
	3	10	OMST43PB	1SCA022533R4790	10	0.07
1 - 2 - 3 - 4	1	25	ONST41PB	1SCA022533R3210	10	0.11
	2	25	ONST42PB	1SCA022533R3390	10	0.12
	3	25	ONST43PB	1SCA022533R3470	10	0.13
5- step, with O-position						
Door mounted						
0 - 1 - 2 - 3 - 4 - 5	1	10	OMSO51PB	1SCA022533R3800	10	0.06
	2	10	OMSO52PB	1SCA022533R3980	10	0.08
0 - 1 - 2 - 3 - 4 - 5	1	25	ONSO51PB	1SCA022533R2310	10	0.12
	2	25	ONSO52PB	1SCA022533R2400	10	0.14
5- step, without O-position						
Door mounted						
1 - 2 - 3 - 4 - 5	1	10	OMST51PB	1SCA022533R4870	10	0.06
	2	10	OMST52PB	1SCA022533R5090	10	0.08
1 - 2 - 3 - 4 - 5	1	25	ONST51PB	1SCA022533R3550	10	0.12
	2	25	ONST52PB	1SCA022533R3630	10	0.14



Packing sizes for 10 pcs: OM 130 x 100 x 120 [mm]
ON, OL40 250 x 100 x 110 [mm]

CamLine

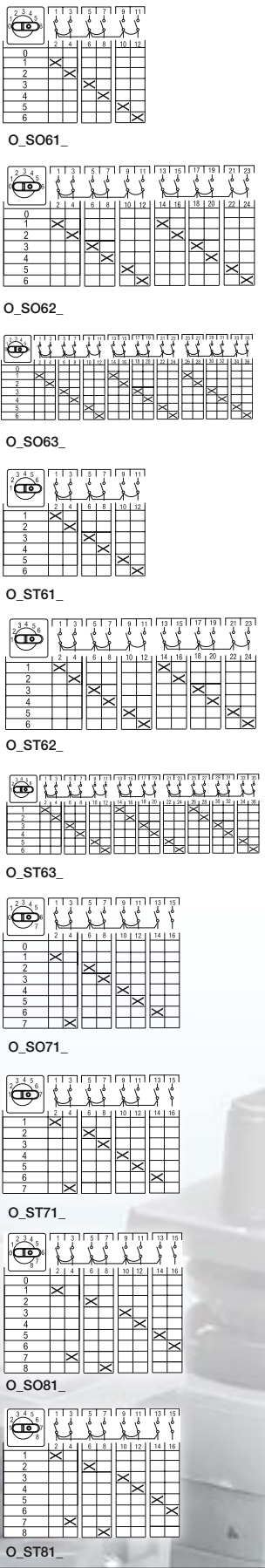
Rotary cam switches Ordering details

Multistep switches

Black handle and front plate with position indication are included.
The type and the ordering number are for one piece.

Step angle 30°

Function	Number of poles	Rated thermal current I _{th} [A]	Type	Order number	Delivery batch [pcs]	Weight/unit [kg]
Door mounted						
6-step, with 0-position						
0 - 1 - 2 - 3 - 4 - 5 - 6	1	25	ONSO61PB	1SCA022776R1180	10	0.115
	2	25	ONSO62PB	1SCA022776R1260	10	0.19
	3	25	ONSO63PB	1SCA022776R1340	10	0.265
0 - 1 - 2 - 3 - 4 - 5 - 6	1	45	OL40SO61PB	1SCA022776R1420	10	0.185
	2	45	OL40SO62PB	1SCA022776R1510	10	0.305
	3	45	OL40SO63PB	1SCA022776R1690	10	0.425
6-step, without 0-position						
1 - 2 - 3 - 4 - 5 - 6	1	25	ONST61PB	1SCA022761R6760	10	0.115
	2	25	ONST62PB	1SCA022776R1770	10	0.19
	3	25	ONST63PB	1SCA022776R1850	10	0.265
1 - 2 - 3 - 4 - 5 - 6	1	45	OL40ST61PB	1SCA022775R1380	10	0.185
	2	45	OL40ST62PB	1SCA022776R1930	10	0.305
	3	45	OL40ST63PB	1SCA022776R2070	10	0.425
7-step, with 0-position						
0-1-2-3-4-5-6-7	1	25	ONSO71PB	1SCA022691R8480	10	0.14
	1	45	OL40SO71PB	1SCA022773R3300	10	0.3
7-step, without 0-position						
1-2-3-4-5-6-7	1	25	ONST71PB	1SCA022776R2150	10	0.14
	1	45	OL40ST71PB	1SCA022776R2230	10	0.3
8-step, with 0-position						
0-1-2-3-4-5-6-7-8	1	25	ONSO81PB	1SCA022661R9730	10	0.145
	1	45	OL40SO81PB	1SCA022773R3480	10	0.148
8-step, without 0-position						
1-2-3-4-5-6-7-8	1	25	ONST81PB	1SCA022685R7320	10	0.145
	1	45	OL40ST81PB	1SCA022773R4960	10	0.148



Packing sizes for 10 pcs:	OM	130 x 100 x 120 [mm]
	ON, OL40	250 x 100 x 110 [mm]



CamLine

Rotary cam switches

Ordering details

Multistep switches

Black handle and front plate with position indication are included.
The type and the ordering number are for one piece.

Step angle 30°

Function	Number of poles	Rated thermal current I_{th} [A]	Type	Order number	Delivery batch [pcs]	Weight/unit [kg]
Door mounted						
9-step, with 0-position						
0-1-2-3-4-5-6-7-8-9	1	25	ONSO91PB	1SCA022776R2310	5	0.165
	1	45	OL40SO91PB	1SCA022776R2400	5	0.265
9-step, without 0-position						
1-2-3-4-5-6-7-8-9	1	25	ONST91PB	1SCA022775R1710	5	0.165
	1	45	OL40ST91PB	1SCA022775R1460	5	0.265
10-step, with 0-position						
0-1-2-3-4-5-6-7-8-9-10	1	25	ONSO101PB	1SCA022776R2580	5	0.17
	1	45	OL40SO101PB	1SCA022776R2660	5	0.27
10-step, without 0-position						
1-2-3-4-5-6-7-8-9-10	1	25	ONST101PB	1SCA022775R1540	5	0.17
	1	45	OL40ST101PB	1SCA022776R2820	5	0.27
11-step, with 0-position						
0-1-2-3-4-5-6-7-8-9-10-11	1	25	ONSO111PB	1SCA022776R2740	5	0.19
	1	45	OL40SO111PB	1SCA022776R2820	5	0.305
11-step, without 0-position						
1-2-3-4-5-6-7-8-9-10-11	1	25	ONST111PB	1SCA022776R2910	5	0.19
	1	45	OL40ST111PB	1SCA022776R3040	5	0.305
12-step, without 0-position						
1-2-3-4-5-6-7-8-9-10-11-12	1	25	ONST121PB	1SCA022775R1620	5	0.195
	1	45	OL40ST121PB	1SCA022775R1200	5	0.31

O_SO91_

O_ST91_

O_SO101_

O_ST101_

O_SO111_

O_ST111_

O_ST121_

Packing sizes for 10 pcs: OM 130 x 100 x 120 [mm]
ON, OL40 250 x 100 x 110 [mm]

CamLine

Rotary cam switches

Ordering details

Motor control switches

Black handle and front plate with position indication are included.
The type and the ordering number are for one piece.

Step angle 60°

Function	Number of poles	Rated thermal current I _{th} [A]	Motor rating AC23/400V [kW]	Type	Order number	Delivery batch [pcs]	Weight/unit [kg]
----------	-----------------	---	-----------------------------	------	--------------	----------------------	------------------

Ventilation switches

Door mounted

A - 0 - 1/2 - 1/1	2	10	3.0	OMST301PB	1SCA022533R4360	10	0.06
	2	25	7.5	ONST301PB	1SCA022533R3120	10	0.11

DIN-rail mounted

A - 0 - 1/2 - 1/1	2	25	7.5	ONST301M	1SCA022533R2150	10	0.11
	2	40	15	OL40ST301PB	1SCA022761R6680	10	0.21

Reversing switches

Door mounted

1 - 0 - 2	2	25	7,5	ONW2PB	1SCA022586R8230	10	0.09
	2	40	15	OL40W2PB	1SCA022757R5550	10	0.15
	2	115	22	OL80W2RB	1SCA022803R1400	1	0.45

1 - 0 - 2	3	25	7.5	ONW3PB	1SCA022553R8790	10	0.10
	3	40	15	OL40W3PB	1SCA022757R5630	10	0.21

Star-delta switches

Door mounted

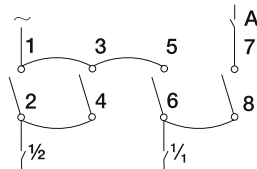
0 - Y - Δ	3	25	7.5	ONSDPB	1SCA022579R1420	10	0.12
	3	40	15	OL40SDPB	1SCA022755R3230	10	0.21
	3	115	45	OL80SDRB	1SCA022791R4940	1	0.67
	3	150	75	OL125SDRB	1SCA022791R5080	1	0.67
	3	175	75	OL160SDRB	1SCA022791R5160	1	0.67
	3	280	75	OL200SDRB	1SCA022791R5240	1	5.30

Pole-change switches (Dahlander)

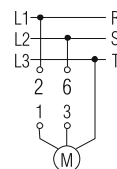
Winding for 2 speeds, one direction, 0 - A - AYY

Door mounted

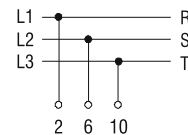
0 - 1 - 2	3	25	7.5	ONP12PB	1SCA022576R6740	10	0.12
	3	40	15	OL40P12PB	1SCA022756R3380	10	0.25
1 - 0 - 2	3	115	45	OL80P012RB	1SCA022791R5410	1	0.67
	3	150	75	OL125P012RB	1SCA022791R5590	1	0.67
	3	175	75	OL160P012RB	1SCA022791R5670	1	0.67
	3	280	75	OL200P012RB	1SCA022791R5750	1	5.30



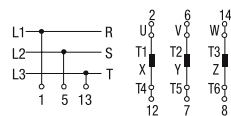
O_ST301



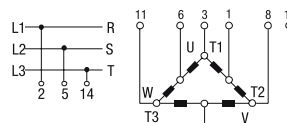
O_W2_



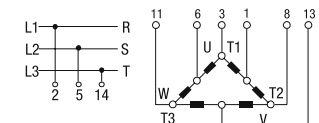
O_W3_



O_SD_, O_SDE_



O_P12_



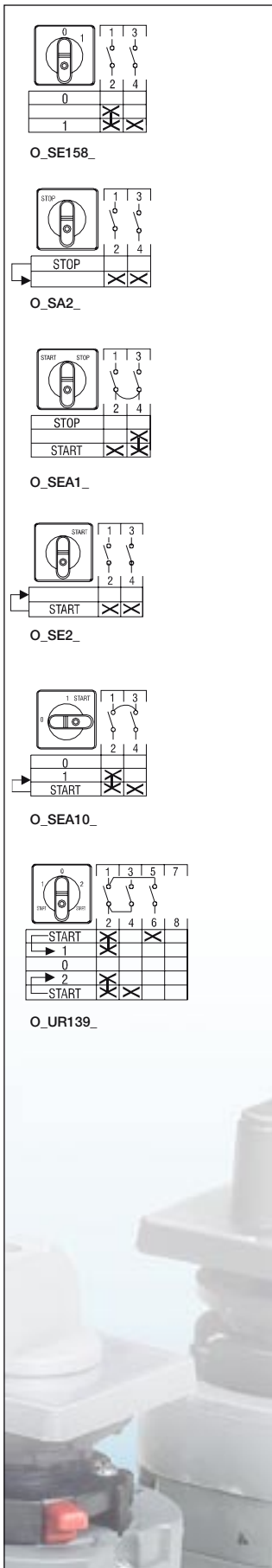
O_P012_

Packing sizes for 10 pcs: OM 130 x 100 x 120 [mm]
ON, OL40 250 x 100 x 110 [mm]

CamLine

Rotary cam switches

Ordering details



Motor control switches

Black handle and front plate with position indication are included.
The type and the ordering number are for one piece.

Function	Number of poles	Rated thermal current I_{th} [A]	Type	Order number	Delivery batch [pcs]	Weight/unit [kg]
----------	-----------------	------------------------------------	------	--------------	----------------------	------------------

Pumpstart switches

Step angle 60°

Door mounted

0 - 1	1	10	OMSE158PB	1SCA022545R4930	10	0.04
	1	25	ONSE158PB	1SCA022534R2540	10	0.09

DIN-rail mounted

0 - 1	1	25	ONSE158M	1SCA022565R5830	10	0.09
-------	---	----	----------	-----------------	----	------

Stop switches

Step angle 30°, with spring return, contacts N.C.

Door mounted

0 _R -Stop	2	10	OMSA2PB	1SCA022531R6380	10	0.04
	2	25	ONSA2PB	1SCA022531R6710	10	0.09

Start switches

Step angle 30°, with spring return.

Door mounted

Stop-Start	1	25	ONSEA1PB	1SCA022605R8610	10	0.04
0 _R -Start	1	10	OMSE2PB	1SCA022531R6460	10	0.04
	1	25	ONSE2PB	1SCA022563R6290	10	0.04

Step angle 90° - 30°

0-1 _R -Start	1	10	OMSEA10PB	1SCA022531R6540	10	0.05
	1	25	ONSEA10PB	1SCA022531R6890	10	0.09
Start-1 _R -0-2 _R -Start	1	25	ONUR139PB	1SCA022531R6970	10	0.09

Step angle 90° - 30°, with spring return

DIN-rail mounted

0-1 _R -Start	1	25	ONSEA10M	1SCA022565R5750	10	0.09
Start-1 _R -0-2 _R -Start	1	25	ONUR139M	1SCA022568R3370	10	0.09

Packing sizes for 10 pcs: OM 130 x 100 x 120 [mm]
ON, OL40 250 x 100 x 110 [mm]

CamLine

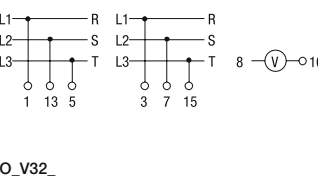
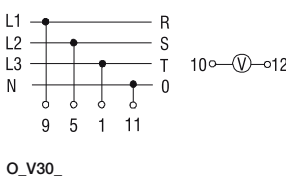
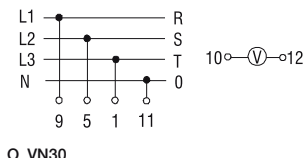
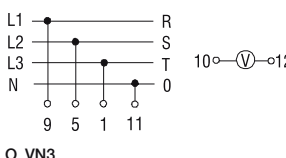
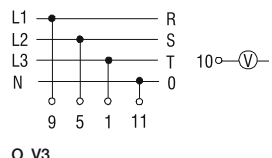
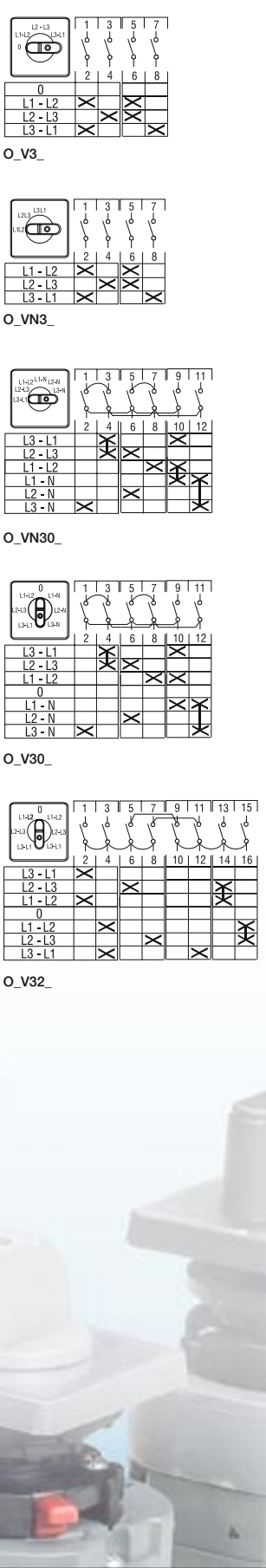
Rotary cam switches

Ordering details

Voltmeter switches

Black handle and front plate with position indication are included.
The type and the ordering number are for one piece.

Function	Number of poles	Rated thermal current I_{th} [A]	Type	Order number	Delivery batch [pcs]	Weight/unit [kg]
3 Positions, 3 phase -3 wire, without 0-position, step angle 45°						
Door mounted						
L1-L2, L2-L3, L3-L1	2	10	OMVN3PB	1SCA022558R4470	10	0.06
	2	25	ONVN3PB	1SCA022558R4630	10	0.11
DIN-rail mounted						
L1-L2, L2-L3, L3-L1	2	25	ONVN3M	1SCA022558R4800	10	0.11
4 Positions, 3 phase -3 wire, with 0-position, step angle 45°						
Door mounted						
0, L1-L2, L2-L3, L3-L1	2	10	OMV3PB	1SCA022533R5250	10	0.06
	2	25	ONV3PB	1SCA022533R5680	10	0.11
DIN-rail mounted						
0, L1-L2, L2-L3, L3-L1	2	25	ONV3M	1SCA022549R9280	10	0.11
7 Positions, 3 phase to phase 3 phase to neutral, without 0-position, step angle 30°						
Door mounted						
L1-L3, L2-L3, L1-L2,	3	10	OMVN30PB	1SCA022533R5330	10	0.08
L1-N, L2-N, L3-N	3	25	ONVN30PB	1SCA022533R5760	10	0.12
DIN-rail mounted						
L1-L3, L2-L3, L1-L2,	3	25	ONVN30M	1SCA022549R9010	10	0.12
L1-N, L2-N, L3-N						
7 Positions, 3 phase to phase 3 phase to neutral, with 0-position, step angle 45°						
Door mounted						
L1-L3, L2-L3, L1-L2,	3	10	OMV30PB	1SCA022533R5170	10	0.12
0, L1-N, L2-N, L3-N	3	25	ONV30PB	1SCA022533R5500	10	0.12
DIN-rail mounted						
L1-L3, L2-L3, L1-L2,	3	25	ONV30M	1SCA022549R9100	10	0.12
0, L1-N, L2-N, L3-N						
7 Positions, 3 phase to phase voltages for 2 circuits, with 0 position, step angle 45°						
Door mounted						
L1-L3, L2-L3, L1-L2,	4	10	OMV32PB	1SCA022549R7740	10	0.14
0, L1-L3, L2-L3, L1-L2	4	25	ONV32PB	1SCA022549R7820	10	0.14



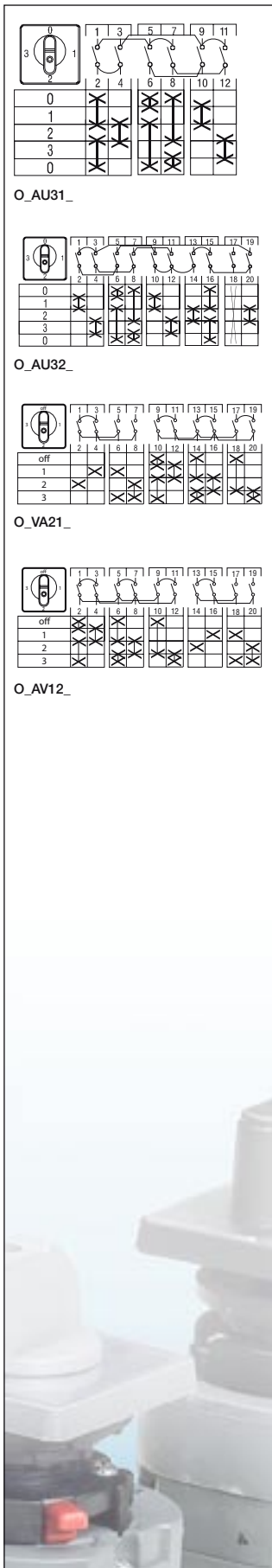
Packing sizes for 10 pcs:	OM	130 x 100 x 120 [mm]
	ON, OL40	250 x 100 x 110 [mm]



CamLine

Rotary cam switches

Ordering details



Ammeter switches

Black handle and front plate with position indication are included.
The type and the ordering number are for one piece.

Function	Rated thermal current I_{th} [A]	Type	Order number	Delivery batch [pcs]	Weight/unit [kg]
----------	------------------------------------	------	--------------	----------------------	------------------

For 3 current transformer circuits, with 0-position, step angle 90°

Door mounted

Single pole

0 - 1 - 2 - 3	10	OMAU31PB	1SCA022533R5410	10	0.12
	25	ONAU31PB	1SCA022533R5840	10	0.12

2 pole or direct measurement in 3 phases

0 - 1 - 2 - 3	25	ONAU32PB	1SCA022558R4210	10	0.15
---------------	----	----------	-----------------	----	------

DIN-rail mounted

Single pole

0 - 1 - 2 - 3	25	ONAU31M	1SCA022549R9360	10	0.12
---------------	----	---------	-----------------	----	------

Volt-ammeter switches

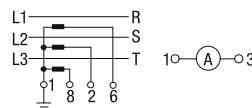
Black handle and frontplate with position indication are included.
The type and the ordering number are for one piece.

Function	Rated thermal current I_{th} [A]	Type	Order number	Delivery batch [pcs]	Weight [kg]
----------	------------------------------------	------	--------------	----------------------	-------------

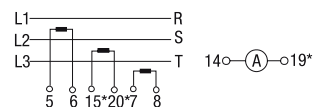
Measuring between phases and 3 current transformers with common pole, step angle 90°

Door mounted

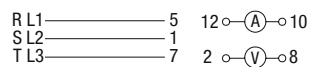
OFF - 1 - 2 - 3	25	ONVA21PB	1SCA022803R4170	10	0.17
	25	ONAV12PB	1SCA022803R4250	10	0.17



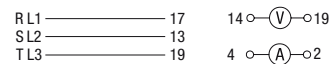
O_AU31_



O_AU32_



O_VA21_



O_AV12_

Packing sizes for 10 pcs: OM 130 x 100 x 120 [mm]
ON, OL40 250 x 100 x 110 [mm]

CamLine

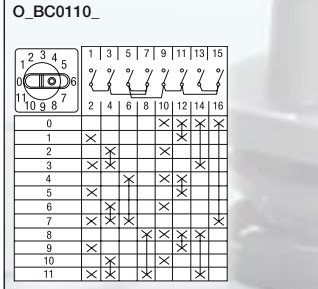
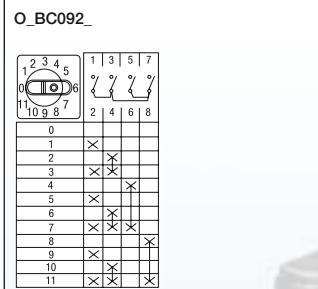
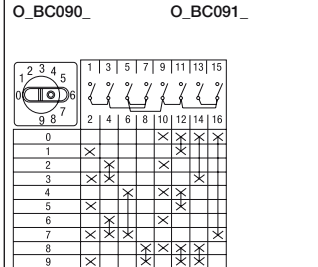
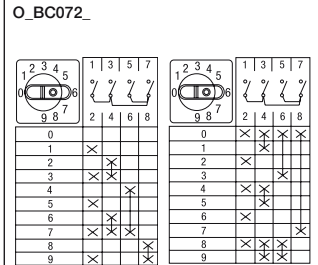
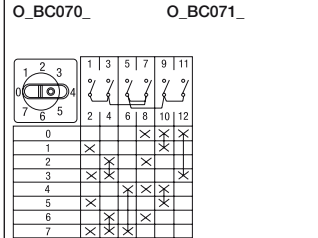
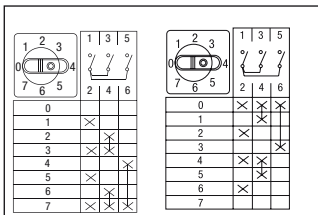
Rotary cam switches

Ordering details

Binarycode switches

Black handle and front plate with position indication are included.
The type and the ordering number are for one piece.

Function	Number of poles	Rated thermal current I_{th} [A]	Type	Order number	Delivery batch [pcs]	Weight/unit [kg]
With 0-position, step angle 30°						
Door mounted						
0-1-2-3-4-5-6-7	1	25	ONBC070PB	1SCA022803R3360	10	0.05
	1	25	ONBC071PB	1SCA022803R3440	10	0.05
	2	25	ONBC072PB	1SCA022803R3520	10	0.13
0-1-2-3-4-5-6-7-8-9	1	25	ONBC090PB	1SCA022803R3610	10	0.05
	1	25	ONBC091PB	1SCA022803R3790	10	0.05
	2	25	ONBC092PB	1SCA022803R3870	10	0.14
0-1-2-3-4-5-6-7-8-9-10-11	1	25	ONBC0110PB	1SCA022803R3950	10	0.05
	2	25	ONBC0112PB	1SCA022803R4090	10	0.14



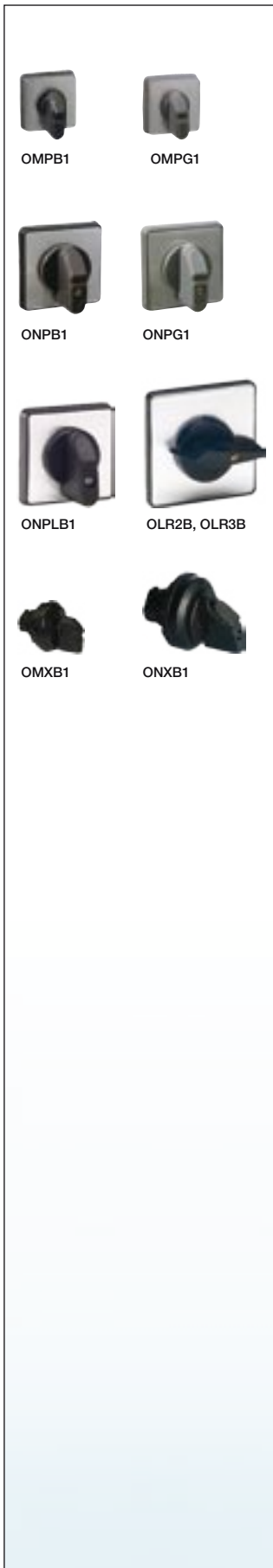
Packing sizes for 10 pcs:	OM	130 x 100 x 120 [mm]
	ON, OL40	250 x 100 x 110 [mm]



CamLine

Accessories

Ordering details



Handles

The type and the ordering number are for one piece.

Colour	For cam switches	Type	Oder Number	Delivery batch [pcs]	Weight/unit [kg]
Snap on handle with front plate without engraving (The black handle is standard delivery in types OM, ON, and OL40)					
Size 30x30					
Black	OM	OMPB1	1SCA022553R7470	5	0.05
Gray	OM	OMPG1	1SCA022553R8010	5	0.05
Red	OM	OMPR1	1SCA022796R2830	5	0.05
Red-yellow	OM	OMPRY1	1SCA022796R2910	5	0.05
Size 48x48					
Black	ON_PB, OL40	ONPB1	1SCA022553R7550	5	0.08
Gray	ON_PB, OL40	ONPG1	1SCA022553R7630	5	0.08
Red	ON_PB, OL40	ONPR1	1SCA022796R3050	5	0.08
Red-yellow	ON_PB, OL40	ONPRY1	1SCA022796R3130	5	0.08
Snap on handle with large front plate without engraving					
Size 64x64					
Black	ON_PB, OL40	ONPLB1	1SCA022776R5680	5	0.10
Gray	ON_PB, OL40	ONPLG1	1SCA022776R5760	5	0.10
Red	ON_PB, OL40	ONPLR1	1SCA022776R5840	5	0.10
Red-yellow	ON_PB, OL40	ONPLRY1	1SCA022796R3130	5	0.10
Screw mounting handle with front plate without engraving (The black handle is standard delivery in types OL 80...200)					
Size 90x90					
Black	OL80, OL125, OL160	OLR2B	1SCA022796R3720	10	0.10
Gray	OL80, OL125, OL160	OLR2G	1SCA022796R3810	10	0.10
Red	OL80, OL125, OL160	OLR2R	1SCA022796R3990	10	0.10
Size 130x130					
Black	OL200	OLR3B	1SCA022796R4110	10	0.10
Gray	OL200	OLR3G	1SCA022796R4290	10	0.10
Red	OL200	OLR3R	1SCA022796R4370	10	0.10
Snap on handle with round escutcheon plate					
Black	OM	OMXB1	1SCA022629R7270	5	0.02
Black, nose-type	OM	OMXNB1	1SCA022577R9810	5	0.02
Black	ON_PB, OL40	ONXB1	1SCA022629R7350	5	0.02

More cam switches with padlockable handles can be configured on Internet by the Camweb configurator tool.

CamLine

Accessories

Ordering details



Optional handles

The type and the ordering number are for one piece.

Colour	For cam switches	Type	Oder Number	Delivery batch [pcs]	Weight/ unit [kg]
Hand grip handle, screw mounting					
Black		OLHSD1	1SCA022765R2480	1	0.38
Gray		OLHGD1	1SCA022765R2560	1	0.38
Red		OLHRD1	1SCA022765R2640	1	0.38
Ball grip handle, screw mounting					
Black		OLISD1	1SCA022820R3380	1	0.25
Gray		OLIGD1	1SCA022820R3460	1	0.25
Red		OLIRD1	1SCA022820R3540	1	0.25
Pistol type handle, screw mounting					
Black	OL80, OL125, OL160	OLZ2RB	1SCA022796R4530	10	0.10
Red	OL80, OL125, OL160	OLZ2RR	1SCA022796R4610	10	0.10
Black	OL200	OLZ3RB	1SCA022796R4700	10	0.2
Red	OL200	OLZ3RR	1SCA022796R4880	10	0.2
Double lever handle, screw mounting					
Black	OL200	OLZ3DB	1SCA022796R4960	1	0.3
Red	OL200	OLZ3DR	1SCA022796R5000	1	0.3
Padlockable handle knob, without front plate					
The standard handle knob is replaced by the padlockable handle knob. For max 2 padlocks of 6 mm hasp diameter. Standard padlocking in the OFF-position at 9 o'clock. Padlocking in the ON-position (12 o'clock) by turning the control piece 180 degrees. Padlocking in both OFF-and ON-positions by removing a precut in the yellow control piece.					
Black	ON_PB, ON_M, OL40	ONZ20B	1SCA022621R1810	5	0.06
Red-yellow	ON_PB, ON_M, OL40	ONZ20RY	1SCA022621R1900	5	0.06
Round padlockable handle for srew mounting on door					
For max 3 padlocks with max 8 mm hasp diameter, locking position 9 o'clock (O, OFF). Locking positions 12 o'clock (1, ON) or when switch rotated. More locking possibilities with programmable square handle type _ 5 _ can be specified by the camweb tool.					
Size 64x64, shaft size 6 mm					
Black	ON_PB, OL40	ONZ331PB	1SCA022794R7520	10	0.035
Red-yellow	ON_PB, OL40	ONZ331PRY	1SCA022794R7610	10	0.035
Size 90x90, shaft size 8 mm					
Black	OL80, OL125, OL160	OLZ332RB	1SCA022794R7790	10	0.10
Red-yellow	OL80, OL125, OL160	OLZ332RRY	1SCA022794R7870	10	0.10

More cam switches with padlockable handles can be configurated on Internet by the Camweb configurator tool.

CamLine

Accessories

Ordering details



Front plates

The type and the ordering number are for one piece.

Colour	For cam switches/ handle size	Type	Order Number	Delivery batch [pcs]	Weight/ unit [kg]
Front plates, without engraving					
Size 30x30					
Silver	OM/OMP_1	OMF101	1SCA022540R4590	10	0.003
Yellow	OM/OMPR41	OMFY101	1SCA022796R3210	10	0.003
Size 48x48					
Silver	ON_PB, OL 40/ONP_1	ONF101	1SCA022540R6290	10	0.003
Yellow	ON_PB, OL 40/ONPRY1	ONFY101	1SCA022716R4250	10	0.003
Size 64x64					
Silver	ONPL_1	OLF64	1SCA022798R6260	10	0.003
Yellow	ONPLR41	OLF464	1SCA022798R6340	10	0.003
Size 90x90					
Silver	OL80, OL125, OL160/OLR2_	OLF90	1SCA022796R5180	10	0.01
Yellow	OL80, OL125, OL160/OLR2_	OLFY90	1SCA022796R5260	10	0.01
Size 130x130					
Silver	OL200/OLR3_	OLF130	1SCA022796R5420	10	0.01
Yellow	OL200/OLR3_	OLFY130	1SCA022796R5340	10	0.01
Size H=45mm, W=54mm					
Grey	ON_M	ONFM 101	1SCA022553R8520	10	0.01

Additional lettering plates

Without engraving, black engraving from front side available.

Size 30x30					
Black frame	OM	OMFB72	1SCA022555R4990	5	0.01
Grey frame	OM	OMFG72	1SCA022556R1850	5	0.01
Size 48x48					
Black frame	ON_PB, OL 40	ONFB72	1SCA022555R5020	5	0.01
Grey frame	ON_PB, OL 40	ONFG72	1SCA022556R1930	5	0.01
Size 64x64					
Black frame	ON_PB, OL 40	OLFB64	1SCA022796R3300	10	0.01
Grey frame	ON_PB, OL 40	OLFG64	1SCA022796R3480	10	0.01

Front ring

Black	OM	OMX99	1SCA022553R8100	10	0.01
Black	ON_PB, OL40	ONX99	1SCA022553R7710	10	0.01

Shaft sealing

To prevent dust and moisture penetrating along the switch shaft when no handle is installed. Protection to IP 65 from the front. Door drilling 16...17 mm.

For cam switches	Type	Order Number	Delivery batch [pcs]	Weight [kg]
ON, OL40	ONZ11	1SCA022807R0300	10	0.01
OL 80...160	OLZ12	1SCA022807R0560	10	0.01

CamLine

Accessories

Ordering details



OMK95 ONK95



ONZ10L_



OMNX80



ONX30

ONZ37



ONZ74_



ONZ45P
ONZ65_

Other accessories

The type and the ordering number are for one piece.

Spare key

Number of keys included	For cam switches	Type	Order number	Delivery batch [pcs]	Weight/unit [kg]
2 pcs	OM	OMK95	1SCA022553R8360	2	0.01
3 pcs	ON, OL40	ONK95	1SCA022553R7980	2	0.01

Protective rear cover

Transparent, IP 42 protection

Number of chambers	Number of contacts	For cam switches	Type	Order number	Delivery batch [pcs]	Weight/unit [kg]
1-2	2-4	ON	ONZ10L2	1SCA022621R1570	1	0.02
3-4	6-8	ON	ONZ10L4	1SCA022621R1650	1	0.04
5-6	10-12	ON	ONZ10L6	1SCA022621R1730	1	0.06
2		OL40	OLZ401L2	1SCA022805R9910	1	
4		OL40	OLZ401L4	1SCA022806R0090	1	
6		OL40	OLZ401L6	1SCA022806R0170	1	
2		OL80...160	OLZ1601L2	1SCA022806R0250	1	
4		OL80...160	OLZ1601L4	1SCA022806R0330	1	
6		OL80...160	OLZ1601L6	1SCA022806R0410	1	

Nut spanner

for mounting the handle to the door

Colour	For cam switches	Type	Order number	Delivery batch [pcs]	Weight/unit [kg]
Black	OM ON	OMNX80	1SCA022553R8440	1	0.02

Adaptor ring

for fixing the snap-on handles in the 30 mm door drilling.

Black	ON	ONX30	1SCA022643R8510	10	0.01
-------	----	-------	-----------------	----	------

Base mounting kit

Includes base for DIN-rail mounting, shaft adaptor and 200 mm shaft for cutting up to 250 mm panel depth.

Depth [mm]	For cam switches	Type	Order number	Weight/unit [kg]
250	ON	ONZ74	1SCA022757R3510	0.05

DIN-Rail mounting plate

Includes base for DIN-rail mounting.

ON	ONZ37	1SCA022789R8810	1	0.02
----	-------	-----------------	---	------

Door coupling kits for base mounting switches

for snap-on type handle.

ON, OL40	ONZ45P	1SCA022819R5850	1	0.01
----------	--------	-----------------	---	------

for screw mounted handle.

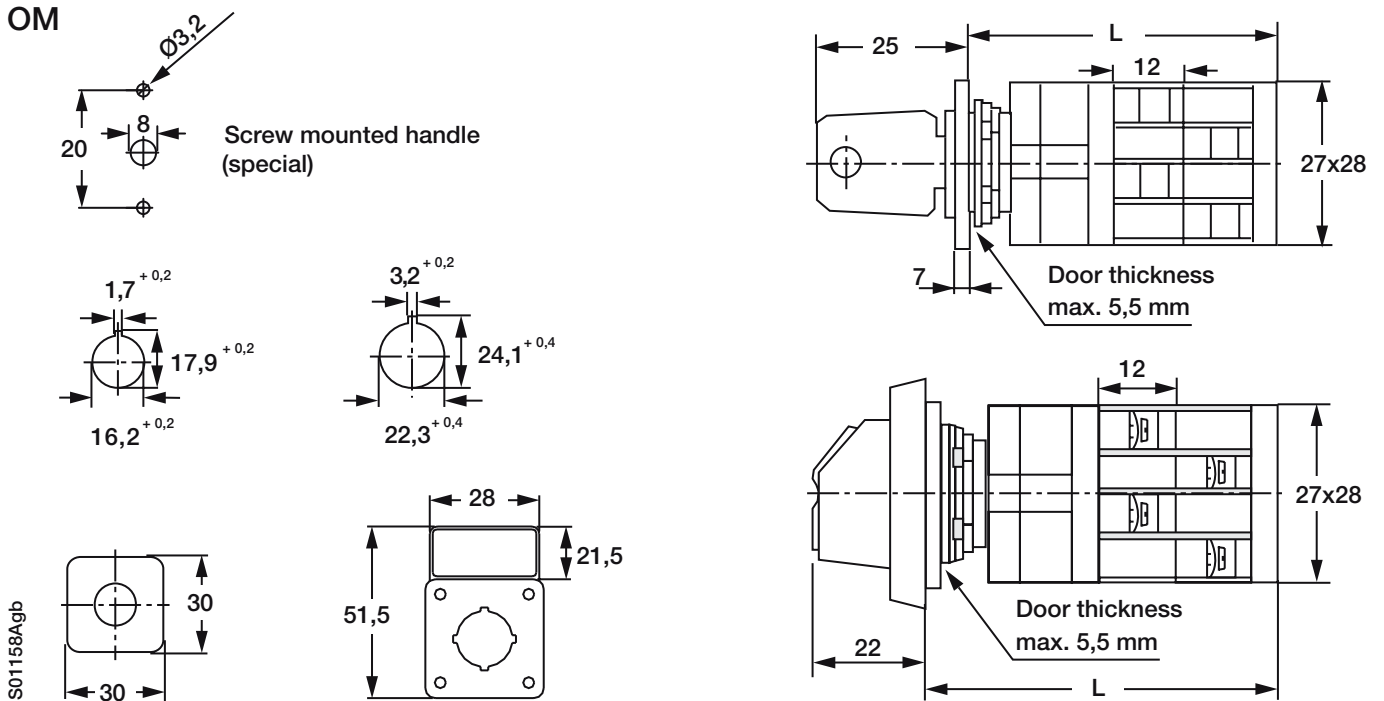
OL80...160	OLZ652	1SCA022819R5930	1	0.02
OL200	OLZ653	1SCA022819R6070	1	0.02

CamLine

Rotary cam switches

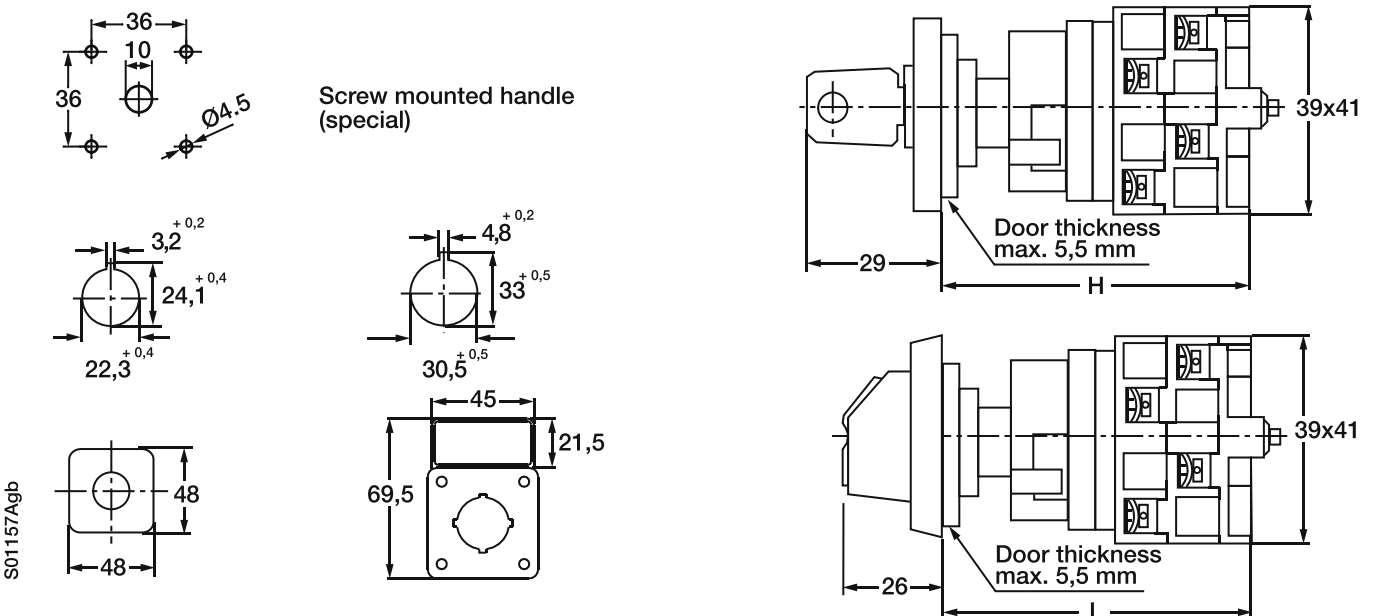
Dimension drawings, OM and ON

OM



		Number of contact chambers							
		1	2	3	4	5	6	7	8
Snap-on mounting (P type)	L	45	57	69	81	90	105	117	129
Screw mounting (R type)	L	33	45	57	69	81	93	105	117

ON



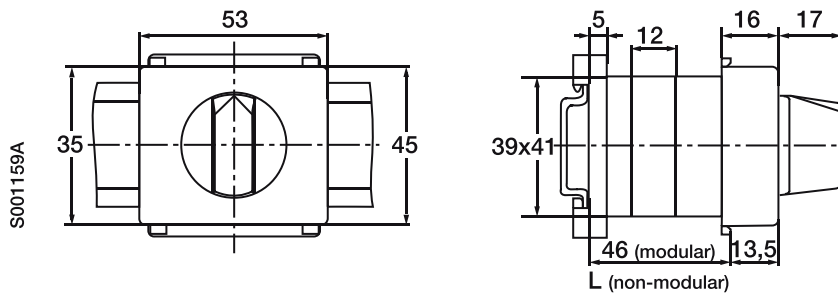
		Number of contact chambers									
		1	2	3	4	5	6	7	8	9	10
Snap-on mounting (P type)	L	54	66	78	90	102	114	126	138	150	162
Screw mounting (R type)	L	34	46	58	70	82	94	106	118	130	142
	H	62	74	86	98	110	122	134	146	159	171

CamLine

Rotary cam switches

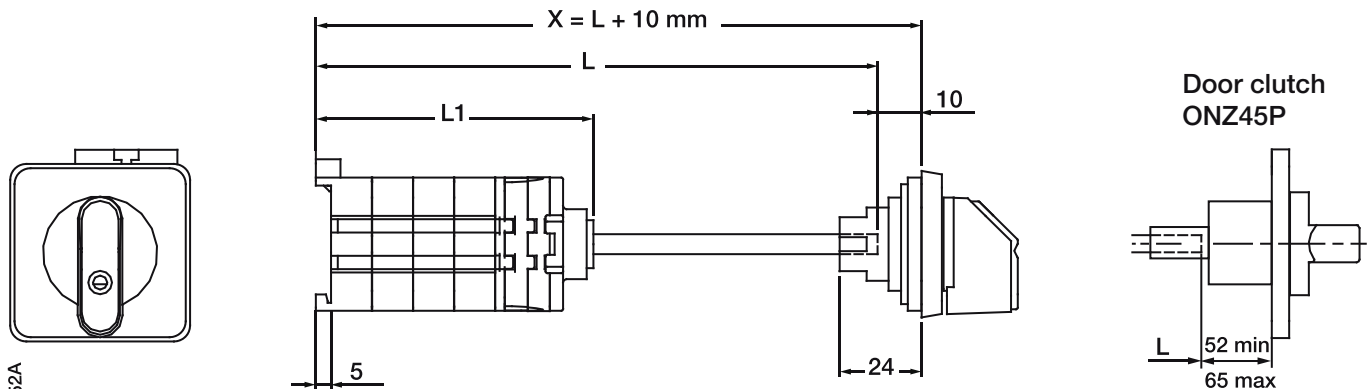
Dimension drawings, ON, OL and ONZ 74

ON_M



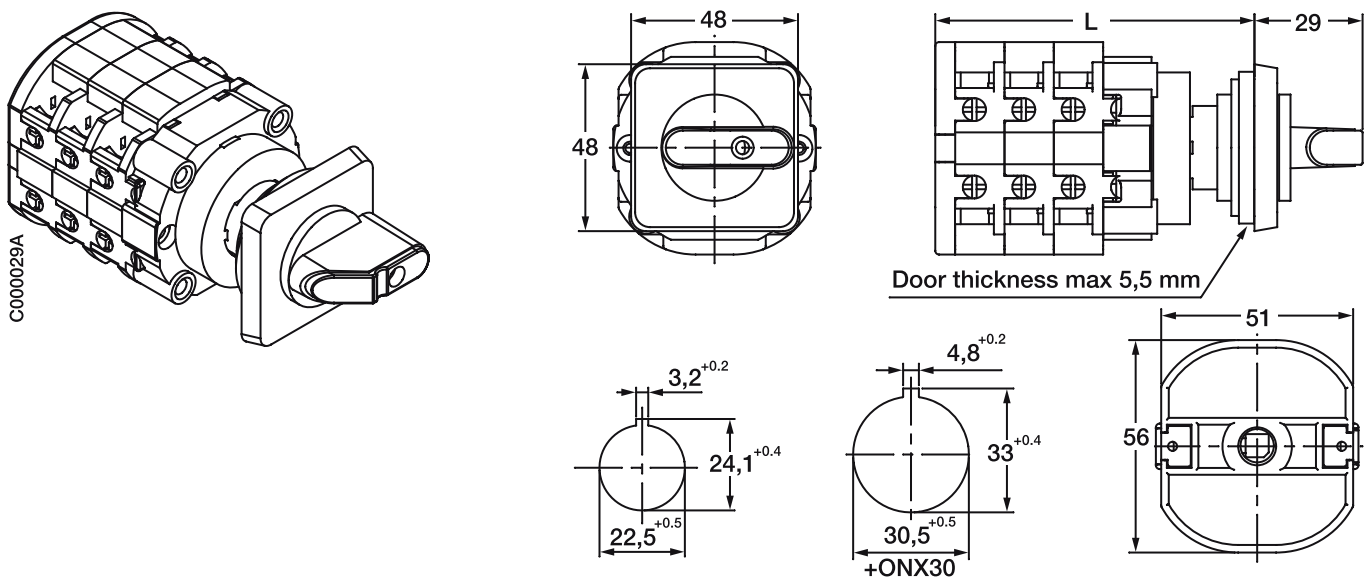
Non-modular: number of contact chambers							
	2	3	4	5	6	7	8
L	58	70	82	94	106	118	130

ON with base mounting, type B to be specified by Camweb configurator



Number of contact chambers/example: Shaft length 200 mm										
	1	2	3	4	5	6	7	8	9	10
L ₁	55	67	79	91	103	115	127	139	151	163
L	345	357	369	381	393	405	417	429	441	453

OL40, door mounted with snap-on mounting handle, type P .



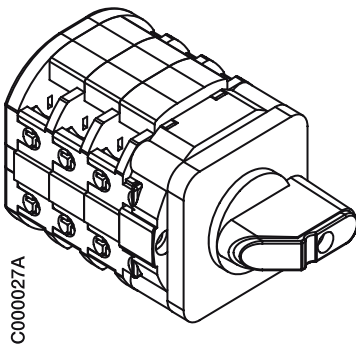
Number of contact chambers										
	1	2	3	4	5	6	7	8	9	10
L	59	72	85	98	111	124	137	150	163	176

CamLine

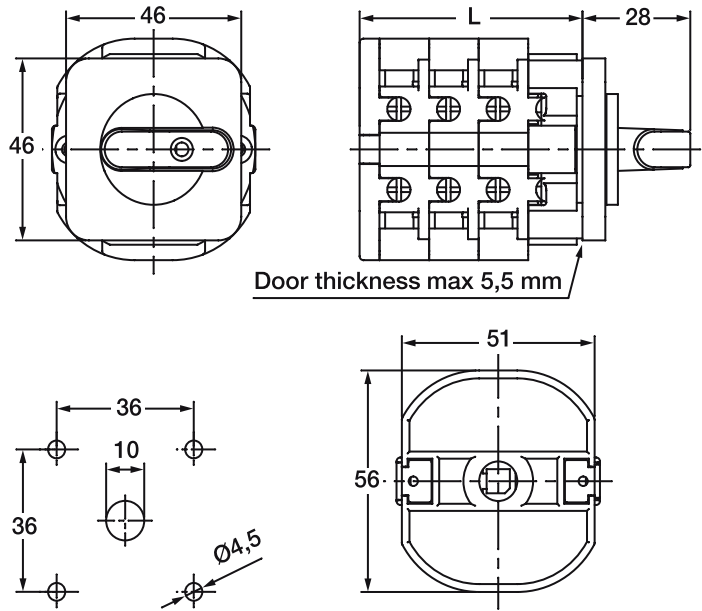
Rotary cam switches

Dimension drawings, OL40

OL40, door mounted with screw mounting handle, front plate size 48x48

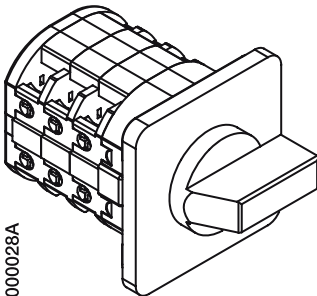


C000027A

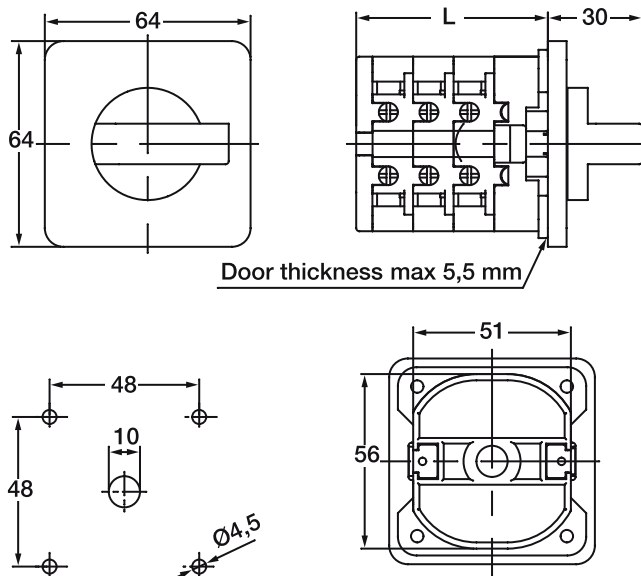


	Number of contact chambers									
	1	2	3	4	5	6	7	8	9	10
L	39	52	65	78	91	104	117	130	143	156

OL40, door mounted with screw mounting handle, front plate size 64x64



C000028A



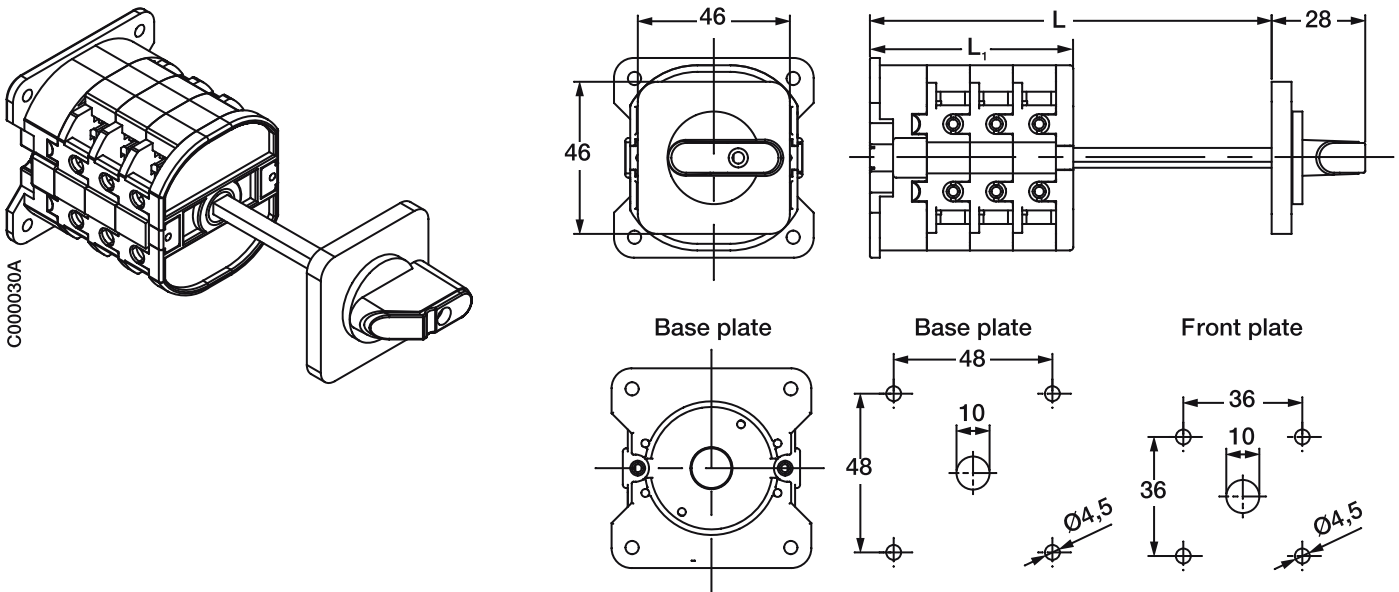
	Number of contact chambers									
	1	2	3	4	5	6	7	8	9	10
L	39	52	65	78	91	104	117	130	143	156

CamLine

Rotary cam switches

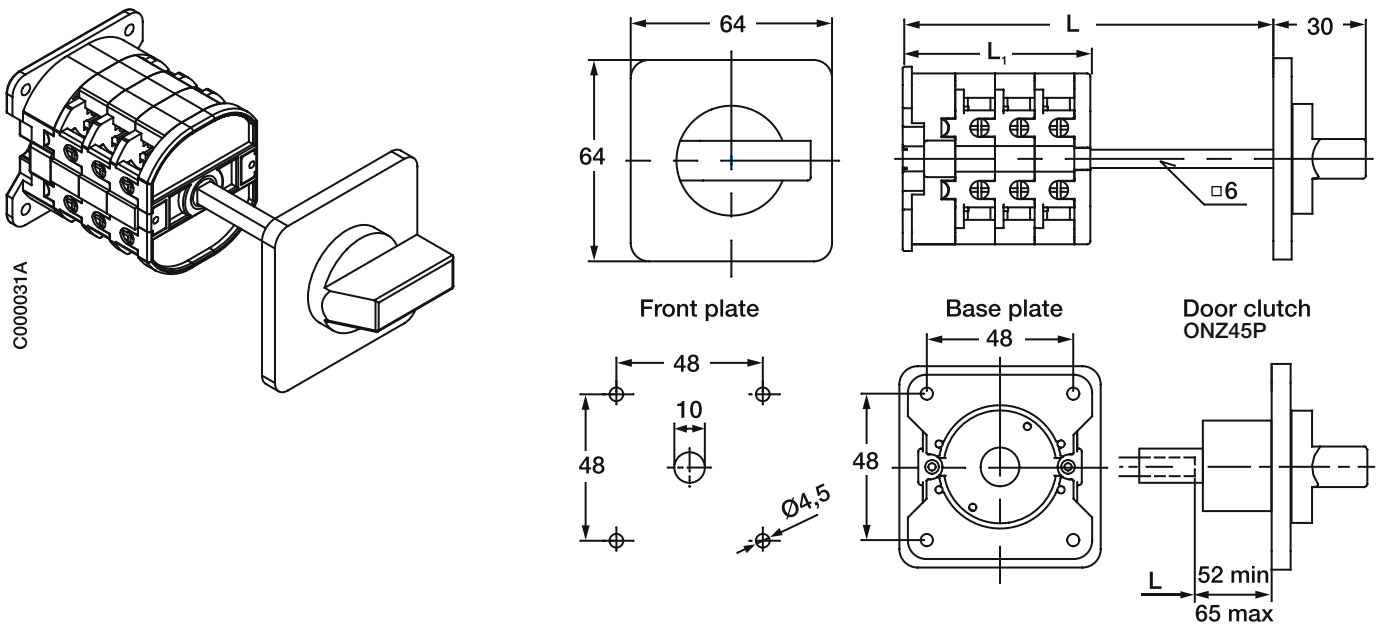
Dimension drawings, OL40

OL40, base mounted, front plate size 48x48 - to be specified by Camweb configurator



	Number of contact chambers/example: shaft length 200 mm									
	1	2	3	4	5	6	7	8	9	10
L_1	37	49	62	75	88	101	114	127	140	153
L	237	249	262	275	288	301	314	327	340	353

OL40, base mounted, front plate size 64x64 - to be specified by Camweb configurator



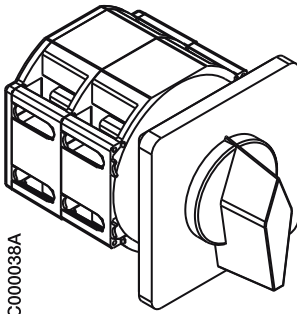
	Number of contact chambers/example: shaft length 200 mm									
	1	2	3	4	5	6	7	8	9	10
L_1	37	49	62	75	88	101	114	127	140	153
L	237	249	262	275	288	301	314	327	340	353

CamLine

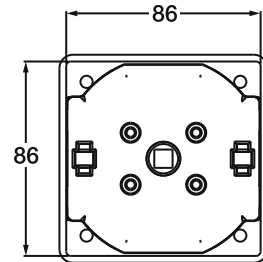
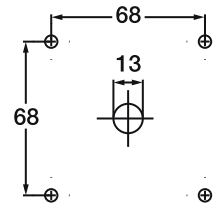
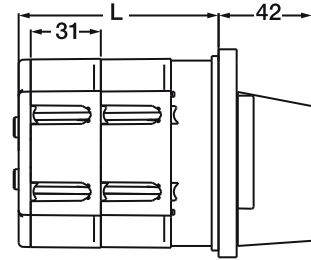
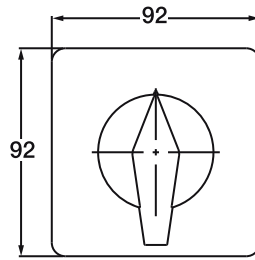
Rotary cam switches

Dimension drawings, OL80, OL125 and OL160

OL80, OL125, OL160 door mounted

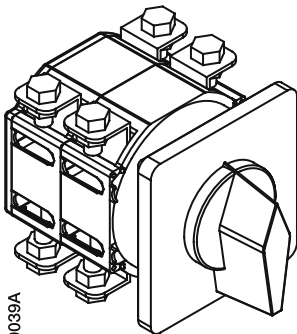


C000038A

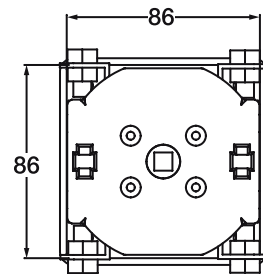
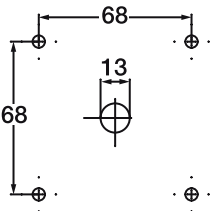
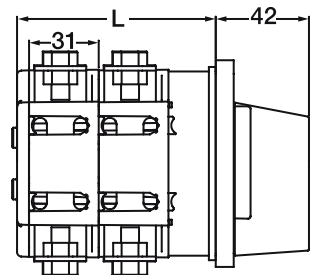
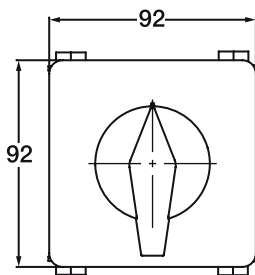


L	Number of contact chambers									
	1	2	3	4	5	6	7	8	9	10
L	66	97	128	159	190	221	252	283	314	345

OL80, OL125, OL160 door mounted, lug terminals - to be specified by Camweb configurator



C000038A



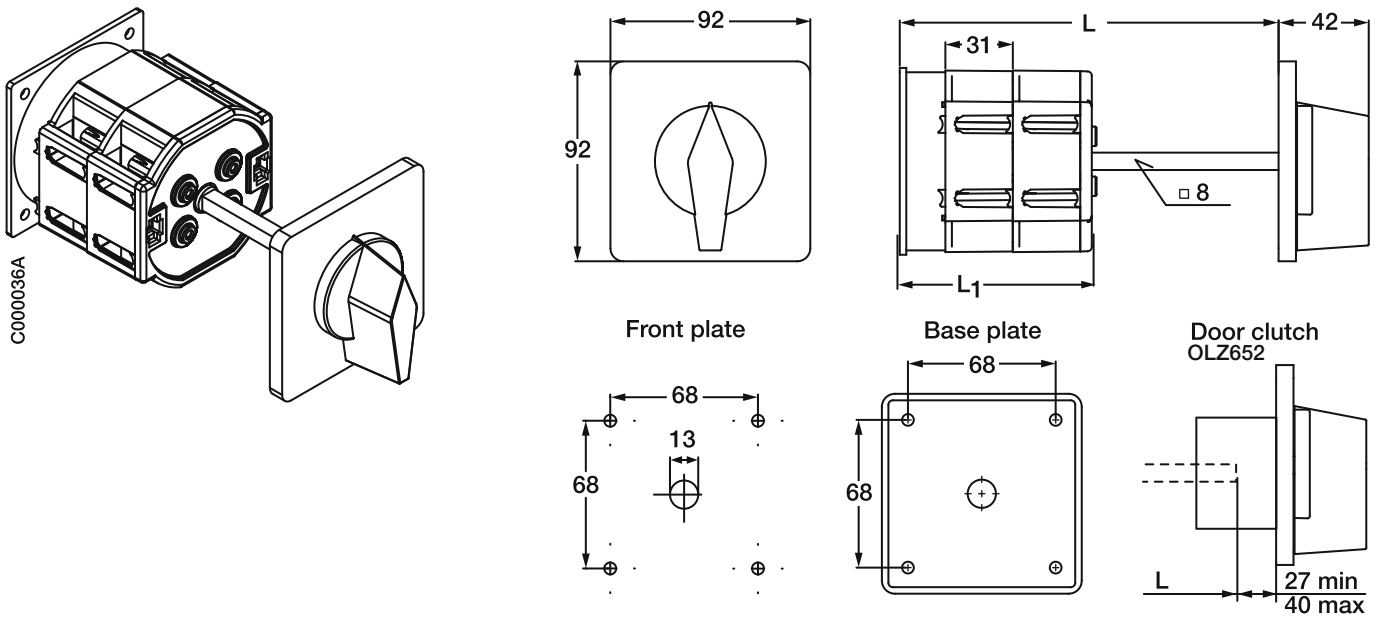
L	Number of contact chambers									
	1	2	3	4	5	6	7	8	9	10
L	66	97	128	159	190	221	252	283	314	345

CamLine

Rotary cam switches

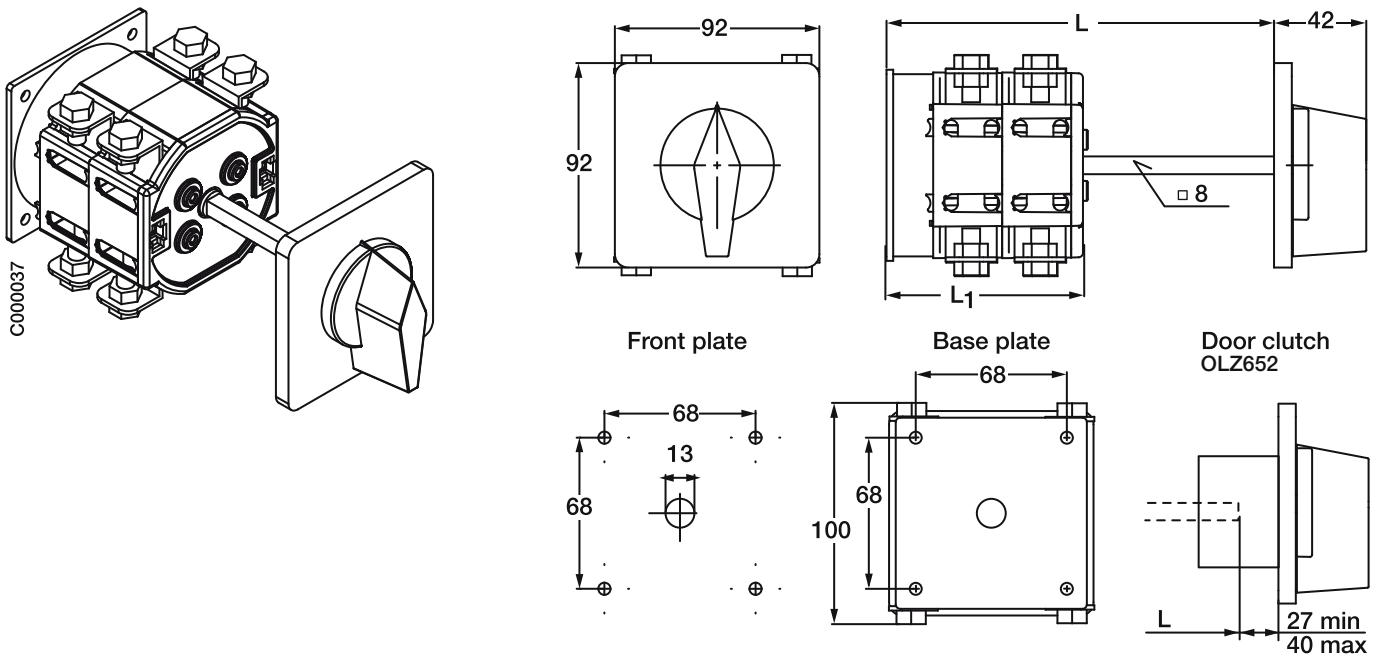
Dimension drawings, OL80, OL125 and OL160

OL80, OL125, OL160 base mounted - to be specified by Camweb configurator



	Number of contact chambers/Shaft length 100 mm									
	1	2	3	4	5	6	7	8	9	10
L_1	65	96	127	158	189	220	251	282	313	344
L	165	196	227	258	289	320	351	382	413	444

OL80, OL125, OL160 base mounted, lug terminals - to be specified by Camweb configurator



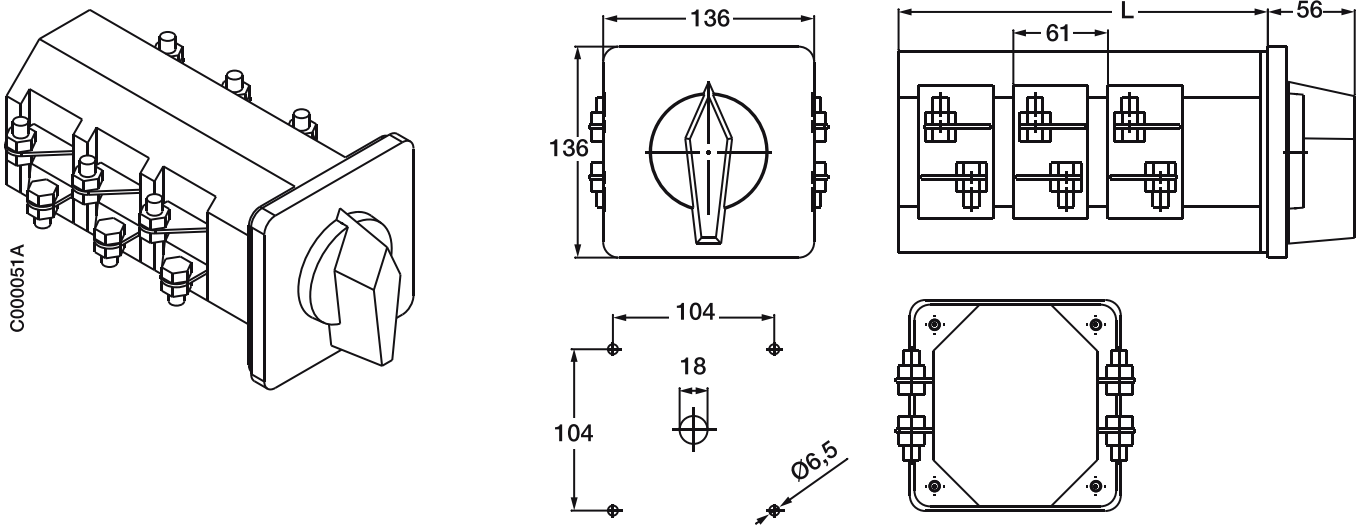
	Number of contact chambers/Shaft length 100 mm									
	1	2	3	4	5	6	7	8	9	10
L_1	65	96	127	158	189	220	251	282	313	344
L	165	196	227	258	289	320	351	382	413	444

CamLine

Rotary cam switches

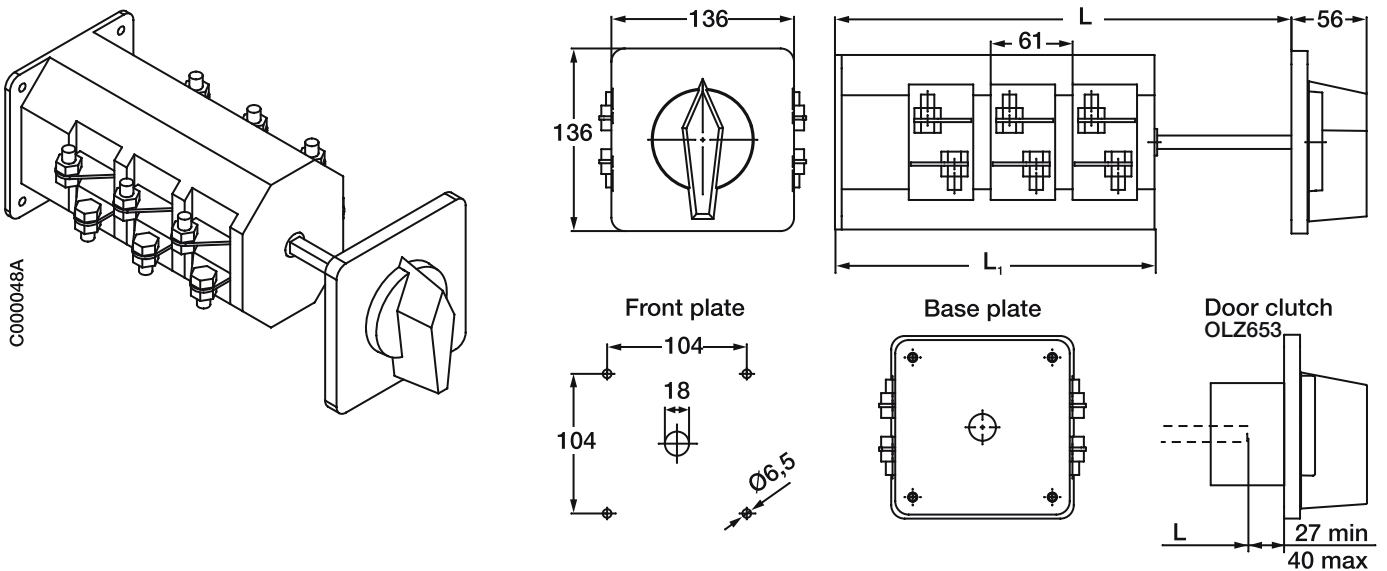
Dimension drawings, OL200

OL200 door mounted



	Number of contact chambers									
	1	2	3	4	5	6	7	8	9	10
L	120	181	242	303	364	425	486	547	608	669

OL200 base mounted - to be specified by Camweb configurator



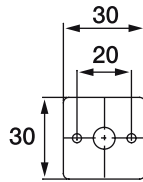
	Number of contact chambers/example: Shaft length 100 mm									
	1	2	3	4	5	6	7	8	9	10
L ₁	120	181	242	303	364	425	486	547	608	669
L	220	281	342	403	464	525	586	647	708	769

CamLine

Rotary cam switches

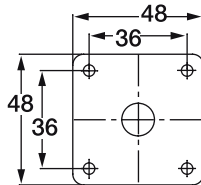
Dimension drawings, front plates

Front plates, sizes and door drillings



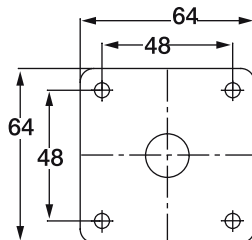
Size 30x30

OM



Size 48x48

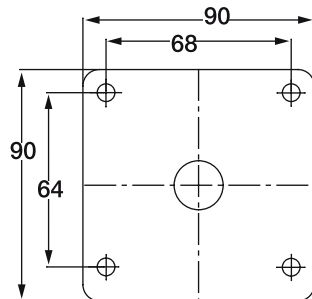
ON



Size 64x64

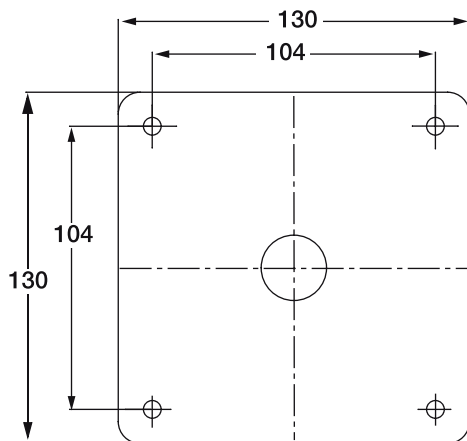
ON

OL 40



Size 90x90

OL 80...160



Size 130x130

OL 200

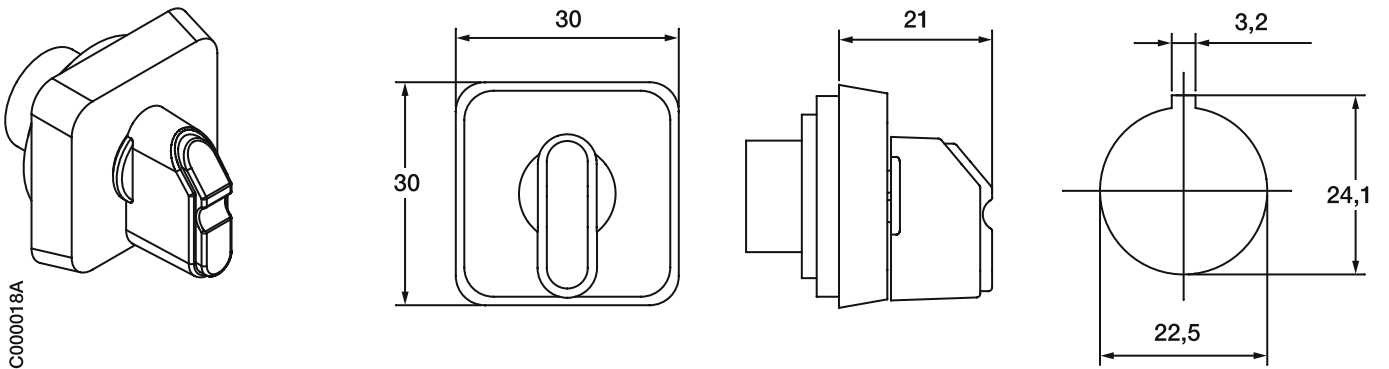
C000033

CamLine

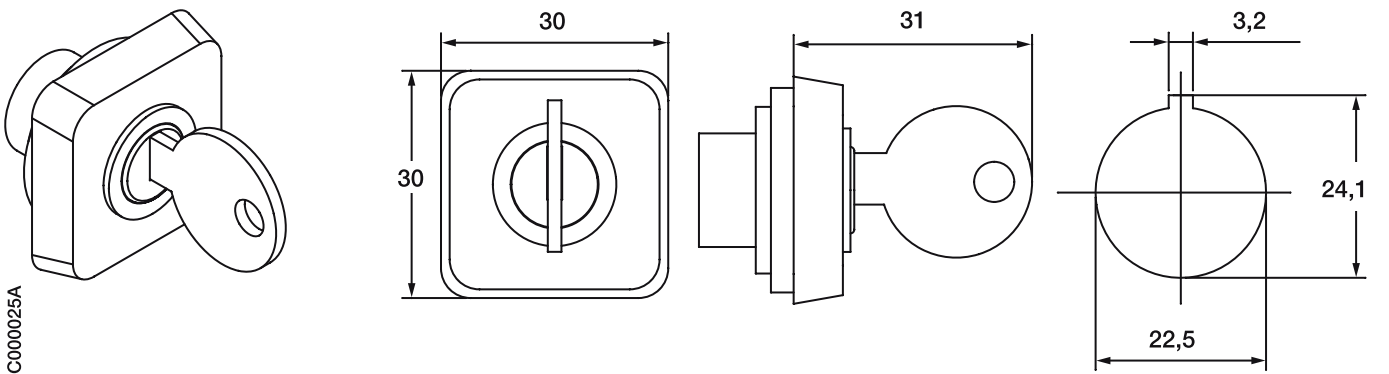
Rotary cam switches

Dimension drawings, handles

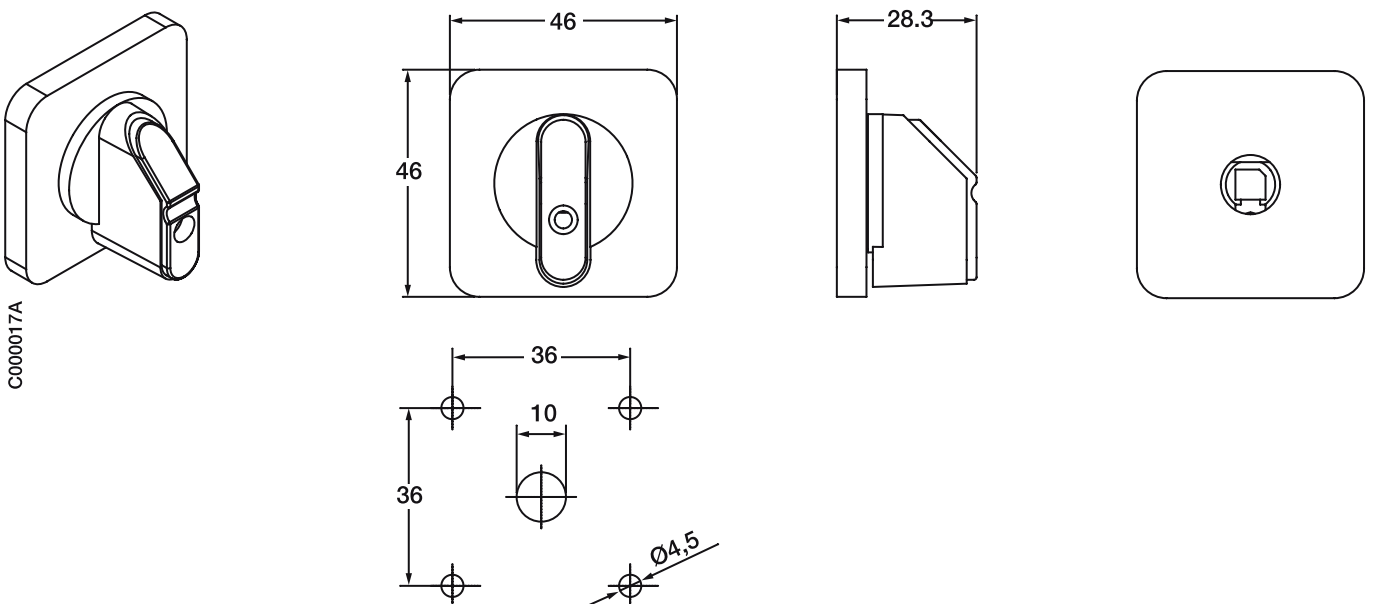
Snap-on handle for OM, type OMP_



Snap-on key operated handle for OM - to be specified by Camweb configurator



Screw mounted handle ON and OL40 - to be specified by Camweb configurator

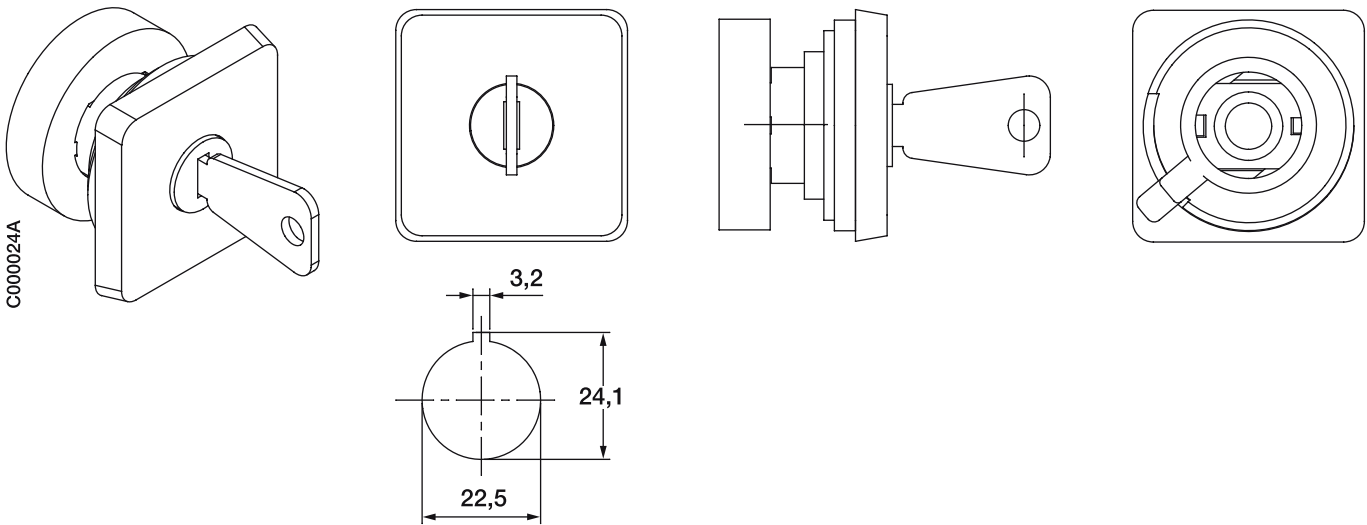


CamLine

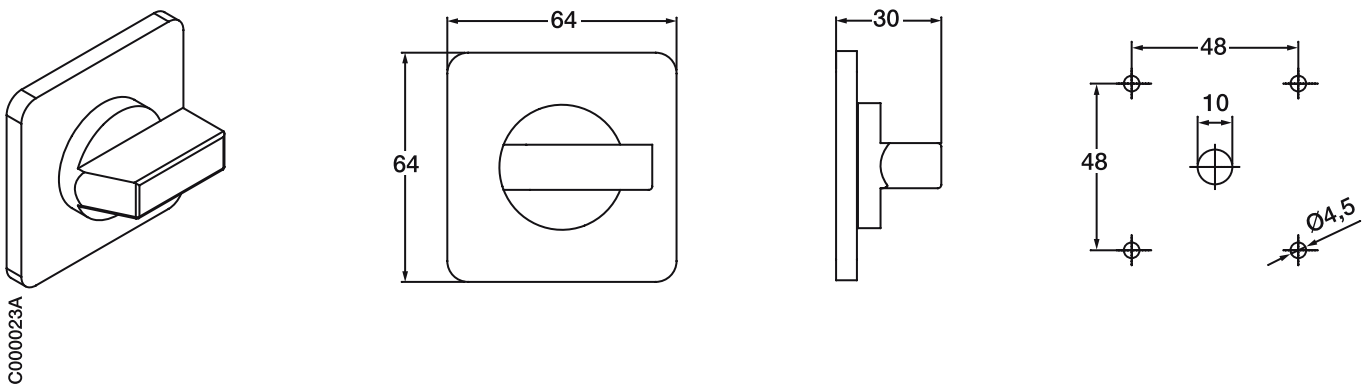
Rotary cam switches

Dimension drawings, handles

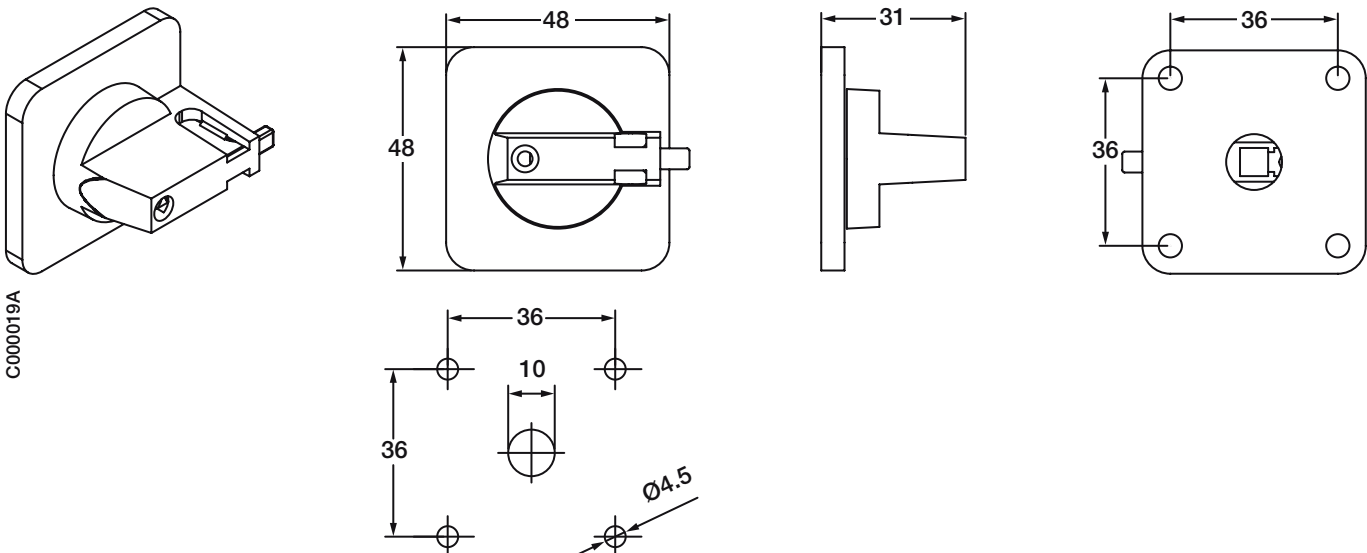
Snap-on key operated handle for ON - to be specified by Camweb configurator



Screw mounted large handle option for ON and OL40, (type _RL_)
- to be specified by Camweb configurator



Padlockable handle knob for ON and OL40, type ONZ20_
(also suitable for 64x64 handle)

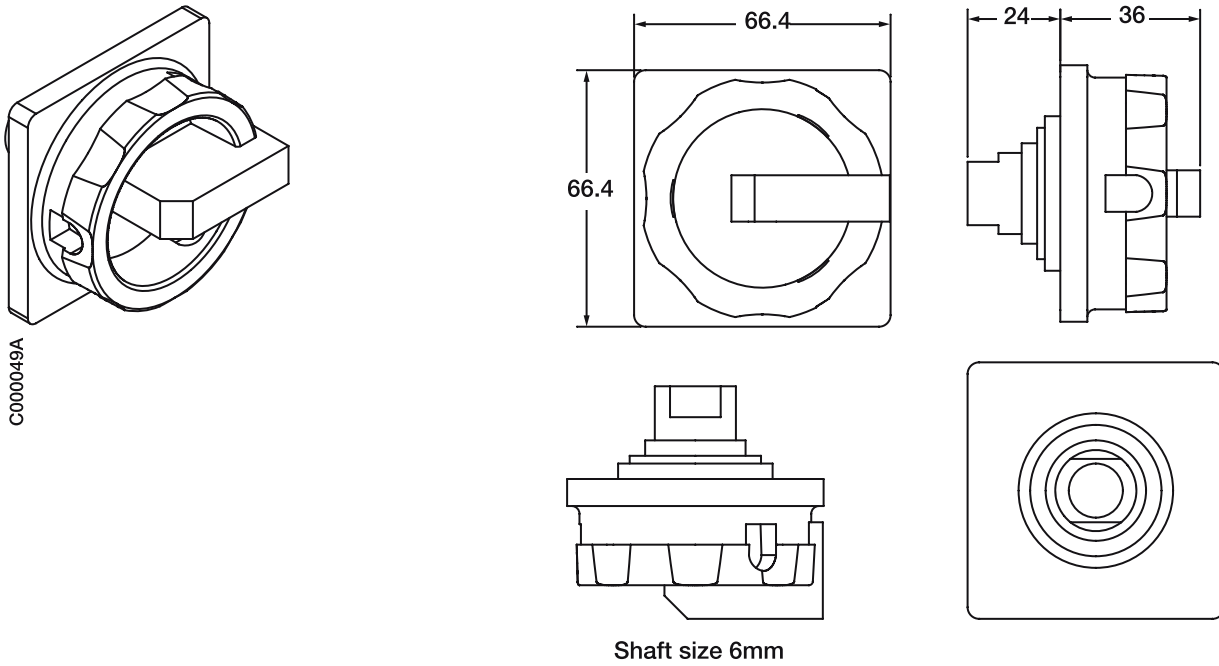


CamLine

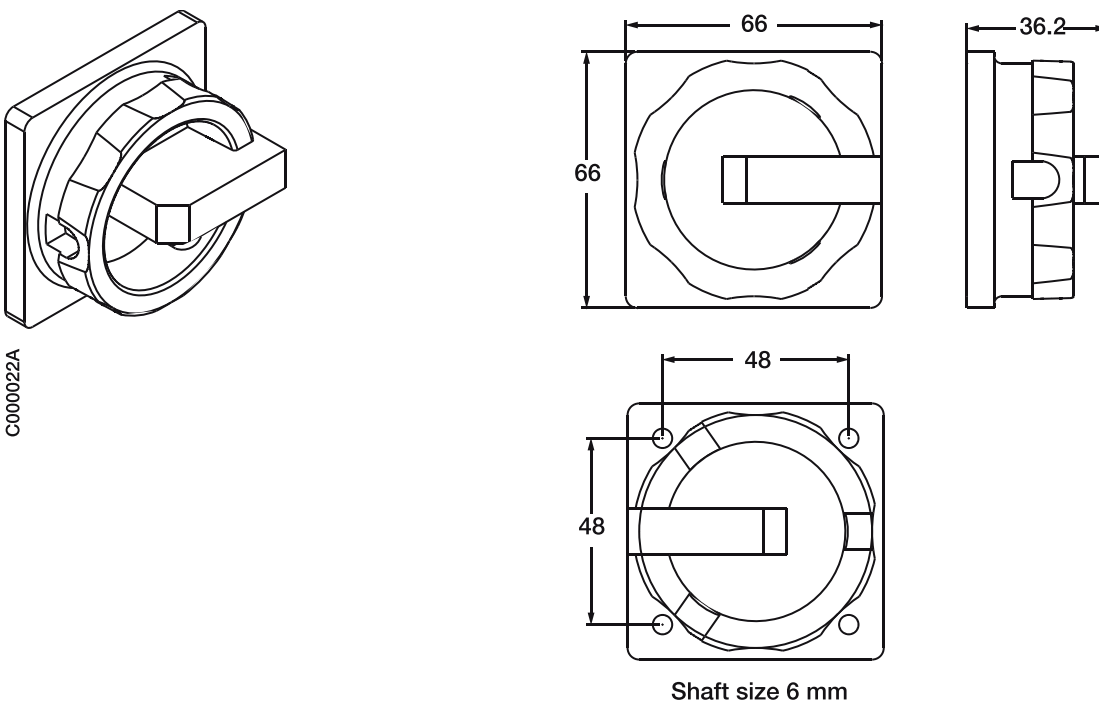
Rotary cam switches

Dimension drawings, handles

Round padlockable snap-on mounted handle for ON and OL40
 - to be specified by Camweb configurator (Type P3)



Round padlockable screw mounted handle for ON and OL40, type ONZ331P_, type _ R3 _



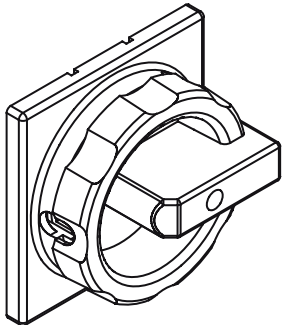
CamLine

Rotary cam switches

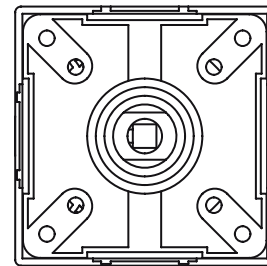
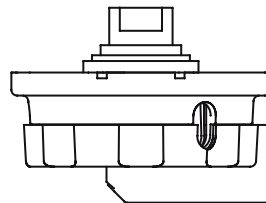
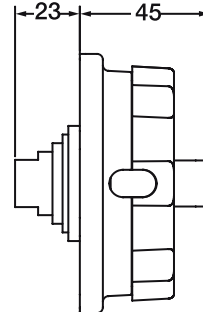
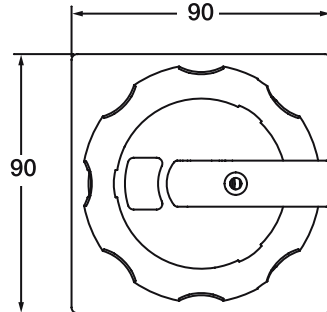
Dimension drawings, handles

Round padlockable snap-on mounted handle for OL80, OL125 and OL160

- to be specified by Camweb configurator (Type P3)

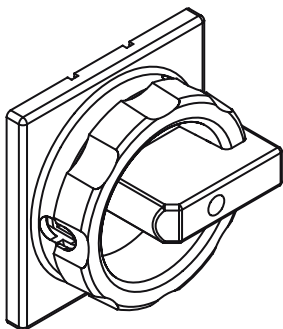


C000050A

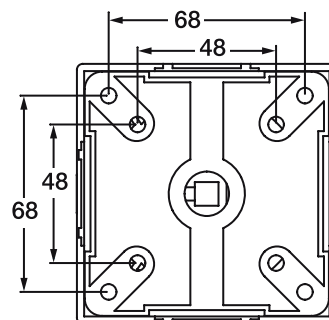
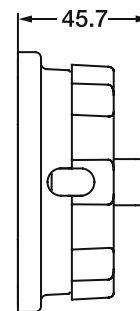
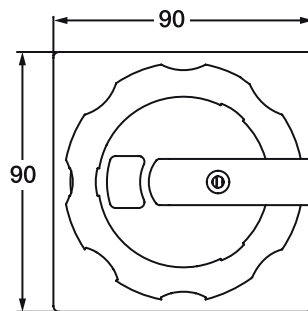


Round padlockable screw mounted handle for OL80, OL125 and OL160, type OLZ332R_

- Type R3 to be specified by the Camweb configurator



C000021A



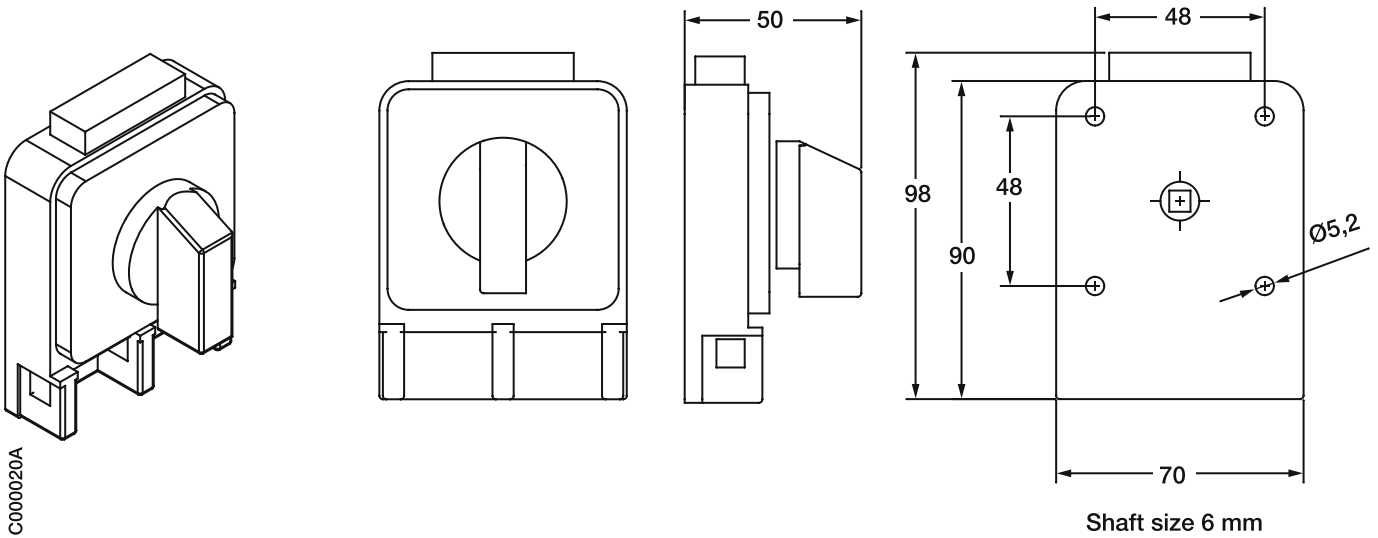
Shaft size 8 mm

CamLine

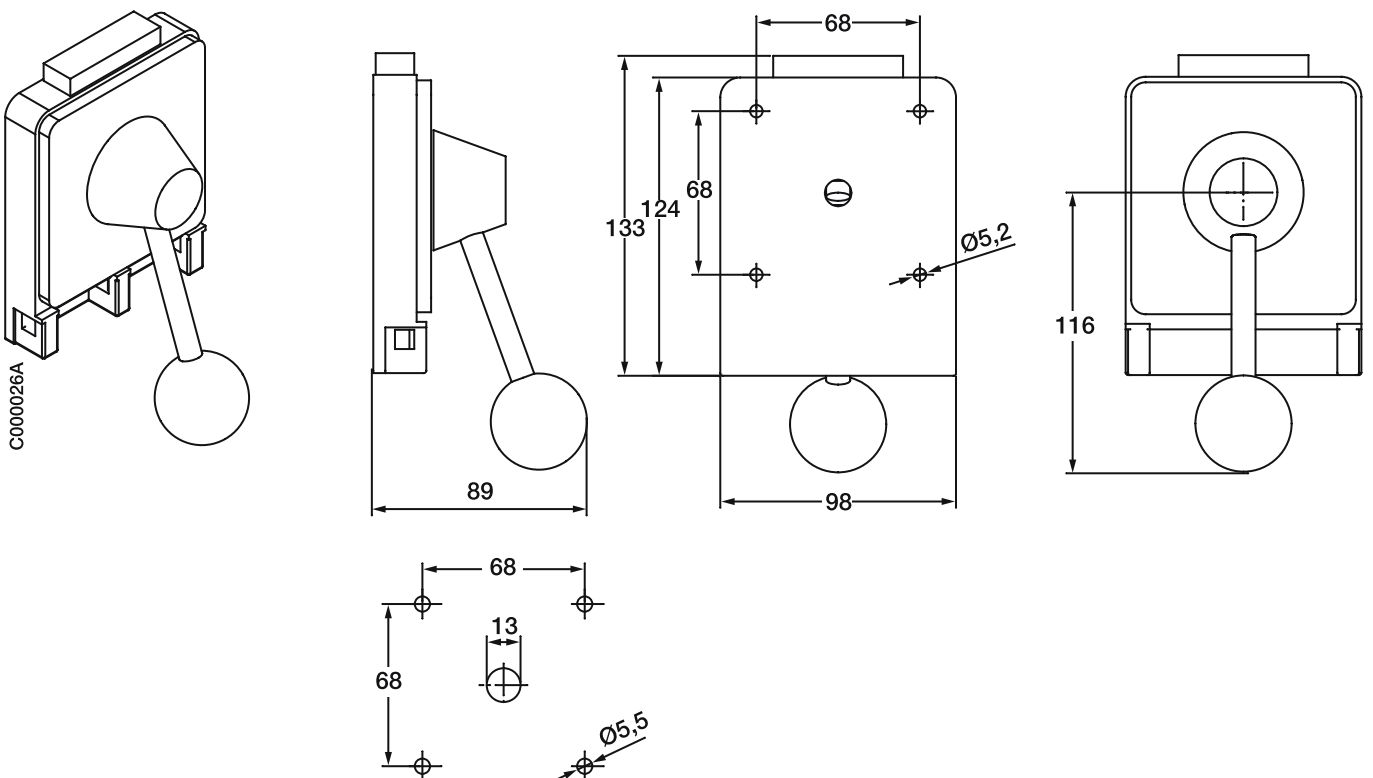
Rotary cam switches

Dimension drawings, handles

Square padlockable handle for ON and OL40 -
to be specified by Camweb configurator (Type R5)



Square padlockable handle for OL80, OL125 and OL160
- to be specified by Camweb configurator (Type R5)



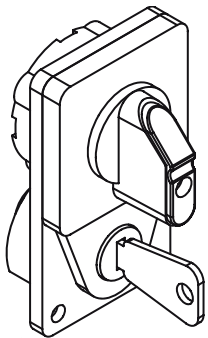
CamLine

Rotary cam switches

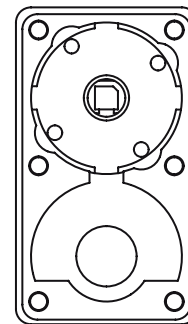
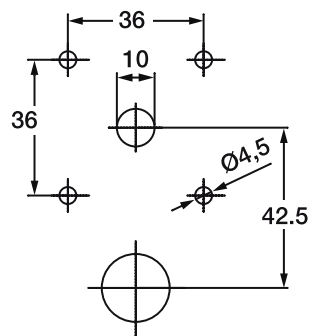
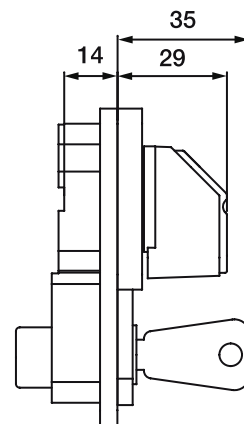
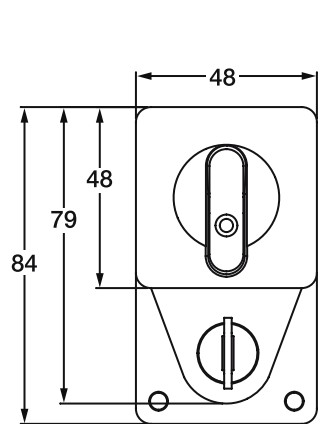
Dimension drawings, handles

Key interlocked handle for ON and OL40, front plate size 48x48

- to be specified by Camweb configurator (Type Q)

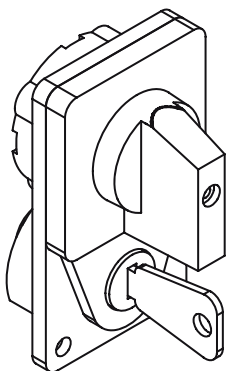


C000016A

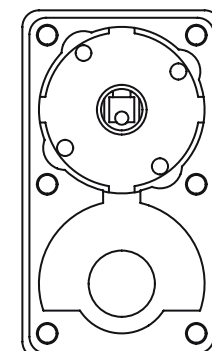
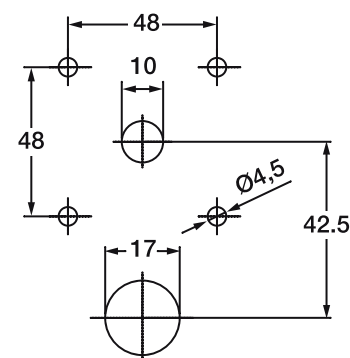
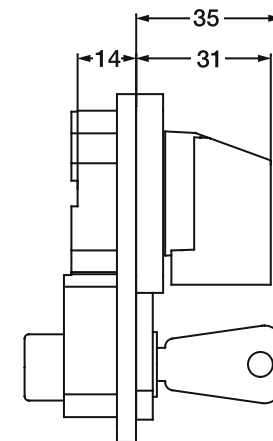
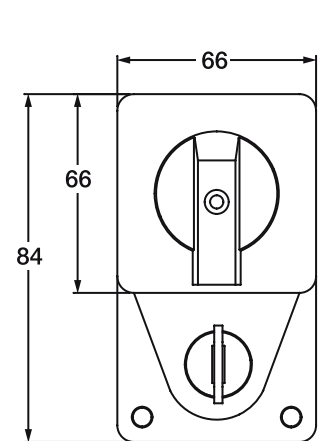


Key interlocked handle for ON and OL40, front plate size 64x64

- to be specified by Camweb configurator (Type Q)



C000040A

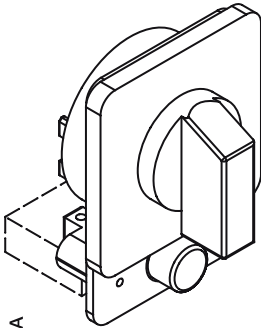


CamLine

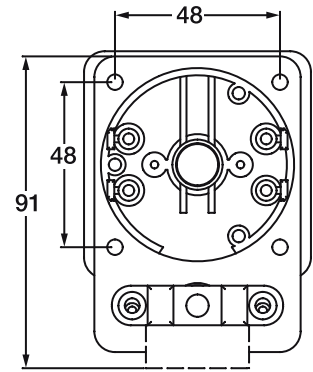
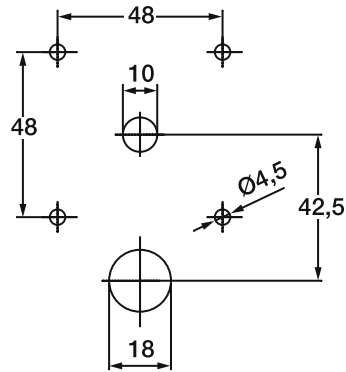
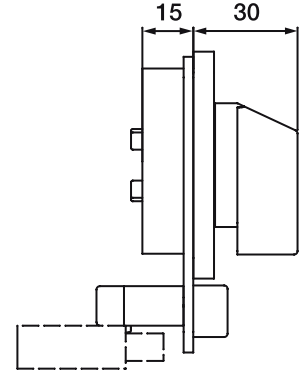
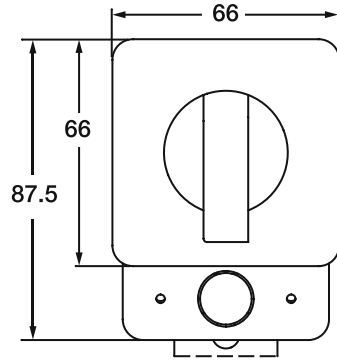
Rotary cam switches

Dimension drawings and handles

Push button interlock handle for ON and OL40 -
to be specified by Camweb configurator (Type U)

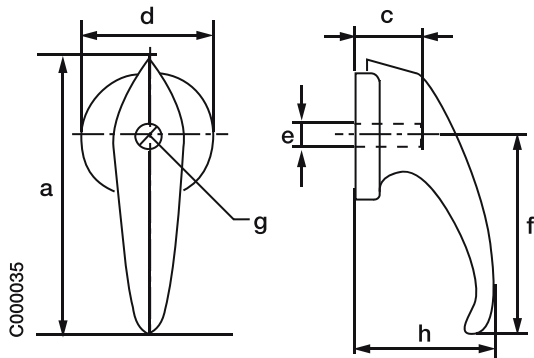


C000015A



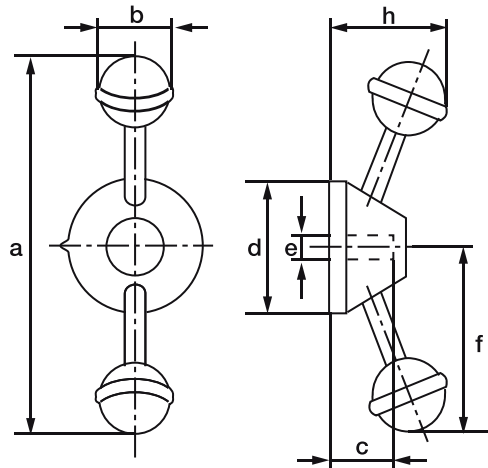
Pistol and double lever handles

OLZ2R_, OLZ2R



C000035

OLZ3D_



	a	b	c	d	e	f	g	h	y
OLZ2R_	112	40	21	50	8 [□]	80	114	50	9
OLZ3R_	141	54	26	77	10 [□]	145	145	66	14
OLZ3D_	252	40	28	77	10 [□]	126	-	56	10

CamLine

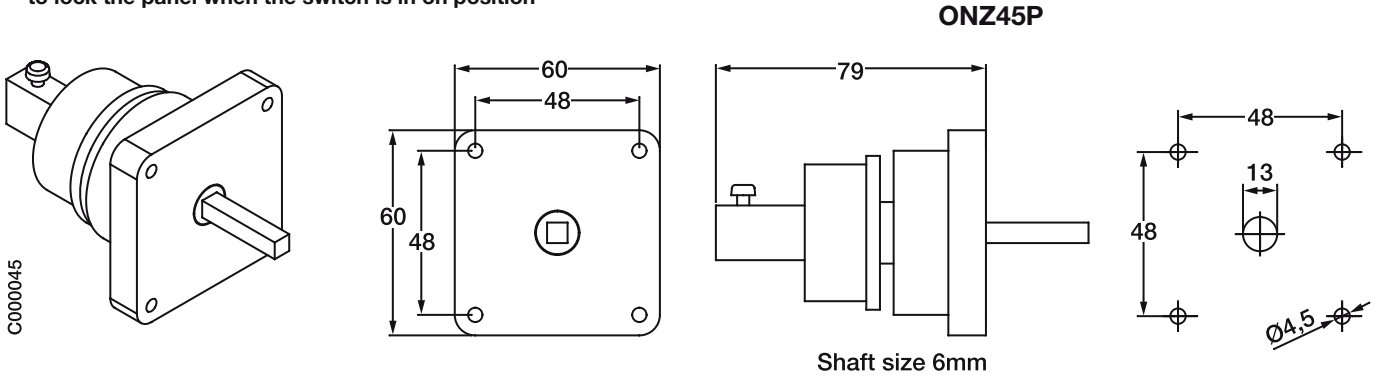
Rotary cam switches

Dimension drawings, door clutch

Door clutch, interlock for hinged door, for ON and OL40, ONZ45P

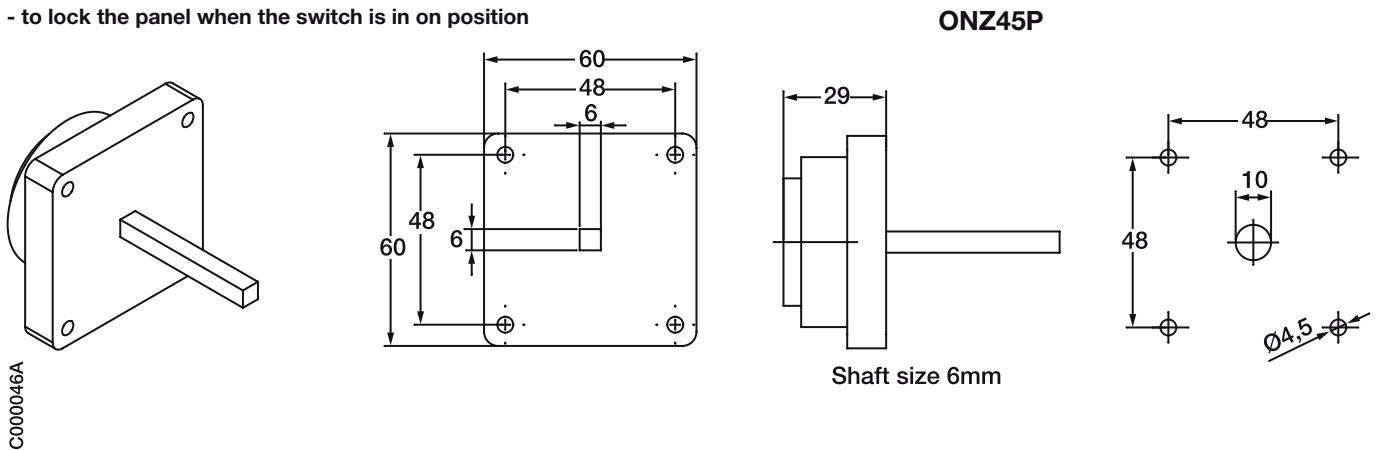
- to be specified by Camweb configurator

- to lock the panel when the switch is in on position



Door clutch, interlock for hinged door, for OL40, ONZ45P - to be specified by Camweb configurator

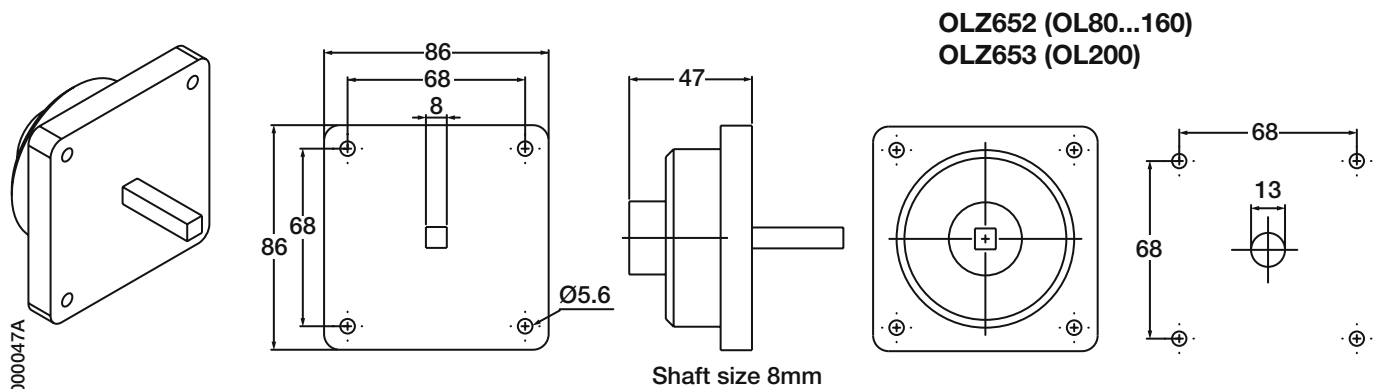
- to lock the panel when the switch is in on position



Door clutch, interlock for hinged door, for OL80, OL125, OL160 (OLZ652) and for OL200 (OLZ653)

- to be specified by Camweb configurator

- to lock the panel when the switch is in on position

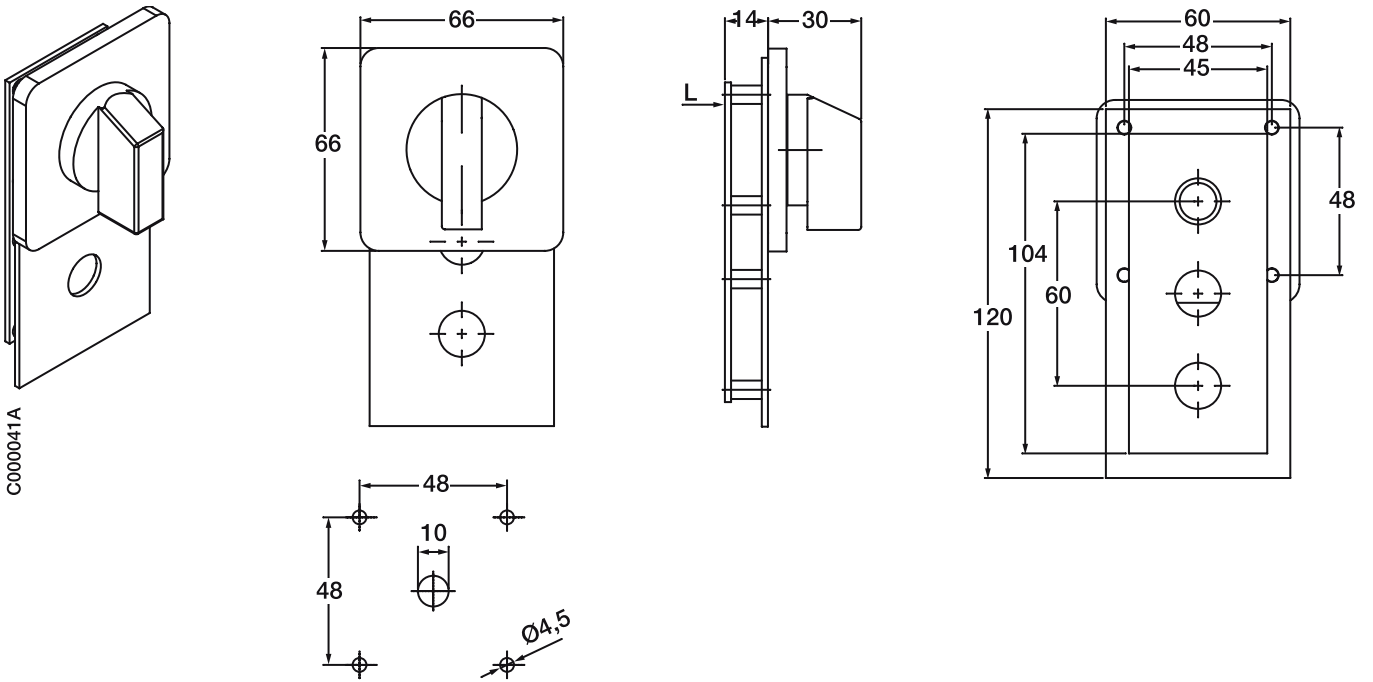


CamLine

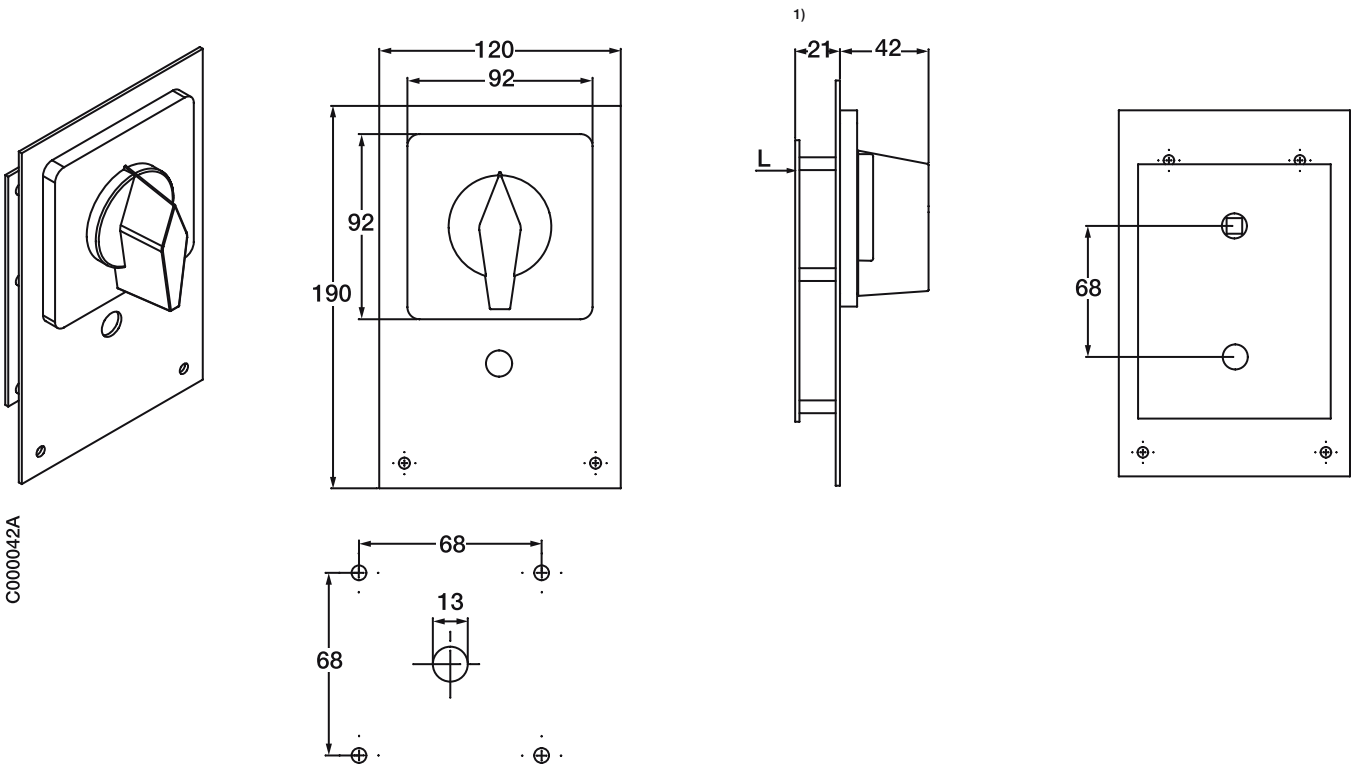
Rotary cam switches

Dimension drawings, double gang

Double gang (Tandem) drive for ON, standard handle
 - to be specified by Camweb configurator



Double gang (Tandem) drive for OL40, standard handle
 - to be specified by Camweb configurator



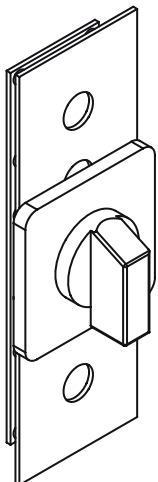
¹⁾ Add the dimension L of the screw mounted cam switch for the total depth.

CamLine

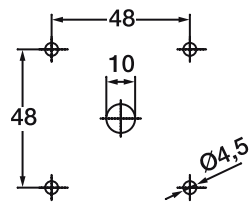
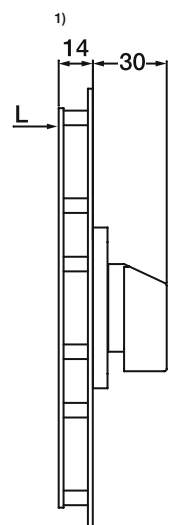
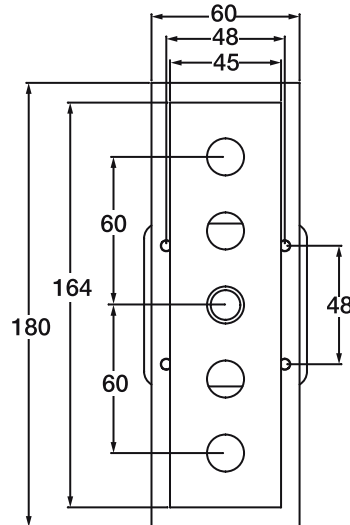
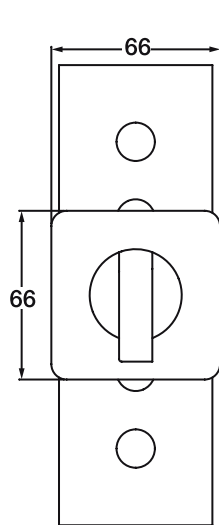
Rotary cam switches

Dimension drawings, triple gang

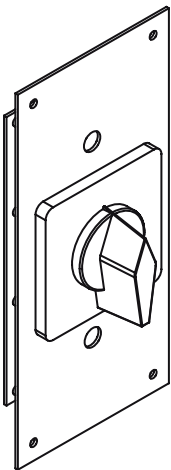
Triple gang drive for ON, standard handle - to be specified by Camweb configurator



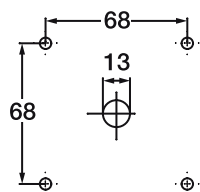
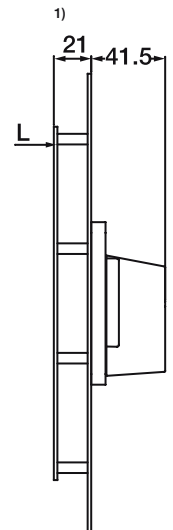
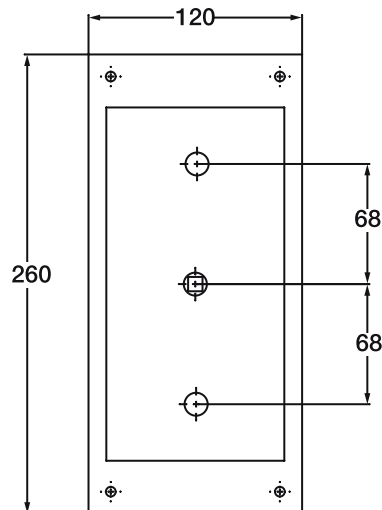
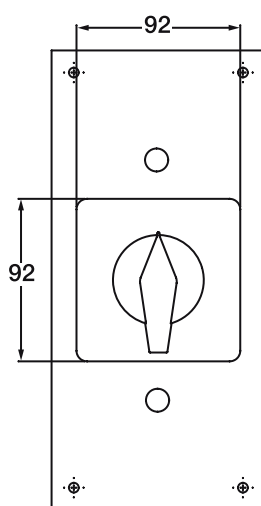
C000043A



Triple gang drive for OL40, standard handle - to be specified by cam web configurator



C000044A



¹⁾ Add the dimension L of the screw mounted cam switch for the total depth.

Notes

CamLine

Enclosed rotary cam switches

ON-OFF switches
Key switches
Change-over switches
Reversing switches
Star Delta switches
Ventilation switches
Special switches





CamLine Enclosed rotary cam and main switches

Contents:

Enclosed rotary cam and main switches

Ordering information

Enclosed cam switches.....	58
Enclosed main switches.....	58
Enclosures.....	58
Switch-disconnectors for enclosures OTC_.....	59
Base mounted switch-disconnectors	59
Door mounted switch-disconnectors	59
Accessories	59
Dimension drawings.....	60



CamLine

Enclosed rotary cam switches and main switches

Ordering details

Enclosed cam switches

The type and the ordering number are for one piece. Neutral and earth terminal, 6mm² included.

Number of poles	Function	Size of ¹⁾ enclosure	Type	Order number	Delivery batch [pcs]	Weight/unit [kg]
ON-OFF switches, IP65						
2	0 - 1	96x96x70	ONA2EPB	1SCA022662R3410	4	0.3
3	0 - 1	96x96x70	ONA3EPB	1SCA022662R3500	4	0.3
4	0 - 1	96x96x70	ONA4EPB	1SCA022662R3680	4	0.3
5	0 - 1	96x96x85	ONA5EPB	1SCA022755R1020	4	0.3
6	0 - 1	96x96x85	ONA6EPB	1SCA022755R1110	4	0.3
8	0 - 1	96x96x108	ONA8EPB	1SCA022755R1290	4	0.3
9	0 - 1	96x96x138	ONA9EPB	1SCA022761R4710	4	0.3
ON - OFF switches, padlockable handle, IP65						
2	0 - 1	96x96x70	ONA2EZB	1SCA022755R1610	4	0.3
3	0 - 1	96x96x70	ONA3EZB	1SCA022755R1700	4	0.3
4	0 - 1	96x96x70	ONA4EZB	1SCA022755R1880	4	0.3
5	0 - 1	96x96x85	ONA5EZB	1SCA022755R1960	4	0.3
6	0 - 1	96x96x85	ONA6EZB	1SCA022755R2000	4	0.3
8	0 - 1	96x96x108	ONA8EZB	1SCA022755R2180	4	0.3
9	0 - 1	96x96x138	ONA9EPB	1SCA022761R4800	4	0.3
ON - OFF switches, key type, IP54						
3	0 - 1	96x96x100	ONA3EKB	1SCA022755R2260	4	0.3
Change-over switches						
1	1 - 0 - 2	96x96x100	ONU1EPB	1SCA022755R2850	4	0.3
Reversing switches						
3	1 - 0 - 2	96x96x100	ONW3EPB	1SCA022755R2930	4	0.3
Star delta switches						
25	0 - Y - ΔΔ	305x215x185	ONSDEPB	1SCA022662R4140	4	0.3
40	0 - Y - ΔΔ	305x215x185	OL40SDEPB	1SCA022755R3230	4	0.4

Enclosed main switches

AC 21...22A 400 V I _n [A]	AC 23A 400 V I _n [A]/P[kW]	Cable outlets/ side	Type	Order number	Weight/ unit [kg]
Includes selector type black handle (O-I and ON-OFF indication), knock-outs, N- and PE-terminals (6mm ²), size 96x96x70					
16	16/17.5	2xM25	OTU16B3M6	1SCA022758R6750	0.35

Enclosures

The enclosures can accommodate cam switches for door mounting and OT-switches for door mounting and base mounting. Neutral and earth terminal, 6mm², included.

Suitable cam switches	Protection - Class	Size of enclosure	Type	Order number	Weight/unit [kg]
ON-OM: 4 contacts, 2 stages, OL: 2 contacts, 1 stage					
	IP 54	96x96x70	OTC25M25	1SCA022745R4500	0.2
	IP 65	96x96x70	OTC26M25	1SCA022745R4680	0.2
ON-OM: 6 contacts, 3 stages, OL: 4 contacts, 2 stages					
	IP54	96x96x84.5	OTC35M25	1SCA022757R6440	0.2
	IP65	96x96x84.5	OTC36M25	1SCA022757R6520	0.2
ON-OM: 10 contacts, 5 stages, OL: 6 contacts, 3 stages					
	IP 54	96x96x108	OTC45M25	1SCA022745R4760	0.2
	IP 65	96x96x108	OTC46M25	1SCA022745R4840	0.2
ON-OM: 6 contacts, 3 stages, wide, OL: 4 contacts, 2 stages					
	IP 65	161x100x80	OTC36LM25	1SCA022761R4980	0.2

¹⁾ The height without handle.

²⁾ See the contact diagrams for the open types on pages 18...32.

Special enclosed cam switches configured by the Camweb tool.



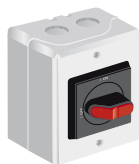
ONA_EPB



ONA3EKB



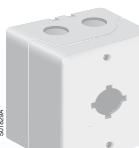
ONA_EZB



OTU16B3M6



OTC2_M25



OTC3_M25



OTC4_M25



OTC36LM25

CamLine

Switch-disconnectors

Ordering details

Switch-disconnectors for enclosures OTC_

This is a selection of switches and accessories, more information in catalogue OT/OETL 1GB.

Base mounted switch disconnectors

Suitable for enclosures OTC25M25 and OTC26M25.

Number of poles	I _{th} (open) [A]	Cable cross section [mm ²]	Operat. currents AC22/AC23 415V [A/A]	Type	Order number	Delivery batch [pcs]	Weight/unit [kg]
3	25	0.75...10	16 / 16	OT16E3	1SCA022283R8470	10	0.11
4	25	0.75...10	16 / 16	OT16E4	1SCA022352R7170	10	0.14

Selector type handles

Indication I-O and ON-OFF, the shaft (diameter 5 mm) has to be ordered separately, door drilling 22,5 mm, NEMA 1. The door cannot be opened in I/ON-position.

Black, IP 54, no padlocking	OHB1AH1	1SCA022364R6340	150	0.07
Red-yellow, IP54, no padlocking	OHY1AH1	1SCA022364R6420	150	0.07
Black, IP54, one padlock	OHB3AH1	1SCA022428R9000	150	0.07
Red-yellow, IP54, one padlock	OHY3AH1	1SCA022400R3710	150	0.07
Black, IP65, 3 padlocks	OHB2AJ	1SCA022347R4030	120	0.07
Red-yellow, IP65, 3 padlocks, defeatable	OHY2AJ	1SCA022353R2840	120	0.07

Shaft

Diameter 5 mm

For OH1 and 3 handles, length 45 mm	OXS5X45	1SCA022563R7770	10	0.1
For OH2 handle, length 57 mm	OXS5X57	1SCA022389R0090	10	0.2

Interlocking ring

For replacing the red knob on the OT switch	OTZS1	1SCA022543R5210	10	0.1
---	-------	-----------------	----	-----

Door mounted switch-disconnectors

Suitable for enclosures OTC25M25 and OTC26M25.

Number of poles	I _{th} (open) [A]	Cable cross section [mm ²]	Operat. currents AC22/AC23 415V [A/A]	Type	Order number	Delivery batch [pcs]	Weight/unit [kg]
3	25	0.75...10	16 / 16	OT16ET3	1SCA022352R6610	10	0.13
4	25	0.75...10	16 / 16	OT16ET4	1SCA022352R7250	10	0.16

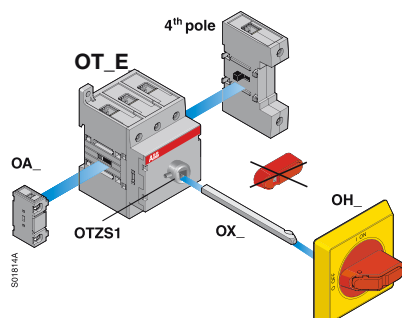
Handles, selector type

Black, IP54, no padlocking	OHY1PH	1SCA022353R1870	150	
Red-yellow, IP54, no padlocking	OHB1PH	1SCA022353R1610	150	
Black, IP54, one padlock	OHB3PH	1SCA022428R9260	150	
Red-yellow, IP54, one padlock	OHY3PH	1SCA022400R3120	150	
Black, IP54, 3 padlocks	OHB2PJ	1SCA022353R2680	120	
Red-yellow, IP54, 3 padlocks	OHY2PJ	1SCA022353R2920	120	

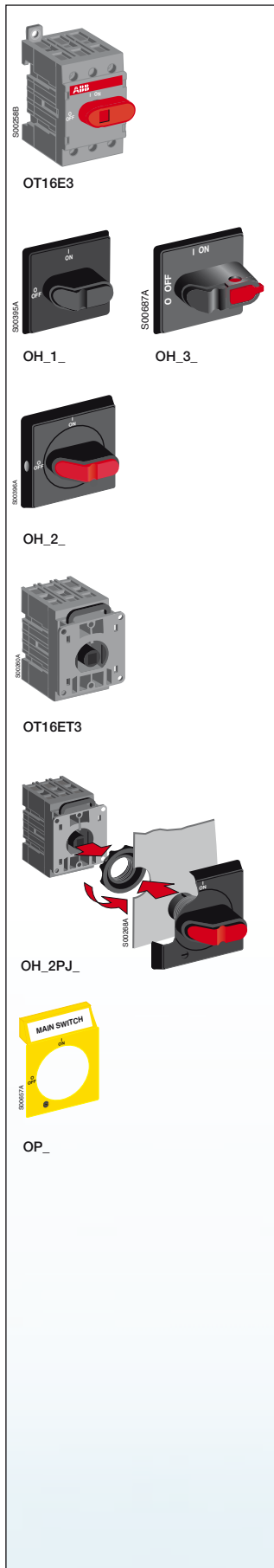
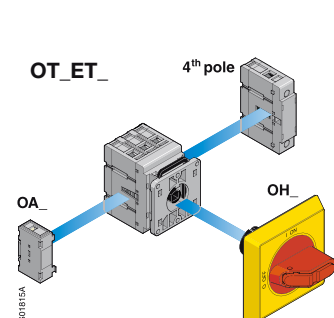
Other accessories for OT 16E 3/ 4 and OT 16ET3/ 4 switch-disconnectors

Auxiliary contact, 1NC (normally closed)	OA1G01	1SCA022353R4890	10	0.03
Auxiliary contact, 1NO (normally open)	OA1G10	1SCA022353R4970	10	0.03
Address plate for OH1_ and 3_ , black	OPB1	1SCA022353R3730	1	
Address plate for OH1_ and 3_ , yellow	OPY1	1SCA022353R3810	1	

Base mounted switch-disconnectors OT 16E_



Door mounted switch-disconnectors OT 16ET_

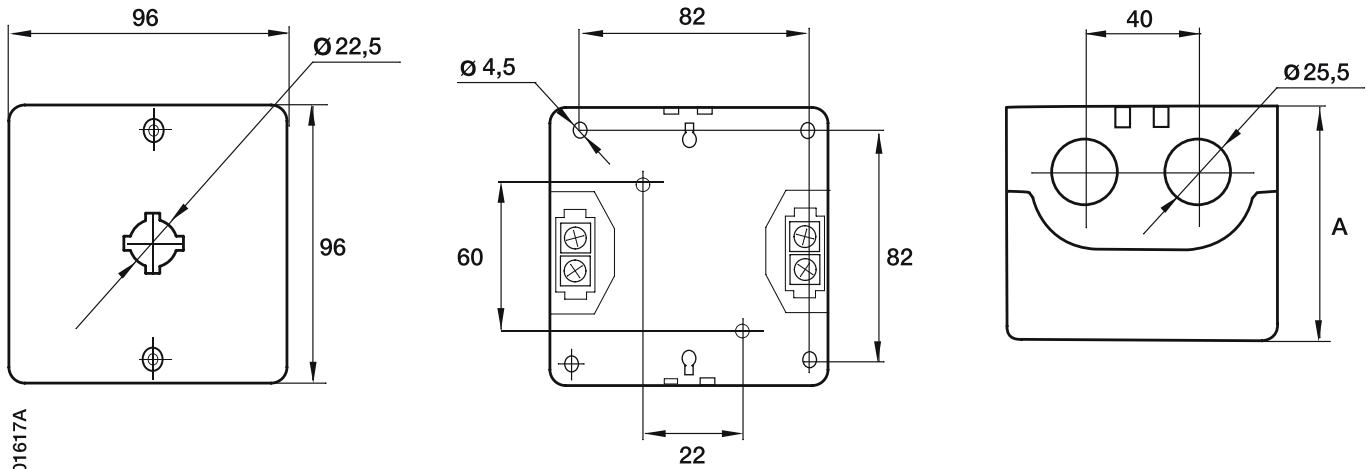


CamLine

Enclosed rotary cam switches

Dimension drawings

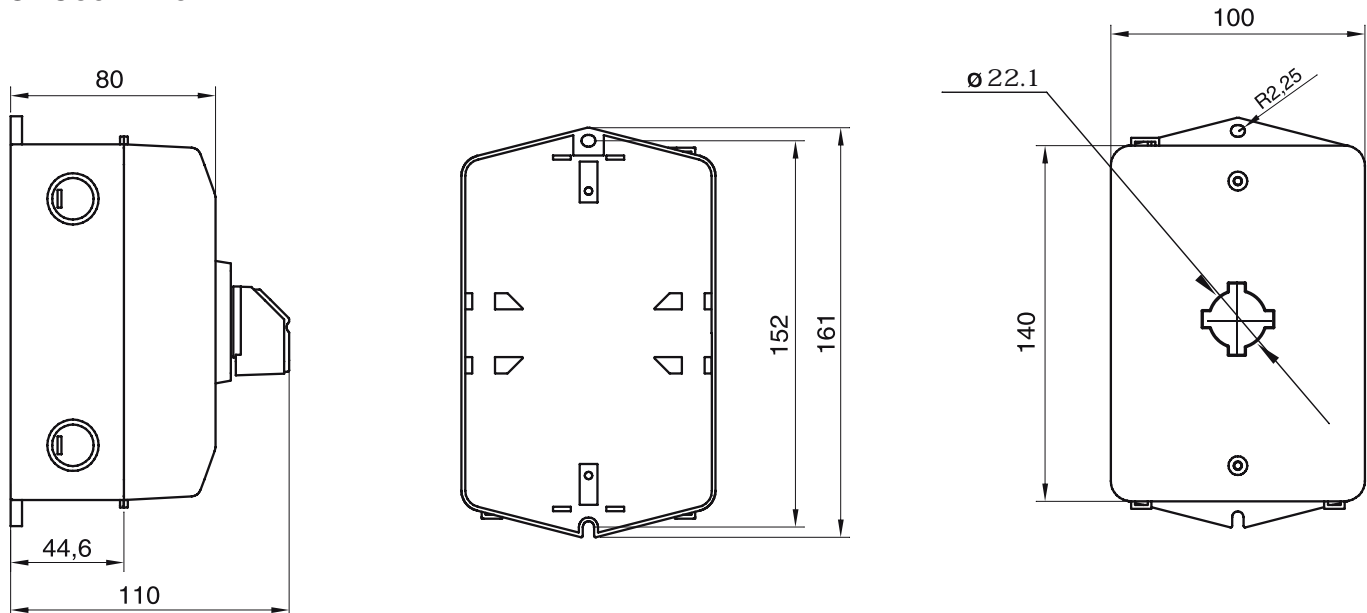
OTC_



S01617A

Type	A/mm Outside	A/mm Inside
OTC2_M25	70	61
OTC3_M25	84.5	75.5
OTC4_M25	108	99

OTC36LM25



S01927A



This plan is only for your personel help. We recommend to use the Camweb configurator for final specification in order to obtain type ordering code and price.

Special cam switches, contact plan

Company _____

Type _____

Phone/Fax nr. _____

Project number _____

Name _____

Customer's number _____

Quantity: _____ pcs

Handled by: _____

Date: _____

- Interconnection between contacts
- X** Contact closed
- X**/**X** Contact closed between positions
- X**/**X** Early make / Late break (at least 60° between steps)
- Automatic spring return (step max 60°)

1	3	5	7	9	11	13	15	17	19	21	23	25	27	29	31	33	35	37	39
2	4	6	8	10	12	14	16	18	20	22	24	26	28	30	32	34	36	38	40

		ON_M											OM				ON, OL			
	1	3	5	7	9	11	13	15	17	19	21	23	25	27	29	31	33	35	37	39
	2	4	6	8	10	12	14	16	18	20	22	24	26	28	30	32	34	36	38	40

	Normal	Padlockable	Key operated _K	Enclosed _E_6 IP65	Cylinder locking	Pushbutton locking	Comments:
Black_B							
Grey_G							
Red-yellow_RY							

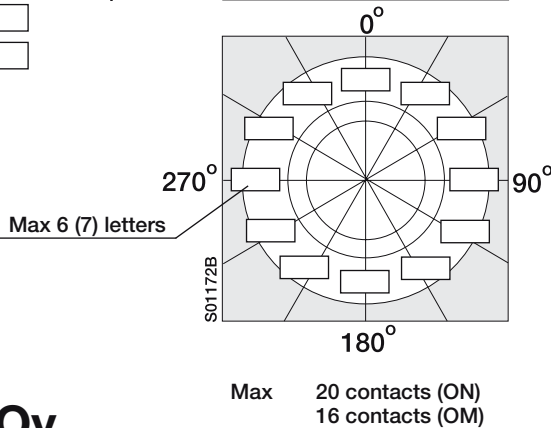
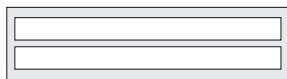
Front plate

OM

ON

OL

Additional lettering plate



DIN-rail mounting

ON_M, Modular

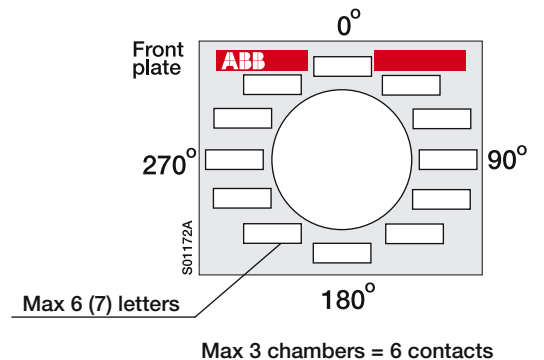


ABB Oy

Notes

A series of horizontal dotted lines for writing notes.

Notes

A series of horizontal dotted lines for taking notes.



ABB Oy
Low Voltage Products
P.O. Box 622
FI-65101 VAASA, Finland
Telephone +358 10 22 11
Telefax +358 10 22 45708
www.abb.com

The technical data and dimensions are valid at the time of printing. We reserve the right to subsequent alterations.

