

Product data sheet

Specifications



motion servo drive, Lexium 28, single and three phase, 200 to 240V, 200W

LXM28AU02M3X

Product availability: Stock - Normally stocked in distribution facility

Price*: 610.00 USD

Main

Range of Product	Lexium 28
Device short name	LXM28A
Product or Component Type	Motion servo drive
Format of the drive	Compact housing
Line current	2.4 A 226.8 % 220 V, single phase 2.4 A 200.7 % 220 V, three phase

Complementary

Phase	Three phase Single phase
[Us] rated supply voltage	200...240 V - 10...15 % three phase 200...240 V - 20...15 % single phase
Supply voltage limits	200...255 V three phase 170...255 V single phase
Supply frequency	50/60 Hz - 5...5 %
Network Frequency	47.5...63 Hz
EMC filter	Without EMC filter
Continuous output current	1.5 A 16 kHz
Output current 3s peak	4.5 A 220 V
Continuous power	200 W 220 V
Nominal power	0.2 kW 220 V 16 kHz
switching frequency	16 kHz
Overvoltage category	III
Maximum leakage current	1.3 mA
Output voltage	<= power supply voltage
Electrical isolation	Between power and control
Type of cable	Shielded motor cable 32.0000000000...131.0000000000 °F (0...55 °C)) copper
Electrical connection	Spring terminal 0.82...1 mm ² , AWG 18 L1-L2) Spring terminal 0.82...1 mm ² , AWG 18 R, S, T) Spring terminal 0.82...1 mm ² , AWG 18 U, V, W, PE) Spring terminal 0.82...1 mm ² , AWG 18 PA/+, PBe)
Discrete input number	8 programmable CN1) 1 pulse train input (PTI) CN1) 2 fast capture CN1) 1 safety function STO CN9)

Price is "List Price" and may be subject to a trade discount – check with your local distributor or retailer for actual price.

Discrete input voltage	24 V DC logic
Discrete input logic	Positive or negative CN1)
Discrete output number	5 logic output CN1)12...24 V DC 1 pulse train output (PTO) CN1)
Discrete output voltage	12...24 V DC
Discrete output logic	Positive or negative CN1)
Analogue input number	2
Absolute accuracy error	0.1 %
Analogue input type	V_REF voltage analog input - 10...10 V 10 kOhm 14 bits T_REF voltage analog input
Control signal type	Servo motor encoder feedback CN2
Protection type	Against reverse polarity inputs signal Against short-circuits outputs signal Overcurrent motor Overvoltage motor Undervoltage motor Overheating motor Overload motor Overspeed motor
Safety function	STO (safe torque off), Integrated
Safety level	SIL 2 IEC 61800-5-2 2007 SIL 2 IEC 61508-1 2010 PL d/category 3 ISO 13849-1 2008 SIL 2 ISO 13849-1 2009/AC SIL 2 IEC 60204-1 2006 SIL 2 IEC 60204-1 2009/A1 SIL 2 IEC 60204-1 2010/AC SIL 2 IEC 62061 2012
Communication interface	CANopen, Integrated CANmotion, Integrated
Connector type	RJ45 CN4)CANopen, CANmotion
Method of access	Slave
Transmission rate	250 kbit/s 328.08...820.2 ft (100...250 m) CANopen, CANmotion 500 kbit/s 13.1...328.08 ft (4...100 m) CANopen, CANmotion 1 Mbit/s 13.1 ft (4 m) CANopen, CANmotion
Number of addresses	1...127 CANopen, CANmotion
Physical interface	RS485 Modbus Serial line slave
Status LED	1 LED (Red) charge 1 LED (Green) RUN 1 LED (Red) error
Signalling function	Servo status and fault codes five 7-segment display units
Marking	CSA CULus CE
Type of cooling	Natural convection
Operating position	Vertical
Product compatibility	Servo motor BCH2 2.4 in (60 mm), 1 200 W
Width	2.2 in (55 mm)
Height	5.9 in (150 mm)
Depth	5.7 in (146 mm)
Net Weight	2.2 lb(US) (1 kg)
Output current 3s peak 2	4.5 A 220 V

Output current 3s peak 3	4.5 A 220 V
--------------------------	-------------

Environment

Electromagnetic compatibility	Conducted emission - test level: level 3 category C3 conforming to IEC 61800-3
-------------------------------	--

Standards	IEC 61800-5-1
-----------	---------------

Product Certifications	cULus CSA CE
------------------------	--------------------

IP degree of protection	IP20
-------------------------	------

Vibration resistance	3M4 3 mm 9...200 Hz)IEC 60721-3-3
----------------------	-----------------------------------

Shock resistance	10 gn, type I IEC 60721-3-3
------------------	-----------------------------

Relative humidity	5...95 % without condensation
-------------------	-------------------------------

Ambient Air Temperature for Operation	32.0000000000...131.0000000000 °F (0...55 °C)
---------------------------------------	---

Ambient Air Temperature for Storage	-13.0000000000...149.0000000000 °F (-25...65 °C)
-------------------------------------	--

Operating altitude	<= 3280.84 ft (1000 m) without derating > 3280.84...6561.68 ft (> 1000...2000 m) 1 % per 100 m
--------------------	---

Ordering and shipping details

Category	US1PC5118262
----------	--------------

Discount Schedule	PC51
-------------------	------

GTIN	3606480711770
------	---------------

Returnability	Yes
---------------	-----

Country of origin	CN
-------------------	----

Packing Units

Unit Type of Package 1	PCE
------------------------	-----

Number of Units in Package 1	1
------------------------------	---

Package 1 Height	3.0 in (7.5 cm)
------------------	-----------------

Package 1 Width	9.06 in (23 cm)
-----------------	-----------------

Package 1 Length	9.3 in (23.7 cm)
------------------	------------------

Package 1 Weight	2.78 lb(US) (1.26 kg)
------------------	-----------------------

Unit Type of Package 2	S03
------------------------	-----

Number of Units in Package 2	5
------------------------------	---

Package 2 Height	11.8 in (30 cm)
------------------	-----------------

Package 2 Width	11.8 in (29.9 cm)
-----------------	-------------------

Package 2 Length	15.7 in (39.8 cm)
------------------	-------------------

Package 2 Weight	15.19 lb(US) (6.89 kg)
------------------	------------------------

Unit Type of Package 3	PAL
------------------------	-----

Number of Units in Package 3	40
------------------------------	----

Package 3 Height	23.6 in (60 cm)
------------------	-----------------

Package 3 Width	23.6 in (60 cm)
-----------------	-----------------

Package 3 Length	31.5 in (80 cm)
------------------	-----------------

Package 3 Weight	121.52 lb(US) (55.12 kg)
------------------	--------------------------

Sustainability

Green Premium™ label is Schneider Electric's commitment to delivering products with best-in-class environmental performance. Green Premium promises compliance with the latest regulations, transparency on environmental impacts, as well as circular and low-CO₂ products.

Guide to assessing product sustainability is a white paper that clarifies global eco-label standards and how to interpret environmental declarations.

[Learn more about Green Premium >](#)

[Guide to assess a product's sustainability >](#)



Transparency RoHS/REACH

Well-being performance

Reach Free Of Svhc

Mercury Free

Rohs Exemption Information [Yes](#)

Pvc Free

Certifications & Standards

Reach Regulation

[REACH Declaration](#)

Eu Rohs Directive

Pro-active compliance (Product out of EU RoHS legal scope)

China Rohs Regulation

[China RoHS declaration](#)

Environmental Disclosure

[Product Environmental Profile](#)

Weee

The product must be disposed on European Union markets following specific waste collection and never end up in rubbish bins.

Circularity Profile

[End of Life Information](#)

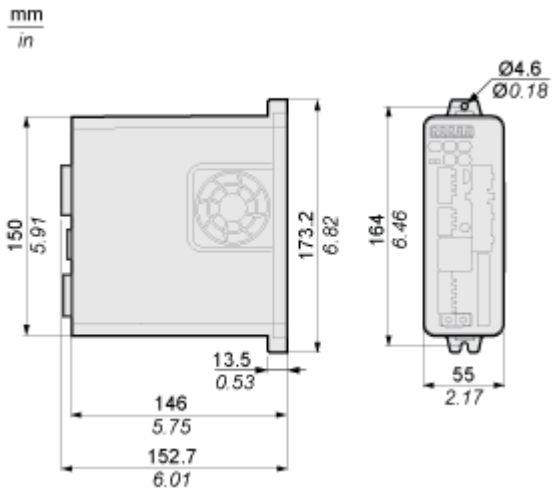
California Proposition 65

WARNING: This product can expose you to chemicals including: Lead and lead compounds, which is known to the State of California to cause cancer and birth defects or other reproductive harm. For more information go to www.P65Warnings.ca.gov

Dimensions Drawings

Dimensions

Dimensions of Drive



Mounting and Clearance

Mounting Clearance

Mounting Distances and Air Circulation

mm
in.

