

Product datasheet

Specifications



TeSys F reversing contactor - 3P(3 NO) AC-3 <= 440 V 185 A - without coil

LC2F185

⚠ Discontinued on: 26-Apr-2024

⚠ End-of-service on: 30-Jun-2024

⚠ To be discontinued

Main

Range	TeSys
Product name	TeSys F
Product or component type	Reversing contactor
Device short name	LC2F
contactor application	Resistive load Motor control
Utilisation category	AC-3 AC-1
device presentation	Preassembled with reversing power busbar
poles description	3P
power pole contact composition	3 NO
[Ue] rated operational voltage	<= 1000 V AC 50/60 Hz <= 460 V DC
[Ie] rated operational current	275 A (at <40 °C) at <= 440 V AC AC-1 185 A (at <55 °C) at <= 440 V AC AC-3
Motor power kW	100 kW at 1000 V AC 50/60 Hz 100 kW at 415 V AC 50/60 Hz 100 kW at 440 V AC 50/60 Hz 110 kW at 500 V AC 50/60 Hz 90 kW at 380...400 V AC 50/60 Hz 55 kW at 220...240 V AC 50/60 Hz 110 kW at 660...690 V AC 50/60 Hz
Auxiliary contact composition	1 NO
[Uimp] rated impulse withstand voltage	8 kV
Overvoltage category	III
[Ith] conventional free air thermal current	275 A (at 40 °C)
Irms rated making capacity	1850 A AC conforming to IEC 60947-4-1
Rated breaking capacity	1480 A conforming to IEC 60947-4-1
[Icw] rated short-time withstand current	1500 A 40 °C - 10 s 920 A 40 °C - 30 s 740 A 40 °C - 1 min 500 A 40 °C - 3 min 400 A 40 °C - 10 min
Associated fuse rating	200 aM at <= 440 V 315 aG at <= 440 V
Average impedance	0.33 mOhm - Ith 275 A 50 Hz

[Ui] rated insulation voltage	1000 V conforming to IEC 60947-4-1 1500 V conforming to VDE 0110 group C
Power dissipation per pole	12 W AC-3
Interlocking type	Mechanical
Mounting support	Plate
Standards	EN 60947-4-1 IEC 60947-4-1 IEC 60947-1 JIS C8201-4-1 EN 60947-1
Product certifications	ABS CB RINA RMRoS CCC UL CSA DNV LROS (Lloyds register of shipping) UKCA
Connections - terminals	Control circuit: screw clamp terminals 1 cable(s) 1...4 mm ² flexible without cable end Control circuit: screw clamp terminals 2 cable(s) 1...4 mm ² flexible without cable end Control circuit: screw clamp terminals 1 cable(s) 1...4 mm ² flexible with cable end Control circuit: screw clamp terminals 2 cable(s) 1...2.5 mm ² flexible with cable end Control circuit: screw clamp terminals 1 cable(s) 1...4 mm ² solid without cable end Control circuit: screw clamp terminals 2 cable(s) 1...4 mm ² solid without cable end Power circuit: bar 2 cable(s) - busbar cross section: 25 x 3 mm Power circuit: connector 1 cable(s) 150 mm ² Power circuit: lugs-ring terminals 1 cable(s) 150 mm ²
Tightening torque	Control circuit: 1.2 N.m Power circuit: 18 N.m

Environment

IP degree of protection	IP2X front face with shrouds conforming to IEC 60529 IP2X front face with shrouds conforming to VDE 0106
Protective treatment	TH
Ambient air temperature for operation	-5...55 °C
Ambient air temperature for storage	-60...80 °C
Permissible ambient air temperature around the device	-40...70 °C
Operating altitude	3000 m without derating
Fire resistance	850 °C conforming to IEC 60695-2-1
Mechanical robustness	Vibrations contactor open: 2 Gn, 5...300 Hz Shocks contactor closed: 15 Gn for 11 ms Vibrations contactor closed: 5 Gn, 5...300 Hz Shocks contactor open: 7 Gn for 11 ms
Height	174 mm
Width	357 mm
Depth	181 mm
Net weight	10.1 kg

Packing Units

Unit Type of Package 1	PCE
Number of Units in Package 1	1
Package 1 Height	30.000 cm

Package 1 Width	40.000 cm
-----------------	-----------

Package 1 Length	60.000 cm
------------------	-----------

Package 1 Weight	11.490 kg
------------------	-----------

Contractual warranty

Warranty	18 months
----------	-----------

Sustainability

Green Premium™ label is Schneider Electric's commitment to delivering products with best-in-class environmental performance. Green Premium promises compliance with the latest regulations, transparency on environmental impacts, as well as circular and low-CO₂ products.

Guide to assessing product sustainability is a white paper that clarifies global eco-label standards and how to interpret environmental declarations.

[Learn more about Green Premium >](#)

[Guide to assess a product's sustainability >](#)



Transparency RoHS/REACH

Well-being performance

Mercury Free

Rohs Exemption Information Yes

Pvc Free

Certifications & Standards

Reach Regulation [REACH Declaration](#)

Eu Rohs Directive Compliant with Exemptions

China Rohs Regulation [China RoHS declaration](#)
Product out of China RoHS scope. Substance declaration for your information

Environmental Disclosure [Product Environmental Profile](#)

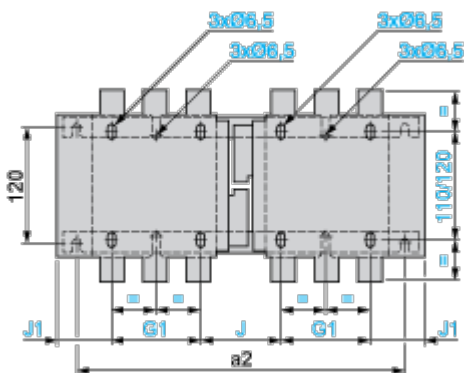
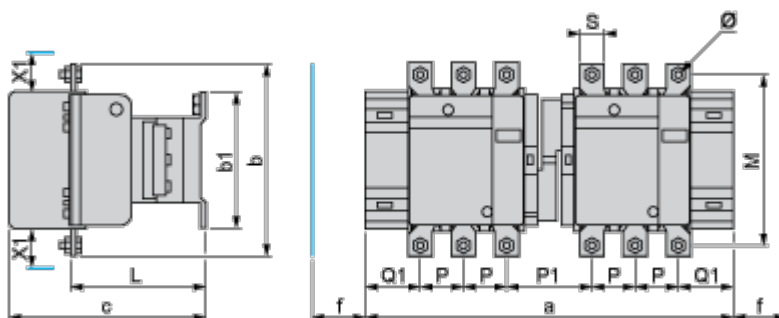
Weee The product must be disposed on European Union markets following specific waste collection and never end up in rubbish bins

Circularity Profile [End of Life Information](#)

Dimensions Drawings

Dimensions and Drawings

Pre-assembled: LC2 F115 to F265 (Reverser supplied on 2 bars which can be used for fixing the device)



NOTE: Bar fixing centers Vertical: 120 mm, Horizontal: a2 see table.

NOTE: X1 (mm) = Minimum electrical clearance according to operating voltage and breaking capacity.

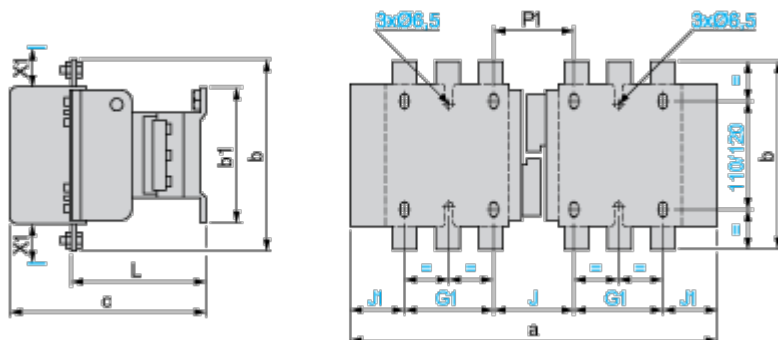
LC1	200...500 V	660...1000 V
F115, F150	10	15
F185	10	15
F225, F265	10	15

LC2		a	a2	b	b1	c	G1	J	J1	L	M	P	P1	Q1	S	f	Ø
F115	3P	345	317	162	137	171	80	71	57	107	147	37	77	60	20	131	M6
	4P	419	378	162	137	171	80	108	75.5	107	147	37	77	60	20	131	M6
F150	3P	345	317	170	137	171	80	71	57	107	150	40	71	57	20	131	M8
	4P	422	381	170	137	171	80	111	75.5	107	150	40	71	55.5	20	131	M8

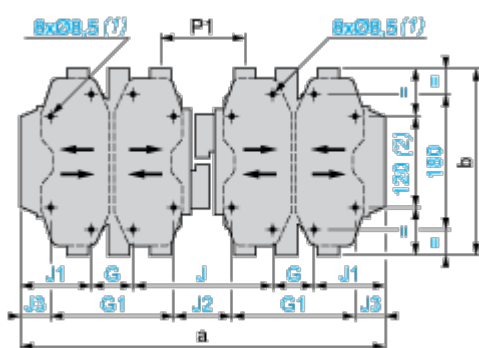
LC2		a	a2	b	b1	c	G1	J	J1	L	M	P	P1	Q1	S	f	Ø
F185	3P	357	326	174	137	181	80	78	59.5	113.5	154	40	78	59.5	20	130	M8
	4P	437	390	174	137	181	80	118	79.5	113.5	154	40	78	59.5	20	130	M8
F225	3P	357	326	197	137	181	80	78	59.5	113.5	172	48	62	51.5	25	130	M10
	4P	437	390	197	137	181	80	118	79.5	113.5	172	48	54	47.5	25	130	M10
F265	3P	425	386	203	145	213	96	109	61.5	141	178	48	100	66.5	25	147	M10
	4P	521	464	203	145	213	96	157	85.5	141	178	48	100	66.5	25	147	M10

NOTE: For customer assembly, fixing recommended on AM1 EC uprights, please consult your Regional Sales Office.

2 x LC1 F115 to F330



2 x LC1 F400, F500, F630, F800



- (1) Except LC1 F630 and F800: 4 x Ø10.5.
- (2) Except LC1 F630 and F800.

NOTE: X1 (mm) = Minimum electrical clearance according to operating voltage and breaking capacity.

LC1	200...500 V	660...1000 V	200...690 V	1000 V
F115, F150	10	15	–	–

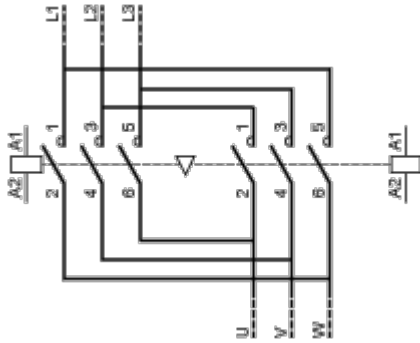
LC1	200...500 V	660...1000 V	200...690 V	1000 V
F185	10	15	–	–
F225, F265	10	15	–	–
F330	10	15	–	–
F400	15	20	–	–
F500	15	20	–	–
F630	20	30	–	–
F800	–	–	10	20

2 x LC1		a	b	b1	c	G	G1	J	J1	J2	J3	L	P1
F115	3P	345	162	137	171	–	80	71	57	–	–	107	77
	4P	419	162	137	171	–	80	108	75.5	–	–	107	77
F150	3P	345	170	137	171	–	80	71	57	–	–	107	71
	4P	422	170	137	171	–	80	111	75.5	–	–	107	71
F185	3P	357	174	137	181	–	80	78	59.5	–	–	113.5	78
	4P	437	174	137	181	–	80	118	79.5	–	–	113.5	78
F225	3P	357	197	137	181	–	80	78	59.5	–	–	113.5	62
	4P	437	197	137	181	–	80	118	79.5	–	–	113.5	54
F265	3P	425	203	145	213	–	96	109	61.5	–	–	141	100
	4P	521	203	145	213	–	96	157	85.5	–	–	141	100
F330	3P	447	206	145	219	–	96	124	65.5	–	–	145	107
	4P	543	206	145	219	–	96	172	89.5	–	–	145	107
F400	3P	446	206	209	219	80	170	157	64.5	67	19.5	145	107
	4P	542	206	209	219	80	170	157	112.5	67	67.5	145	107
F500	3P	485	238	209	232	80	170	156	84.5	66	39.5	146	112
	4P	595	238	209	232	140	230	156	79.5	66	34.5	146	112
F630	3P	636	304	280	255	180	–	139	68.5	–	–	155	137
	4P	796	304	280	255	240	–	139	88.5	–	–	155	137
F800	3P	636	304	280	255	180	–	139	68.5	–	–	155	137

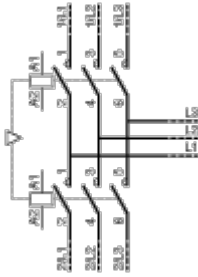
Connections and Schema

Connections and Schema

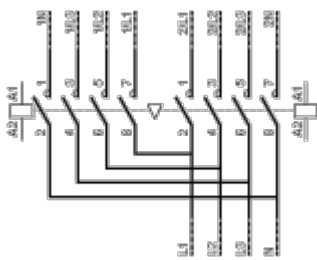
Reversing contactors for motor control LC2 F: 2xLC1 F Horizontally mounted



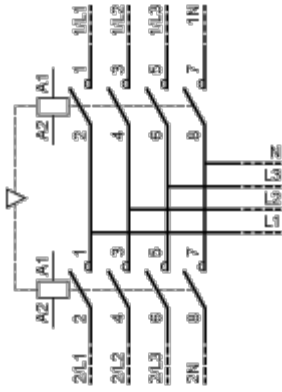
Reversing contactors for motor control LC2 F: 2xLC1 F Vertically mounted



Changeover contactor pairs for distribution LC2 F: 2xLC1 F Horizontally mounted



Changeover contactor pairs for distribution LC2 F: 2xLC1 F Vertically mounted



Electrical interlocking of reversers fitted with mechanical interlock without integral electrical contacts: LA9 F

