

# Product datasheet

Specifications



integrated drive ILA with servo motor - 24..36 V - CANopen - indus connector

ILA1F572PC2A0

## Main

Range of product	Lexium integrated drive
product or component type	Motion integrated drive
Device short name	ILA
Motor type	AC synchronous servo motor
Number of motor poles	6
Network number of phases	Single phase
[Us] rated supply voltage	36 V 24 V
Network type	DC
Communication interface	CANopen DS301, integrated
Length	207.8 mm
Winding type	Medium speed of rotation and medium torque
Electrical connection	Industrial connector
Holding brake	Without
Gear box type	Without
Nominal speed	2600 rpm at 24 V 4300 rpm at 36 V
Nominal torque	0.45 N.m

## Complementary

Transmission rate	50, 100, 125, 250, 500, 800 and 1000 kbauds
mounting support	Flange
Motor flange size	57 mm
Number of motor stacks	2
Centring collar diameter	50 mm
Centring collar depth	1.6 mm
Number of mounting holes	4
Mounting holes diameter	5.2 mm
Circle diameter of the mounting holes	66.6 mm
Feedback type	Multi turn encoder
Shaft end	Untapped
Second shaft	Without second shaft end

Shaft diameter	9 mm
Shaft length	20 mm
Supply voltage limits	18...40 V
Current consumption	7000 mA maximum continuous 8500 mA peak
Associated fuse rating	10 A
Input/output type	4 signals (each be used as input or output)
Voltage state 0 guaranteed	-3...4.5 V
Voltage state 1 guaranteed	15...30 V
Discrete input current	10 mA at 24 V on/STO_A for safety input 3 mA at 24 V on/STO_B for safety input 2 mA at 24 V for 24 V signal interface
Discrete output voltage	23...25 V
Maximum switching current	100 mA per output 200 mA total
Protection type	Short circuit of the output voltage Safe torque off Overload of output voltage
Peak stall torque	0.72 N.m
Continuous stall torque	0.45 N.m
Speed feedback resolution	16384 points/turn x 4096 turns
Accuracy error	+/- 0.05 °
Rotor inertia	0.18 kg.cm <sup>2</sup>
Maximum radial force Fr	107 N
Maximum axial force Fa	104 N (force pressure) 104 N (tensile force)
Service life in hours	20000 h bearing
marking	CE
Type of cooling	Natural convection
net weight	1.7 kg

## Environment

Standards	EN 61800-3:2001, second environment IEC 60072-1 EN 61800-3 : 2001-02 IEC 50347 IEC 61800-3, Ed 2 IEC 50178 IEC 61800-3
Product certifications	TÜV cUL UL
Ambient air temperature for operation	50...65 °C (with power derating of 2 % per °C) 0...50 °C (without derating)
Permissible ambient air temperature around the device	105 °C power amplifier 110 °C motor
Ambient air temperature for storage	-25...70 °C
Operating altitude	<= 1000 m without derating
Relative humidity	15...85 % without condensation

<b>Vibration resistance</b>	20 m/s <sup>2</sup> (f= 10...500 Hz) 10 cycles conforming to IEC 60068-2-6
<b>Shock resistance</b>	150 m/s <sup>2</sup> 1000 shocks conforming to IEC 60068-2-29
<b>IP degree of protection</b>	IP41 shaft bushing: conforming to IEC 60034-5 IP54 total except shaft bushing: conforming to IEC 60034-5

## Packing Units

<b>Unit Type of Package 1</b>	PCE
<b>Number of Units in Package 1</b>	1
<b>Package 1 Height</b>	8.0 cm
<b>Package 1 Width</b>	19.0 cm
<b>Package 1 Length</b>	39.0 cm
<b>Package 1 Weight</b>	2.1 kg

## Contractual warranty

<b>Warranty</b>	18 months
-----------------	-----------

## Sustainability

**Green Premium™ label** is Schneider Electric's commitment to delivering products with best-in-class environmental performance. Green Premium promises compliance with the latest regulations, transparency on environmental impacts, as well as circular and low-CO<sub>2</sub> products.

**Guide to assessing product sustainability** is a white paper that clarifies global eco-label standards and how to interpret environmental declarations.

[Learn more about Green Premium >](#)

[Guide to assess a product's sustainability >](#)



Transparency RoHS/REACH

## Well-being performance

Mercury Free

Rohs Exemption Information [Yes](#)

Pvc Free

## Certifications & Standards

**Reach Regulation** [REACH Declaration](#)

**Eu Rohs Directive** Pro-active compliance (Product out of EU RoHS legal scope)

**China Rohs Regulation** [China RoHS declaration](#)

**Environmental Disclosure** [Product Environmental Profile](#)

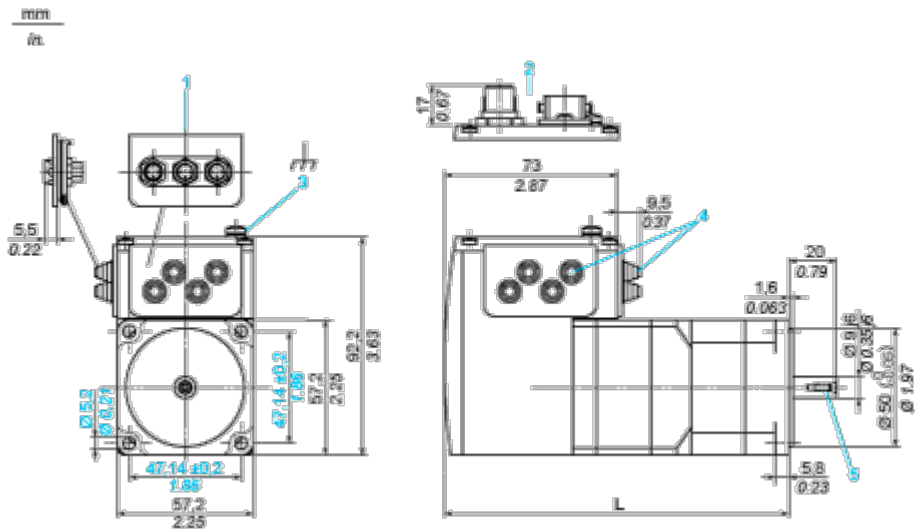
**Weee** The product must be disposed on European Union markets following specific waste collection and never end up in rubbish bins

**Circularity Profile** [End of Life Information](#)

Dimensions Drawings

Integrated Drive without Holding Brake

Dimensions

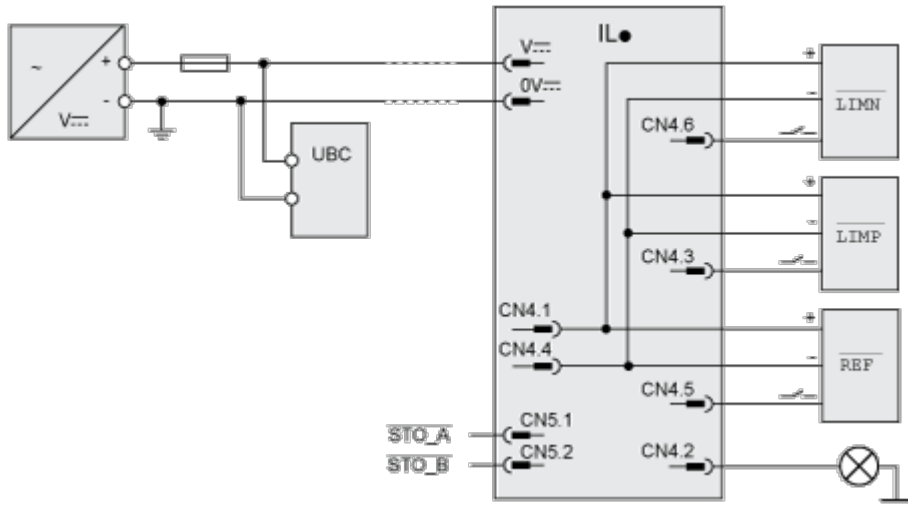


- 1 Accessories: I/O signal insert with industrial connectors
  - 2 Option: industrial connectors
  - 3 Earth (ground) terminal
  - 4 Accessories: cable entries  $\varnothing = 3 \dots 9 \text{ mm} / 0.12 \dots 0.35 \text{ in.}$
  - 5 Centring hole DIN 332 - DS M3
- L : 197.3 mm/7.77 in.

Connections and Schema

Connection Example with 4 I/O Signals

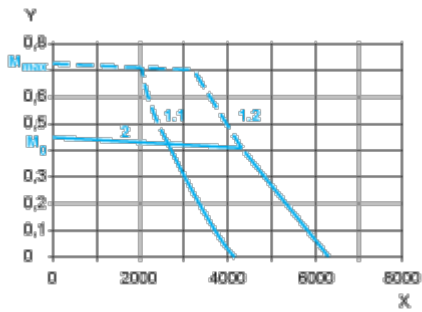
---



Performance Curves

Torque Characteristics

---



X Speed of rotation in rpm

Y Torque in Nm

1.1 Max. torque at 24 V

1.2 Max. torque at 36 V

2 Continuous torque