

# Product data sheet

Specifications



## integrated drive ILA with servo motor - 24..36 V - Profibus DP - PCB connector

ILA1B572TB1A0

⚠ Discontinued on: Sep 15, 2023

⚠ To be discontinued

## Main

Range of product	Lexium integrated drive
product or component type	Motion integrated drive
Device short name	ILA
Motor type	AC synchronous servo motor
Number of motor poles	6
Network number of phases	Single phase
[Us] rated supply voltage	36 V 24 V
Network type	DC
Communication interface	Profibus DP, integrated
Length	6.4 in (163.8 mm)
Winding type	High speed of rotation and medium torque
Electrical connection	Printed circuit board connector
Holding brake	Without
Gear box type	Without
Nominal speed	3100 rpm 24 V 5000 rpm 36 V
Nominal torque	3.63 lbf.in (0.41 N.m)

## Complementary

Transmission rate	9.6, 19.2, 45.45, 93.75, 187.5, 500, 1500, 3000, 6000 and 12000 kbauds
mounting support	Flange
Motor flange size	2.2 in (57 mm)
Number of motor stacks	2
Centring collar diameter	2.0 in (50 mm)
Centring collar depth	0.06 in (1.6 mm)
Number of mounting holes	4
Mounting holes diameter	0.2 in (5.2 mm)
Circle diameter of the mounting holes	2.6 in (66.6 mm)
Feedback type	Single turn encoder
Shaft end	Untapped

<b>Second shaft</b>	Without second shaft end
<b>Shaft diameter</b>	0.4 in (9 mm)
<b>Shaft length</b>	0.8 in (20 mm)
<b>Supply voltage limits</b>	18...40 V
<b>Current consumption</b>	7500 mA maximum continuous 9000 mA peak
<b>Associated fuse rating</b>	10 A
<b>Input/output type</b>	4 signals (each be used as input or output)
<b>Voltage state 0 guaranteed</b>	-3...4.5 V
<b>Voltage state 1 guaranteed</b>	15...30 V
<b>Discrete input current</b>	10 mA at 24 V on/STO_A safety input 3 mA at 24 V on/STO_B safety input 2 mA at 24 V 24 V signal interface
<b>Discrete output voltage</b>	23...25 V
<b>Maximum switching current</b>	100 mA per output 200 mA total
<b>Protection type</b>	Overload of output voltage Short circuit of the output voltage Safe torque off
<b>Peak stall torque</b>	5.40 lbf.in (0.61 N.m)
<b>Continuous stall torque</b>	3.63 lbf.in (0.41 N.m)
<b>Speed feedback resolution</b>	16384 points/turn
<b>Accuracy error</b>	+/- 0.05 °
<b>Rotor inertia</b>	0.18 kg.cm <sup>2</sup>
<b>Maximum radial force Fr</b>	107 N
<b>Maximum axial force Fa</b>	104 N force pressure) 104 N tensile force)
<b>Service life in hours</b>	20000 h bearing
<b>marking</b>	CE
<b>Type of cooling</b>	Natural convection
<b>net weight</b>	3.7 lb(US) (1.7 kg)

## Environment

<b>Standards</b>	IEC 61800-3, Ed 2 IEC 60072-1 EN 50347 EN 61800-3 : 2001-02 EN 61800-3:2001, second environment EN/IEC 50178 EN/IEC 61800-3
<b>Product certifications</b>	UL TÜV cUL
<b>Ambient air temperature for operation</b>	122...149 °F (50...65 °C) with power derating of 2 % per °C) 32...122 °F (0...50 °C) without derating)
<b>Permissible ambient air temperature around the device</b>	221 °F (105 °C) power amplifier 230 °F (110 °C) motor
<b>Ambient air temperature for storage</b>	-13...158 °F (-25...70 °C)
<b>Operating altitude</b>	<= 1000 m without derating

<b>Relative humidity</b>	15...85 % without condensation
<b>Vibration resistance</b>	20 m/s <sup>2</sup> 10...500 Hz) 10 cycles EN/IEC 60068-2-6
<b>Shock resistance</b>	150 m/s <sup>2</sup> 1000 shocks EN/IEC 60068-2-29
<b>IP degree of protection</b>	IP41 shaft bushing: conforming to EN/IEC 60034-5 IP54 total except shaft bushing: conforming to EN/IEC 60034-5

## Packing Units

<b>Unit Type of Package 1</b>	PCE
<b>Number of Units in Package 1</b>	1
<b>Package 1 Height</b>	4.5 in (11.5 cm)
<b>Package 1 Width</b>	7.5 in (19.0 cm)
<b>Package 1 Length</b>	15.6 in (39.5 cm)
<b>Package 1 Weight</b>	4.83 lb(US) (2.191 kg)

## Contractual warranty

<b>Warranty</b>	18 months
-----------------	-----------

## Sustainability

**Green Premium™ label** is Schneider Electric's commitment to delivering products with best-in-class environmental performance. Green Premium promises compliance with the latest regulations, transparency on environmental impacts, as well as circular and low-CO<sub>2</sub> products.

**Guide to assessing product sustainability** is a white paper that clarifies global eco-label standards and how to interpret environmental declarations.

[Learn more about Green Premium >](#)

[Guide to assess a product's sustainability >](#)



Transparency RoHS/REACH

## Well-being performance

Mercury Free

Rohs Exemption Information [Yes](#)

Pvc Free

## Certifications & Standards

Reach Regulation [REACH Declaration](#)

Eu Rohs Directive Pro-active compliance (Product out of EU RoHS legal scope)

China Rohs Regulation [China RoHS declaration](#)

Environmental Disclosure [Product Environmental Profile](#)

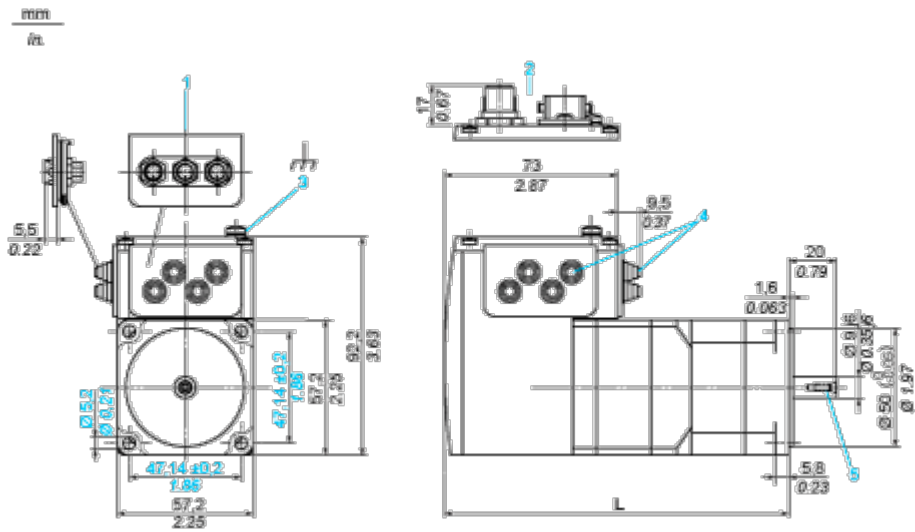
Weee The product must be disposed on European Union markets following specific waste collection and never end up in rubbish bins

Circularity Profile [End of Life Information](#)

Dimensions Drawings

Integrated Drive without Holding Brake

Dimensions

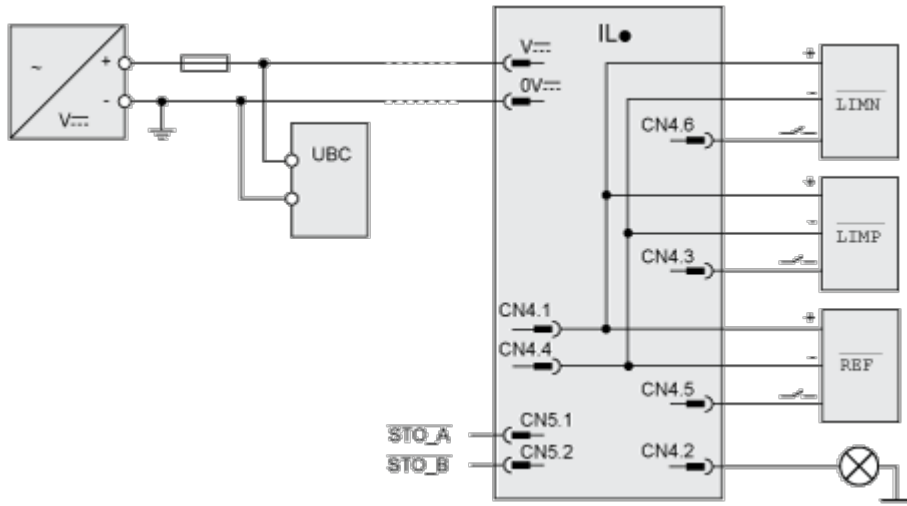


- 1 Accessories: I/O signal insert with industrial connectors
- 2 Option: industrial connectors
- 3 Earth (ground) terminal
- 4 Accessories: cable entries  $\text{Ø} = 3 \dots 9 \text{ mm} / 0.12 \dots 0.35 \text{ in.}$
- 5 Centring hole DIN 332 - DS M3
- L 163.8 mm/6.45 in.

Connections and Schema

Connection Example with 4 I/O Signals

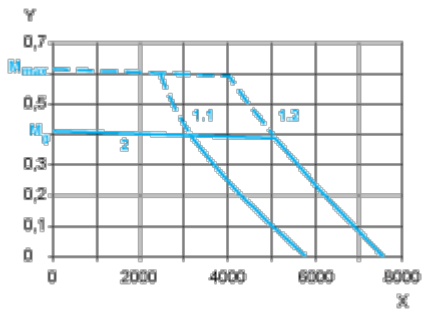
---



Performance Curves

Torque Characteristics

---



X Speed of rotation in rpm

Y Torque in Nm

1.1 Max. torque at 24 V

1.2 Max. torque at 36 V

2 Continuous torque