

# Product data sheet

Specifications



## integrated drive ILA with servo motor - 24..36 V - Profibus DP - PCB connector

ILA1B571PB1A0

! Discontinued on: Jan 23, 2021

! Discontinued

### Main

Range of Product	Lexium integrated drive
Product or Component Type	Motion integrated drive
Device short name	ILA
Motor Type	AC Synchronous Servo Motor
Number of motor poles	6
Phase	Single phase
[Us] rated supply voltage	24 V 36 V
Network type	DC
Communication interface	Profibus DP, Integrated
Length	5.7 in (145.3 mm)
Winding type	Medium speed of rotation and medium torque
Electrical Connection	Printed circuit board connector
Holding brake	Without
Gear box type	Without
Nominal speed	3200 rpm 24 V 5500 rpm 36 V
Nominal torque	2.30 lbf.in (0.26 N.m)

### Complementary

Transmission Rate	9.6, 19.2, 45.45, 93.75, 187.5, 500, 1500, 3000, 6000 and 12000 kbauds
Mounting Support	Flange
Motor flange size	2.2 in (57 mm)
Number of motor stacks	1
Centring collar diameter	2.0 in (50 mm)
Centring collar depth	0.06 in (1.6 mm)
Number of mounting holes	4
Mounting holes diameter	0.2 in (5.2 mm)
Circle diameter of the mounting holes	2.6 in (66.6 mm)
Feedback type	Single turn encoder
Shaft end	Untapped

Price is "List Price" and may be subject to a trade discount – check with your local distributor or retailer for actual price.

<b>Second shaft</b>	Without second shaft end
<b>Shaft diameter</b>	0.4 in (9 mm)
<b>Shaft length</b>	0.8 in (20 mm)
<b>Supply voltage limits</b>	18...40 V
<b>Current consumption</b>	5000 mA maximum continuous 7000 mA peak
<b>Associated fuse rating</b>	10 A
<b>Input/output type</b>	4 signals (each be used as input or output)
<b>Voltage state 0 guaranteed</b>	-3...4.5 V
<b>Voltage state 1 guaranteed</b>	15...30 V
<b>Discrete input current</b>	10 mA at 24 V on/STO_A safety input 3 mA at 24 V on/STO_B safety input 2 mA at 24 V 24 V signal interface
<b>Discrete output voltage</b>	23...25 V
<b>Maximum switching current</b>	100 mA per output 200 mA total
<b>Protection Type</b>	Safe torque off Short circuit of the output voltage Overload of output voltage
<b>Peak stall torque</b>	5.3 lbf.in (0.6 N.m)
<b>Continuous stall torque</b>	2.30 lbf.in (0.26 N.m)
<b>Speed feedback resolution</b>	16384 points/turn
<b>Accuracy error</b>	+/- 0.05 °
<b>Rotor inertia</b>	0.1 kg.cm <sup>2</sup>
<b>Maximum radial force Fr</b>	89 N
<b>Maximum axial force Fa</b>	104 N force pressure) 104 N tensile force)
<b>Service life in hours</b>	20000 h bearing
<b>marking</b>	CE
<b>Type of cooling</b>	Natural convection
<b>Net Weight</b>	3.09 lb(US) (1.4 kg)

## Environment

<b>Standards</b>	IEC 60072-1 EN 50347 EN/IEC 50178 EN 61800-3:2001, second environment EN/IEC 61800-3 IEC 61800-3, Ed 2 EN 61800-3 : 2001-02
<b>Product Certifications</b>	UL TÜV cUL
<b>Ambient air temperature for operation</b>	122...149 °F (50...65 °C) with power derating of 2 % per °C) 32...122 °F (0...50 °C) without derating)
<b>Permissible ambient air temperature around the device</b>	221 °F (105 °C) power amplifier 230 ◆◆F (110 °C) motor
<b>Ambient Air Temperature for Storage</b>	-13...158 °F (-25...70 °C)
<b>Operating altitude</b>	<= 3280.84 ft (1000 m) without derating

<b>Relative humidity</b>	15...85 % without condensation
<b>Vibration resistance</b>	20 m/s <sup>2</sup> 10...500 Hz) 10 cycles EN/IEC 60068-2-6
<b>Shock resistance</b>	150 m/s <sup>2</sup> 1000 shocks EN/IEC 60068-2-29
<b>IP degree of protection</b>	IP41 shaft bushing: conforming to EN/IEC 60034-5 IP54 total except shaft bushing: conforming to EN/IEC 60034-5

## Ordering and shipping details

<b>Category</b>	18288-LEXIUM INTEGRATED DRIVES II
<b>Discount Schedule</b>	PC56
<b>GTIN</b>	03389119225144
<b>Returnability</b>	No
<b>Country of origin</b>	DE

## Contractual warranty

<b>Warranty</b>	18 months
-----------------	-----------

## Sustainability

**Green Premium™ label** is Schneider Electric's commitment to delivering products with best-in-class environmental performance. Green Premium promises compliance with the latest regulations, transparency on environmental impacts, as well as circular and low-CO<sub>2</sub> products.

**Guide to assessing product sustainability** is a white paper that clarifies global eco-label standards and how to interpret environmental declarations.

[Learn more about Green Premium >](#)

[Guide to assess a product's sustainability >](#)



Transparency RoHS/REACH

## Well-being performance

Mercury Free

Rohs Exemption Information Yes

Pvc Free

## Certifications & Standards

Reach Regulation [REACH Declaration](#)

Eu Rohs Directive Pro-active compliance (Product out of EU RoHS legal scope)

China Rohs Regulation [China RoHS declaration](#)

Environmental Disclosure [Product Environmental Profile](#)

Weee The product must be disposed on European Union markets following specific waste collection and never end up in rubbish bins.

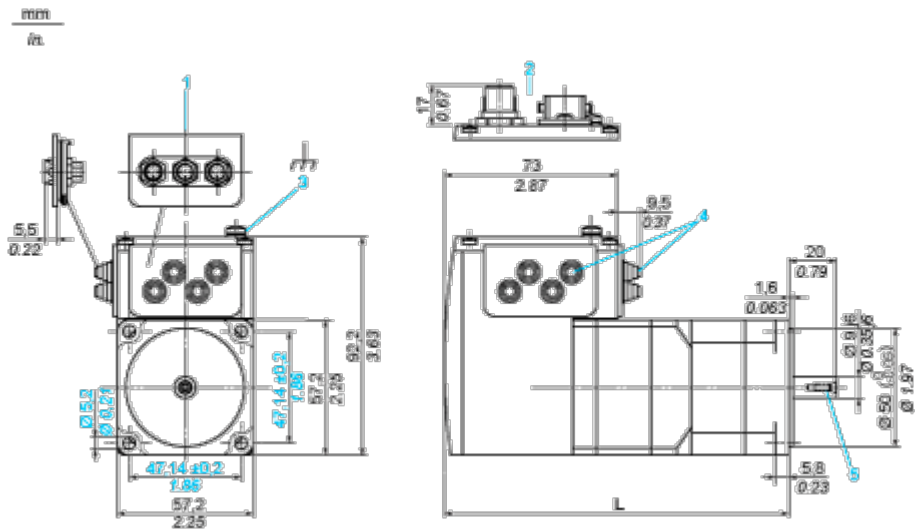
Circularity Profile [End of Life Information](#)

California Proposition 65 **WARNING:** This product can expose you to chemicals including: Lead and lead compounds, which is known to the State of California to cause cancer and birth defects or other reproductive harm. For more information go to [www.P65Warnings.ca.gov](http://www.P65Warnings.ca.gov)

Dimensions Drawings

Integrated Drive without Holding Brake

Dimensions

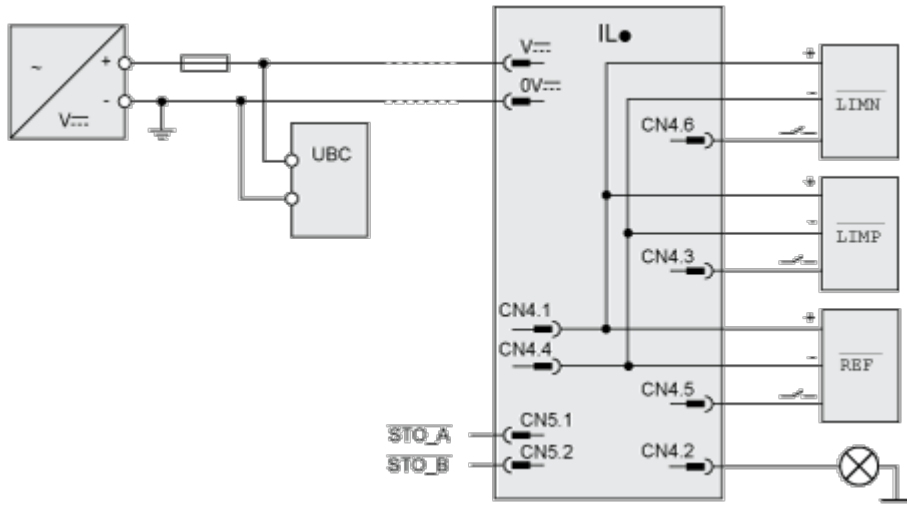


- 1 Accessories: I/O signal insert with industrial connectors
- 2 Option: industrial connectors
- 3 Earth (ground) terminal
- 4 Accessories: cable entries  $\varnothing = 3 \dots 9 \text{ mm} / 0.12 \dots 0.35 \text{ in.}$
- 5 Centring hole DIN 332 - DS M3
- L 145.3 mm/5.72 in.

Connections and Schema

Connection Example with 4 I/O Signals

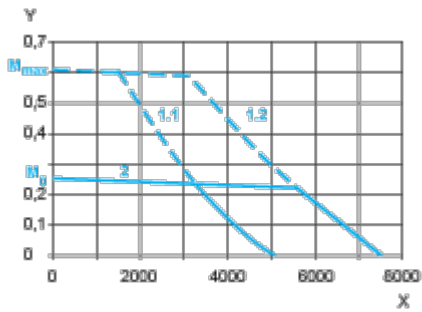
---



Performance Curves

Torque Characteristics

---



X Speed of rotation in rpm

Y Torque in Nm

1.1 Max. torque at 24 V

1.2 Max. torque at 36 V

2 Continuous torque