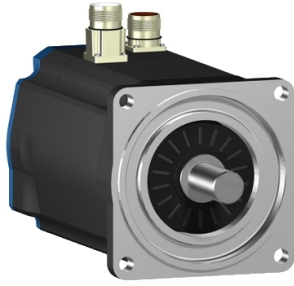


Product datasheet

Specifications



servo motor BSH, Lexium 05,
7.8N.m, 2500rpm, 100mm, keyed
shaft, Sincos single turn, with
brake, IP50, straight

BSH1003P11F1A

Main

Device short name	BSH
Product or component type	Servo motor
Maximum mechanical speed	6000 rpm
Continuous stall torque	<p>8 N.m for LXM32.D30N4 at 10 A, 400 V, three phase</p> <p>8 N.m for LXM32.D30N4 at 10 A, 480 V, three phase</p> <p>7.8 N.m for LXM05CD28M2, 200...240 V, single phase</p> <p>7.8 N.m for LXM05AD28M2, 200...240 V, single phase</p> <p>7.8 N.m for LXM05BD28M2, 200...240 V, single phase</p> <p>7.8 N.m for LXM05BD34N4, 380...480 V, three phase</p> <p>7.8 N.m for LXM05BD42M3X, 200...240 V, three phase</p> <p>7.8 N.m for LXM05CD34N4, 380...480 V, three phase</p> <p>7.8 N.m for LXM05CD42M3X, 200...240 V, three phase</p> <p>6.7 N.m for LXM15LD21M3, 230 V, three phase</p> <p>6.7 N.m for LXM15LD17N4, 230 V, three phase</p> <p>6.7 N.m for LXM15LD17N4, 400 V, three phase</p> <p>6.7 N.m for LXM15LD17N4, 480 V, three phase</p> <p>7.8 N.m for LXM15LD28M3, 230 V, three phase</p> <p>7.8 N.m for LXM15MD28N4, 400 V, three phase</p> <p>7.8 N.m for LXM15MD28N4, 480 V, three phase</p> <p>7.8 N.m for LXM15MD40N4, 400 V, three phase</p> <p>7.8 N.m for LXM15MD40N4, 480 V, three phase</p> <p>7.8 N.m for LXM05AD34N4, 380...480 V, three phase</p> <p>7.8 N.m for LXM05AD42M3X, 200...240 V, three phase</p>
Peak stall torque	<p>28.3 N.m for LXM32.D30N4 at 10 A, 400 V, three phase</p> <p>28.3 N.m for LXM32.D30N4 at 10 A, 480 V, three phase</p> <p>19.69 N.m for LXM05AD28M2, 200...240 V, single phase</p> <p>19.69 N.m for LXM05BD28M2, 200...240 V, single phase</p> <p>19.69 N.m for LXM05CD28M2, 200...240 V, single phase</p> <p>15.5 N.m for LXM15LD21M3, 230 V, three phase</p> <p>12.5 N.m for LXM15LD17N4, 230 V, three phase</p> <p>12.5 N.m for LXM15LD17N4, 400 V, three phase</p> <p>12.5 N.m for LXM15LD17N4, 480 V, three phase</p> <p>19.69 N.m for LXM15LD28M3, 230 V, three phase</p> <p>19.69 N.m for LXM15MD28N4, 400 V, three phase</p> <p>19.69 N.m for LXM15MD28N4, 480 V, three phase</p> <p>23.17 N.m for LXM15MD40N4, 400 V, three phase</p> <p>23.17 N.m for LXM15MD40N4, 480 V, three phase</p> <p>23.01 N.m for LXM05AD34N4, 380...480 V, three phase</p> <p>23.17 N.m for LXM05AD42M3X, 200...240 V, three phase</p> <p>23.01 N.m for LXM05BD34N4, 380...480 V, three phase</p> <p>23.17 N.m for LXM05BD42M3X, 200...240 V, three phase</p> <p>23.01 N.m for LXM05CD34N4, 380...480 V, three phase</p> <p>23.17 N.m for LXM05CD42M3X, 200...240 V, three phase</p>

Disclaimer: This documentation is not intended as a substitute for and is not to be used for determining suitability or reliability of these products for specific user applications

Nominal output power	2000 W for LXM32.D30N4 at 10 A, 400 V, three phase
	2600 W for LXM32.D30N4 at 10 A, 480 V, three phase
	1100 W for LXM05AD28M2, 200...240 V, single phase
	1100 W for LXM05BD28M2, 200...240 V, single phase
	1100 W for LXM05CD28M2, 200...240 V, single phase
	1100 W for LXM05AD42M3X, 200...240 V, three phase
	1100 W for LXM05BD42M3X, 200...240 V, three phase
	1100 W for LXM05CD42M3X, 200...240 V, three phase
	1300 W for LXM15LD28M3, 230 V, three phase
	1700 W for LXM15LD17N4, 230 V, three phase
	1700 W for LXM15LD21M3, 230 V, three phase
	1800 W for LXM05AD34N4, 380...480 V, three phase
	1800 W for LXM05BD34N4, 380...480 V, three phase
	1800 W for LXM05CD34N4, 380...480 V, three phase
	2000 W for LXM15MD28N4, 400 V, three phase
	2000 W for LXM15MD40N4, 400 V, three phase
	2200 W for LXM15LD17N4, 400 V, three phase
	2200 W for LXM15MD28N4, 480 V, three phase
	2200 W for LXM15MD40N4, 480 V, three phase
	2300 W for LXM15LD17N4, 480 V, three phase

Nominal torque	6.3 N.m for LXM32.D30N4 at 10 A, 400 V, three phase
	6.3 N.m for LXM32.D30N4 at 10 A, 480 V, three phase
	3.7 N.m for LXM15LD17N4, 480 V, three phase
	6.73 N.m for LXM05AD28M2, 200...240 V, single phase
	6.73 N.m for LXM05BD28M2, 200...240 V, single phase
	6.73 N.m for LXM05CD28M2, 200...240 V, single phase
	4.6 N.m for LXM15MD28N4, 480 V, three phase
	4.6 N.m for LXM15MD40N4, 480 V, three phase
	4.7 N.m for LXM15LD17N4, 400 V, three phase
	5 N.m for LXM15MD28N4, 400 V, three phase
	5 N.m for LXM15MD40N4, 400 V, three phase
	5.7 N.m for LXM05AD34N4, 380...480 V, three phase
	5.7 N.m for LXM05BD34N4, 380...480 V, three phase
	5.7 N.m for LXM05CD34N4, 380...480 V, three phase
	6 N.m for LXM15LD17N4, 230 V, three phase
	6 N.m for LXM15LD21M3, 230 V, three phase
	6.3 N.m for LXM15LD28M3, 230 V, three phase
	6.73 N.m for LXM05AD42M3X, 200...240 V, three phase
	6.73 N.m for LXM05BD42M3X, 200...240 V, three phase
	6.73 N.m for LXM05CD42M3X, 200...240 V, three phase

Nominal speed	3000 rpm for LXM32.D30N4 at 10 A, 400 V, three phase
	4000 rpm for LXM32.D30N4 at 10 A, 480 V, three phase
	4500 rpm for LXM15LD17N4, 400 V, three phase
	6000 rpm for LXM15LD17N4, 480 V, three phase
	1500 rpm for LXM05AD28M2, 200...240 V, single phase
	1500 rpm for LXM05BD28M2, 200...240 V, single phase
	1500 rpm for LXM05CD28M2, 200...240 V, single phase
	1500 rpm for LXM05AD42M3X, 200...240 V, three phase
	1500 rpm for LXM05BD42M3X, 200...240 V, three phase
	1500 rpm for LXM05CD42M3X, 200...240 V, three phase
	2000 rpm for LXM15LD28M3, 230 V, three phase
	2500 rpm for LXM15LD17N4, 230 V, three phase
	2500 rpm for LXM15LD21M3, 230 V, three phase
	3000 rpm for LXM05AD34N4, 380...480 V, three phase
	3000 rpm for LXM05BD34N4, 380...480 V, three phase
	3000 rpm for LXM05CD34N4, 380...480 V, three phase
	4000 rpm for LXM15MD28N4, 400 V, three phase
	4000 rpm for LXM15MD40N4, 400 V, three phase
	4500 rpm for LXM15MD28N4, 480 V, three phase
	4500 rpm for LXM15MD40N4, 480 V, three phase

Product compatibility	LXM05AD28M2 at 200...240 V single phase LXM05BD28M2 at 200...240 V single phase LXM05CD28M2 at 200...240 V single phase LXM15LD21M3 at 230 V three phase LXM05AD42M3X at 200...240 V three phase LXM05BD42M3X at 200...240 V three phase LXM05CD42M3X at 200...240 V three phase LXM15LD17N4 at 230 V three phase LXM15LD17N4 at 400 V three phase LXM15LD17N4 at 480 V three phase LXM15LD28M3 at 230 V three phase LXM05AD34N4 at 380...480 V three phase LXM05BD34N4 at 380...480 V three phase LXM05CD34N4 at 380...480 V three phase LXM15MD28N4 at 400 V three phase LXM15MD28N4 at 480 V three phase LXM15MD40N4 at 400 V three phase LXM15MD40N4 at 480 V three phase LXM32.D30N4 at 400 V three phase LXM32.D30N4 at 480 V three phase
Shaft end	Keyed
IP degree of protection	IP50 standard
Speed feedback resolution	131072 points/turn
Holding brake	With
mounting support	International standard flange
Electrical connection	Straight connectors

Complementary

Range compatibility	Lexium 05 Lexium 15 Lexium 32
supply voltage max	480 V
Network number of phases	Three phase
Continuous stall current	6.6 A
maximum continuous power	3.14 W
Maximum current Irms	28.3 A for LXM15LD21M3 28.3 A for LXM15LD28M3 28.3 A for LXM15LD17N4 28.3 A for LXM15MD28N4 28.3 A for LXM15MD40N4 28.3 A for LXM05AD28M2 28.3 A for LXM05AD42M3X 28.3 A for LXM05AD34N4 28.3 A for LXM05BD28M2 28.3 A for LXM05BD42M3X 28.3 A for LXM05BD34N4 28.3 A for LXM05CD28M2 28.3 A for LXM05CD42M3X 28.3 A for LXM05CD34N4 28.3 A for LXM32.D30N4
Maximum permanent current	28.3 A
Switching frequency	8 kHz
Second shaft	Without second shaft end
Shaft diameter	19 mm
Shaft length	40 mm
Key width	30 mm
Feedback type	Single turn SinCos Hiperface
Holding torque	9 N.m holding brake

Motor flange size	100 mm
Number of motor stacks	3
Torque constant	1.22 N.m/A at 120 °C
Back emf constant	77 V/krpm at 120 °C
Number of motor poles	8
Rotor inertia	3.838 kg.cm ²
Stator resistance	1.43 Ohm at 20 °C
Stator inductance	8.8 mH at 20 °C
Stator electrical time constant	6.15 ms at 20 °C
Maximum radial force Fr	1050 N at 1000 rpm 660 N at 4000 rpm 730 N at 3000 rpm 830 N at 2000 rpm
Maximum axial force Fa	0.2 x Fr
Brake pull-in power	18 W
Type of cooling	Natural convection
Length	271.5 mm
Centring collar diameter	95 mm
Centring collar depth	3.5 mm
Number of mounting holes	4
Mounting holes diameter	9 mm
Circle diameter of the mounting holes	115 mm
Net weight	8 kg

Packing Units

Unit Type of Package 1	PCE
Number of Units in Package 1	1
Package 1 Height	21.0 cm
Package 1 Width	18.0 cm
Package 1 Length	58.5 cm
Package 1 Weight	8.15 kg

Contractual warranty

Warranty	18 months
----------	-----------

Sustainability

Green Premium™ label is Schneider Electric's commitment to delivering products with best-in-class environmental performance. Green Premium promises compliance with the latest regulations, transparency on environmental impacts, as well as circular and low-CO₂ products.

Guide to assessing product sustainability is a white paper that clarifies global eco-label standards and how to interpret environmental declarations.

[Learn more about Green Premium >](#)

[Guide to assess a product's sustainability >](#)



Transparency RoHS/REACH

Well-being performance

Mercury Free

Rohs Exemption Information [Yes](#)

Pvc Free

Certifications & Standards

Eu Rohs Directive Pro-active compliance (Product out of EU RoHS legal scope)

China Rohs Regulation [China RoHS declaration](#)

Environmental Disclosure [Product Environmental Profile](#)

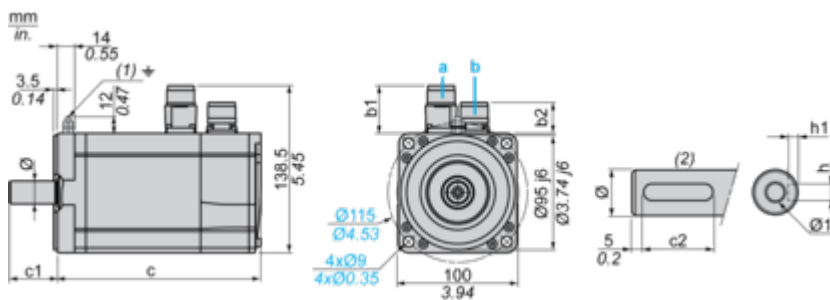
Weee The product must be disposed on European Union markets following specific waste collection and never end up in rubbish bins

Circularity Profile No need of specific recycling operations

Dimensions Drawings

Servo Motors Dimensions

Example with Straight Connectors



- a: Power supply for servo motor brake
- b: Power supply for servo motor encoder
- (1) M4 screw
- (2) Shaft end, keyed slot (optional)

Dimensions in mm

Straight connectors		Rotatable angled connectors		c (without brake)	c (with brake)	c1	c2	h	h1	Ø	Ø1 for screws
b1	b2	b1	b2								
39.5	25.5	39.5	39.5	241	272	40	30	6 N9	3.5 ^{+0.1} ₀	19 k6	M6 x 16

Dimensions in in.

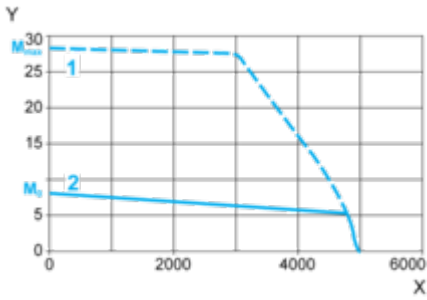
Straight connectors		Rotatable angled connectors		c (without brake)	c (with brake)	c1	c2	h	h1	Ø	Ø1 for screws
b1	b2	b1	b2								
1.55	1.00	1.55	1.55	9.48	10.70	1.57	1.18	0.24 N9	0.14 ^{+0.1} ₀	0.75 k6	M6 x 0.63

Performance Curves

400 V 3-Phase Supply Voltage

Torque/Speed Curves

Servo motor with LXM32-D30N4 servo drive



X Speed in rpm

Y Torque in Nm

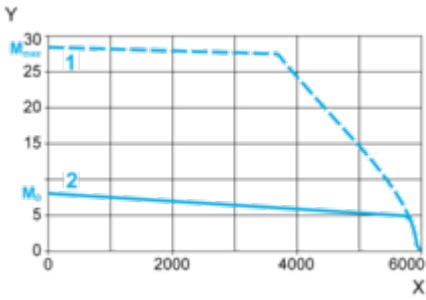
1 Peak torque

2 Continuous torque

480 V 3-Phase Supply Voltage

Torque/Speed Curves

Servo motor with LXM32•D30N4 servo drive



X Speed in rpm

Y Torque in Nm

1 Peak torque

2 Continuous torque