

Product data sheet

Specifications



soft starter for asynchronous motor,
Altistart 48, 302A, 208..690V,
75..315kW

ATS48C32Y

! Discontinued

! Discontinued on: Aug 7, 2023

! To be end-of-service on: Dec 31, 2030

Product availability: Non-Stock - Not normally stocked in distribution facility

Main

Range Of Product	Altistart 48
Product Or Component Type	Soft starter
Product Destination	Asynchronous motors
Product Specific Application	Heavy duty industry and pumps
Device Short Name	ATS48
Utilisation Category	AC-53A
Ue Power Supply Voltage	208...690 V - 15...10 %
Power Supply Frequency	50...60 Hz - 5...5 %
Motor Power Kw	132 kW 400 V for severe applications 132 kW 440 V for severe applications 160 kW 400 V for standard applications 160 kW 440 V for standard applications 160 kW 500 V for severe applications 160 kW 525 V for severe applications 220 kW 500 V for standard applications 220 kW 525 V for standard applications 220 kW 660 V for severe applications 250 kW 660 V for standard applications 250 kW 690 V for severe applications 315 kW 690 V for standard applications 75 kW 230 V for severe applications 90 kW 230 V for standard applications
Maximum Horse Power Rating	100 hp 208 V for standard applications 100 hp 230 V for severe applications 125 hp 230 V for standard applications 200 hp 460 V for severe applications 250 hp 460 V for standard applications 250 hp 575 V for severe applications 300 hp 575 V for standard applications 75 hp 208 V for severe applications

Complementary

Device Connection	In the motor supply line
Protection Type	Phase failure line Thermal protection motor Thermal protection starter
Standards	EN/IEC 60947-4-2

Price is "List Price" and may be subject to a trade discount – check with your local distributor or retailer for actual price.

Product Certifications	C-tick NOM 117 SEPRO CSA UL CCC TCF DNV GOST
Marking	CE
Discrete Input Number	5
Discrete Input Type	PTC, 750 Ohm 77 °F (25 °C) Stop, Run, LI3, LI4) logic, <= 8 mA 4300 Ohm
Discrete Input Logic	Positive logic Stop, Run, LI3, LI4 < 5 V <= 2 mA > 11 V, >= 5 mA
Minimum Switching Current	10 mA 6 V DC relay outputs
Discrete Output Number	2
Discrete Output Type	LO1) logic output 0 V common configurable LO2) logic output 0 V common configurable R1) relay outputs fault relay NO R2) relay outputs end of starting relay NO R3) relay outputs motor powered NO
Analogue Output Type	Current output AO 0-20 mA or 4-20 mA 500 Ohm
Communication Port Protocol	Modbus
Connector Type	1 RJ45
Communication Data Link	Serial
Physical Interface	RS485 multidrop
Transmission Rate	4800, 9600 or 19200 bps
Function Available	External bypass (optional)
Operating Position	Vertical +/- 10 degree
Height	14.96 in (380 mm)
Width	12.60 in (320 mm)
Depth	10.43 in (265 mm)
Net Weight	40.12 lb(US) (18.2 kg)

Environment

Electromagnetic Compatibility	Conducted and radiated emissions level A IEC 60947-4-2 Damped oscillating waves level 3 IEC 61000-4-12 Electrostatic discharge level 3 IEC 61000-4-2 Immunity to electrical transients level 4 IEC 61000-4-4 Immunity to radiated radio-electrical interference level 3 IEC 61000-4-3 Voltage/current impulse level 3 IEC 61000-4-5
Relative Humidity	0...95 % without condensation or dripping water EN/IEC 60068-2-3
Ambient Air Temperature For Operation	104...140 °F (40...60 °C) with current derating of 2 % per °C 14...104 °F (-10...40 °C) without derating)
Ambient Air Temperature For Storage	-13...158 °F (-25...70 °C)
Operating Altitude	<= 3280.84 ft (1000 m) without derating > 3280.84...6561.68 ft (> 1000...2000 m) with current derating of 2.2 % per additional 100 m

Ordering and shipping details

Category	US1CP1G22579
-----------------	--------------

Discount Schedule	CP1G
Gtin	3389110982442
Returnability	Yes
Country Of Origin	FR

Packing Units

Unit Type Of Package 1	PCE
Number Of Units In Package 1	1
Package 1 Height	29.53 in (75.000 cm)
Package 1 Width	23.62 in (60.000 cm)
Package 1 Length	31.50 in (80.000 cm)
Package 1 Weight	72.75 lb(US) (33.000 kg)

Contractual warranty

Warranty	18 months
----------	-----------

Sustainability


Green Premium™ label is Schneider Electric's commitment to delivering products with best-in-class environmental performance. Green Premium promises compliance with the latest regulations, transparency on environmental impacts, as well as circular and low-CO₂ products.

Guide to assessing product sustainability is a white paper that clarifies global eco-label standards and how to interpret environmental declarations.

[Learn more about Green Premium >](#)

[Guide to assess a product's sustainability >](#)

Well-being performance

 Mercury Free

 Rohs Exemption Information [Yes](#)

Reach Regulation [REACH Declaration](#)

Eu Rohs Directive Pro-active compliance (Product out of EU RoHS legal scope)

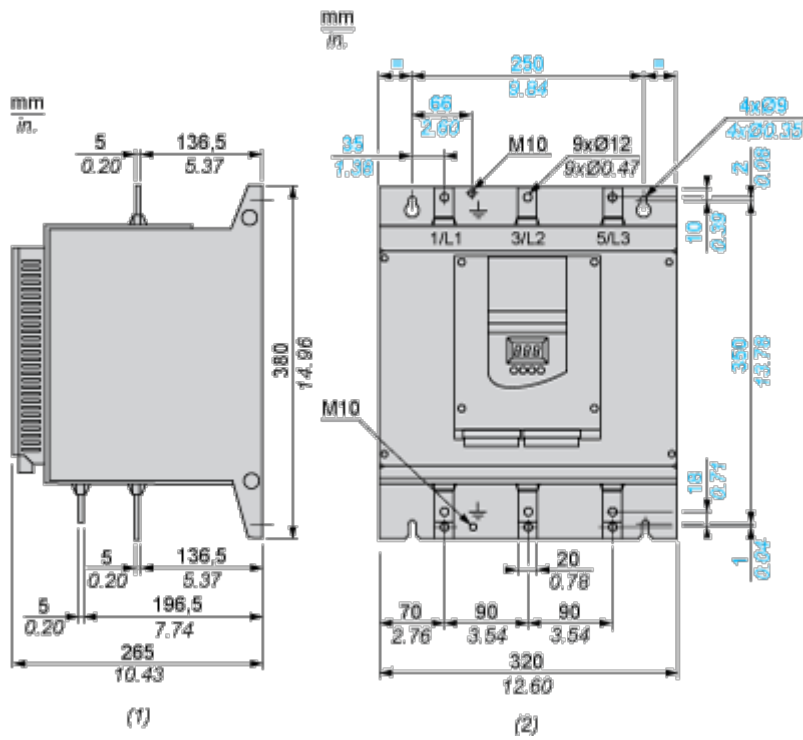
China Rohs Regulation [China RoHS declaration](#)

Weee The product must be disposed on European Union markets following specific waste collection and never end up in rubbish bins.

California Proposition 65 WARNING: This product can expose you to chemicals including: Lead and lead compounds, which is known to the State of California to cause cancer and birth defects or other reproductive harm. For more information go to www.P65Warnings.ca.gov

Dimensions Drawings

Dimensions



(1) Right View
(2) Front View

Mounting and Clearance

Clearance

