

Product datasheet

Specifications



Head for joystick controller,
Harmony 9001K, metal, 30mm, 2
directions, stay put

9001K73

Main

Range Of Product	Harmony 9001K
Product Or Component Type	Head for joystick controller
Device Short Name	9001K
Sale Per Indivisible Quantity	1
Type Of Operator	stay put
Operator Profile	80 mm long operating shaft

Complementary

Bezel Material	Metal
Mounting Diamete	30 mm
Net Weight	0.372 kg
Operating Position	Any position
Shape Of Signaling Unit Head	Octagonal
Contacts Type And Composition	Without contact block
Device Presentation	Basic element
Operator Direction Information	2 directions
Type Of Operator	Stay put
Size	30 mm

Environment

Protective Treatment	TC
Ambient Air Temperature For Storage	-40...70 °C
Ambient Air Temperature For Operation	-25...70 °C
Overvoltage Category	II conforming to IEC 61140
Ip Degree Of Protection	IP66 conforming to IEC 60529
Nema Degree Of Protection	NEMA 1 NEMA 12 NEMA 13 NEMA 2 NEMA 3 NEMA 3R NEMA 4

Standards	JIS C8201-5-1 IEC 60947-5-1 UL 508 IEC 60947-1 CSA C22.2 No 14 JIS C 852 IEC 60947-5-4 JIS C8201-1
Product Certifications	NEMA UL 508
Vibration Resistance	7 gn (f= 2...500 Hz) conforming to IEC 60068-2-6
Shock Resistance	50 gn conforming to IEC 60068-2-27

Packing Units

Unit Type Of Package 1	PCE
Number Of Units In Package 1	1
Package 1 Height	4.1 cm
Package 1 Width	5.1 cm
Package 1 Length	13.3 cm
Package 1 Weight	240.0 g

Contractual warranty

Warranty	18 months
-----------------	-----------

Sustainability

Green Premium™ label is Schneider Electric's commitment to delivering products with best-in-class environmental performance. Green Premium promises compliance with the latest regulations, transparency on environmental impacts, as well as circular and low-CO₂ products.

Guide to assessing product sustainability is a white paper that clarifies global eco-label standards and how to interpret environmental declarations.

[Learn more about Green Premium >](#)

[Guide to assess a product's sustainability >](#)

Well-being performance

 Mercury Free

 Rohs Exemption Information [Yes](#)

Reach Regulation [REACH Declaration](#)

Eu Rohs Directive Pro-active compliance (Product out of EU RoHS legal scope)

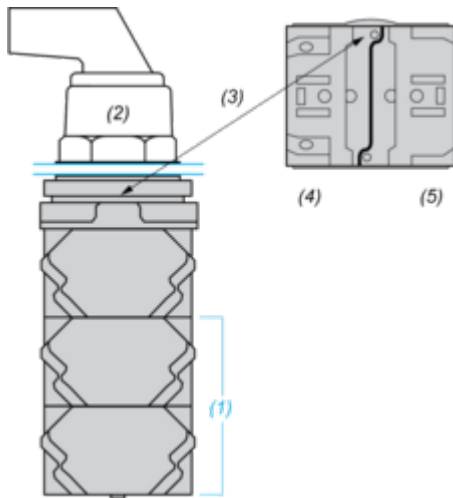
China Rohs Regulation [China RoHS declaration](#)

Weee The product must be disposed on European Union markets following specific waste collection and never end up in rubbish bins

Mounting and Clearance

Contact Block Mounting Position

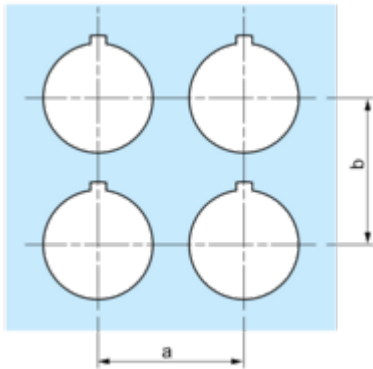
Top and Rear views



- (1) It is possible to mount up to 3 levels of contacts blocks (maximum of 6 contacts blocks)
- (2) Operator
- (3) Locating notch
- (4) Side 1
- (5) Side 2

Panel Cut-Out

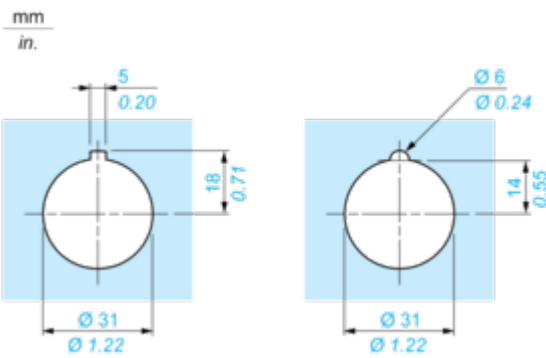
Clearance



Legend plate	a min.		b min.	
	mm	in.	mm	in.
9001KN2••	57.2	2.25	44.5	1.75
9001KN3••	57.2	2.25	50.8	2.00

Individual Cut-outs Details

2 alternatives



Technical Description

Joystick Positions

