

5022643

<https://www.phoenixcontact.com/us/products/5022643>

Please be informed that the data shown in this PDF document is generated from our online catalog. Please find the complete data in the user documentation. Our general terms of use for downloads are valid.



Cover profile, for covering terminal strips, snaps onto cover profile carrier AP 3-TU, AP 3-TNS 35, can be marked with insert strip AP-ES. Cover profile carriers should be placed at the ends and at intervals of approx. 40 cm. Length: 1 m

Commercial data

Item number	5022643
Packing unit	14 m
Sales key	BE06
Product key	BE61ZX
Catalog page	Page 546 (C-3-2019)
GTIN	4017918095246
Weight per piece (including packing)	401.24 g
Weight per piece (excluding packing)	401.24 g
Customs tariff number	39162000
Country of origin	DE

5022643

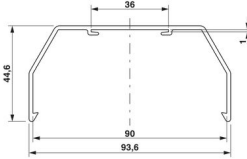
<https://www.phoenixcontact.com/us/products/5022643>

Technical data

Product properties

Product type	Cover profile
--------------	---------------

Dimensions

Dimensional drawing	
Width	93.5 mm
Height	1000 mm
Depth	44.5 mm
Length	1000 mm

Material specifications

Color	transparent
Material	PVC
Flammability rating according to UL 94	V0

Environmental and real-life conditions

Ambient conditions

Ambient temperature (operation)	-15 °C ... 65 °C
---------------------------------	------------------

Phoenix Contact 2024 © - all rights reserved
<https://www.phoenixcontact.com>

Phoenix Contact USA
586 Fulling Mill Road
Middletown, PA 17057, United States
(+717) 944-1300
info@phoenixcon.com