



locking device made of metal, for selector switch, 22 mm, short or long handle, Operation in center and to the left possible, not possible to the right

product brand name	SIRIUS ACT
product designation	Locking device
design of the product	for selectors (short/long actuator), window from center to left, blocked on right
product type designation	3SU1

General technical data

protection class IP	IP66, IP67, IP69(IP69K)
Substance Prohibitance (Date)	10/01/2014

Installation/ mounting/ dimensions

height	47.5 mm
width	47 mm
depth	21.1 mm

Accessories

material of accessory	Metal
color of accessory	Silver

Certificates/ approvals

General Product Approval	Declaration of Conformity
--------------------------	---------------------------



[Confirmation](#)



Test Certificates **Marine / Shipping**

[Type Test Certificates/Test Report](#)



other

[Confirmation](#)

[Environmental Confirmations](#)

Further information

Information- and Downloadcenter (Catalogs, Brochures,...)

<https://www.siemens.com/ic10>

Industry Mall (Online ordering system)

<https://mall.industry.siemens.com/mall/en/en/Catalog/product?mlfb=3SU1950-0DU80-0AA0>

Cax online generator

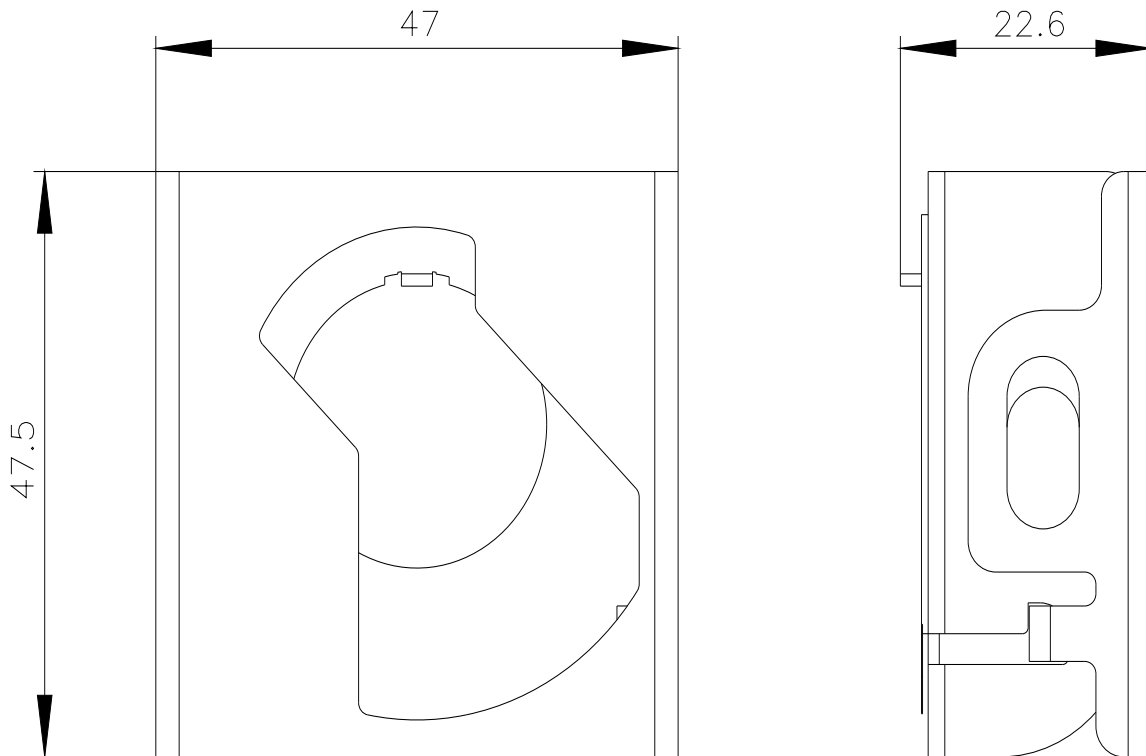
<http://support.automation.siemens.com/WW/CAXorder/default.aspx?lang=en&mlfb=3SU1950-0DU80-0AA0>

Service&Support (Manuals, Certificates, Characteristics, FAQs,...)

<https://support.industry.siemens.com/cs/ww/en/ps/3SU1950-0DU80-0AA0>

Image database (product images, 2D dimension drawings, 3D models, device circuit diagrams, EPLAN macros, ...)

http://www.automation.siemens.com/bilddb/cax_de.aspx?mlfb=3SU1950-0DU80-0AA0&lang=en



last modified:

2/12/2021 