

locking device made of metal, for activated pushbutton 22 mm, with raised pushbutton,

product brand name	SIRIUS ACT
product designation	Locking device
design of the product	for pushbuttons, raised
product type designation	3SU1

General technical data

protection class IP	IP66, IP67, IP69(IP69K)
Substance Prohibittance (Date)	10/01/2014

Installation/ mounting/ dimensions

height	43.1 mm
width	47 mm
depth	25.1 mm

Accessories

material of accessory	Metal
color of accessory	Silver

Certificates/ approvals

General Product Approval	Declaration of Conformity
--------------------------	---------------------------



[Confirmation](#)



Test Certificates **Marine / Shipping**

[Type Test Certificates/Test Report](#)



other

[Confirmation](#)

[Environmental Confirmations](#)

Further information

Information- and Downloadcenter (Catalogs, Brochures,...)

<https://www.siemens.com/ic10>

Industry Mall (Online ordering system)

<https://mall.industry.siemens.com/mall/en/en/Catalog/product?mfb=3SU1950-0DN80-0AA0>

Cax online generator

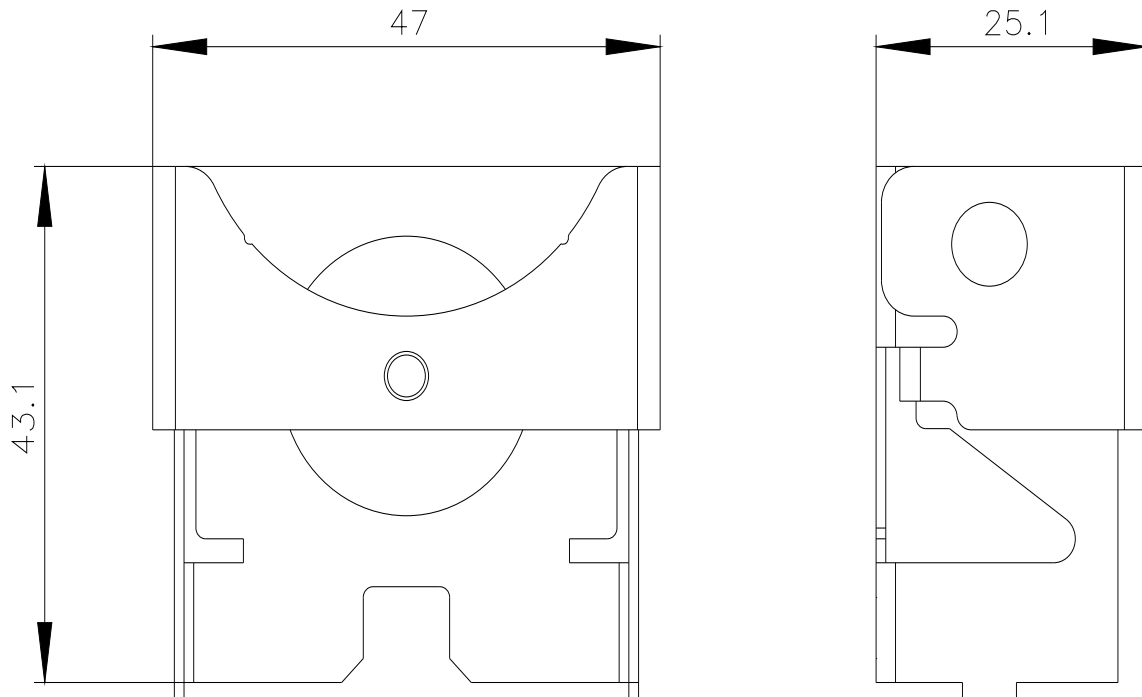
<http://support.automation.siemens.com/WW/CAXorder/default.aspx?lang=en&mfb=3SU1950-0DN80-0AA0>

Service&Support (Manuals, Certificates, Characteristics, FAQs,...)

<https://support.industry.siemens.com/cs/ww/en/ps/3SU1950-0DN80-0AA0>

Image database (product images, 2D dimension drawings, 3D models, device circuit diagrams, EPLAN macros, ...)

http://www.automation.siemens.com/bilddb/cax_de.aspx?mfb=3SU1950-0DN80-0AA0&lang=en



last modified:

2/12/2021 