



Printed circuit board holder, with screw, for mounting the command devices with the printed circuit board

product brand name	SIRIUS ACT
product designation	PCB carrier
product type designation	3SU1
Substance Prohibitance (Date)	10/01/2014

Ambient conditions

ambient temperature	
<ul style="list-style-type: none"> during operation during storage and transport 	<p>-25 ... +70 °C</p> <p>-40 ... +80 °C</p>

Installation/ mounting/ dimensions

height	30.2 mm
width	9.8 mm
mounting height	23 mm

Accessories

material of accessory	Plastic
color of accessory	black

Certificates/ approvals

General Product Approval	Declaration of Conformity
--------------------------	---------------------------



[Confirmation](#)



Test Certificates Marine / Shipping

[Type Test Certificates/Test Report](#)



other

[Confirmation](#)

[Environmental Confirmations](#)

Further information

Information- and Downloadcenter (Catalogs, Brochures,...)

<https://www.siemens.com/ic10>

Industry Mall (Online ordering system)

<https://mall.industry.siemens.com/mall/en/en/Catalog/product?mlfb=3SU1900-0KA10-0AA0>

Cax online generator

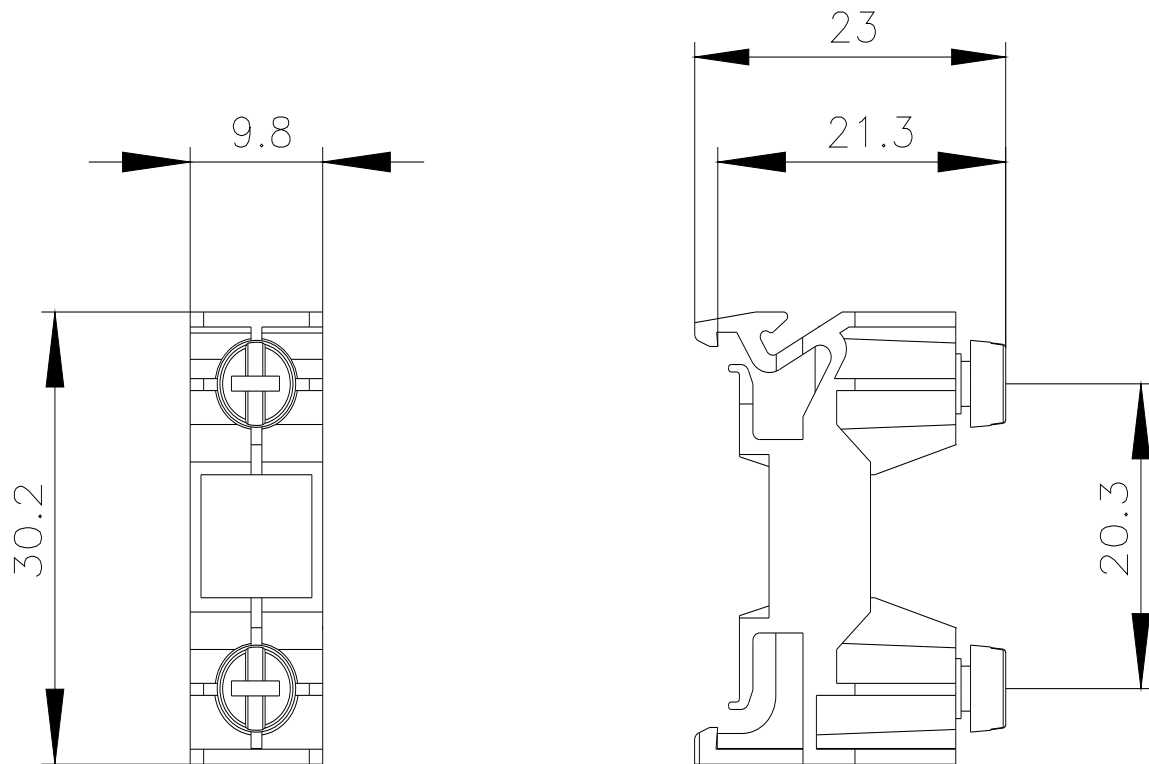
<http://support.automation.siemens.com/WW/CAXorder/default.aspx?lang=en&mlfb=3SU1900-0KA10-0AA0>

Service&Support (Manuals, Certificates, Characteristics, FAQs,...)

<https://support.industry.siemens.com/cs/ww/en/ps/3SU1900-0KA10-0AA0>

Image database (product images, 2D dimension drawings, 3D models, device circuit diagrams, EPLAN macros, ...)

http://www.automation.siemens.com/bilddb/cax_de.aspx?mlfb=3SU1900-0KA10-0AA0&lang=en



last modified:

3/29/2022 