

metric screw connection M20 with hexagon nut for enclosure



| | |
|---|---|
| product brand name | SIRIUS ACT |
| product designation | Metric cable gland |
| design of the product | M20 for round cable and enclosures with 1 to 3 command points |
| product type designation | 3SU1 |
| Enclosure | |
| cable sheath diameter connectable | 5 ... 12 mm |
| General technical data | |
| protection class IP | IP66, IP67, IP69(IP69K) |
| Substance Prohibitance (Date) | 10/01/2014 |
| Ambient conditions | |
| ambient temperature | |
| • during operation | -25 ... +70 °C |
| • during storage and transport | -40 ... +80 °C |
| Installation/ mounting/ dimensions | |
| height | 29.7 mm |
| width | 29.7 mm |
| mounting height | 31 mm |
| installation depth | 13 mm |
| Accessories | |
| material of accessory | Plastic |
| color of accessory | black |
| Certificates/ approvals | |
| General Product Approval | Declaration of Conformity |



[Confirmation](#)



| | |
|-------------------|-------------------|
| Test Certificates | Marine / Shipping |
|-------------------|-------------------|

[Type Test Certificates/Test Report](#)

[Special Test Certificate](#)



| | |
|-------------------|-------|
| Marine / Shipping | other |
|-------------------|-------|



Further information

Information- and Downloadcenter (Catalogs, Brochures,...)

<https://www.siemens.com/ic10>

Industry Mall (Online ordering system)

<https://mall.industry.siemens.com/mall/en/en/Catalog/product?mlfb=3SU1900-0HG10-0AA0>

Cax online generator

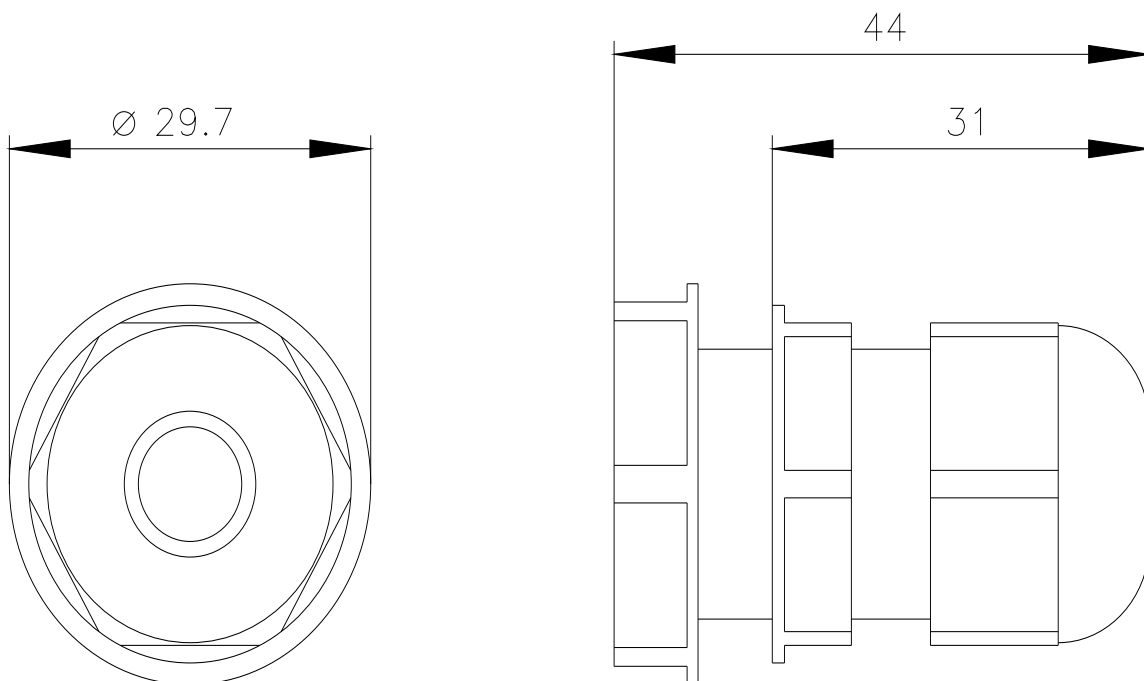
<http://support.automation.siemens.com/WW/CAXorder/default.aspx?lang=en&mlfb=3SU1900-0HG10-0AA0>

Service&Support (Manuals, Certificates, Characteristics, FAQs,...)

<https://support.industry.siemens.com/cs/ww/en/ps/3SU1900-0HG10-0AA0>

Image database (product images, 2D dimension drawings, 3D models, device circuit diagrams, EPLAN macros, ...)

http://www.automation.siemens.com/bilddb/cax_de.aspx?mlfb=3SU1900-0HG10-0AA0&lang=en



last modified:

3/30/2022