



Sealable cap for pushbutton, raised, 22 mm, front ring, raised, castellated, clear

product brand name	SIRIUS ACT
product designation	Sealable cap
design of the product	for pushbuttons with extended stroke
product type designation	3SU1

General technical data

protection class IP	IP66, IP67, IP69(IP69K)
degree of protection NEMA rating	1, 2, 3, 3R, 4, 4X, 12
Substance Prohibitance (Date)	10/01/2014

Installation/ mounting/ dimensions

height	39.2 mm
width	32.5 mm
depth	36.2 mm

Accessories

material of accessory	Plastic
color of accessory	clear

Certificates/ approvals

General Product Approval	Declaration of Conformity
--------------------------	---------------------------



[Confirmation](#)



Test Certificates Marine / Shipping

[Type Test Certificates/Test Report](#)



other

[Environmental Confirmations](#)

[Confirmation](#)

Further information

Information- and Downloadcenter (Catalogs, Brochures,...)

<https://www.siemens.com/ic10>

Industry Mall (Online ordering system)

<https://mall.industry.siemens.com/mall/en/en/Catalog/product?mlfb=3SU1900-0EL70-0AA0>

Cax online generator

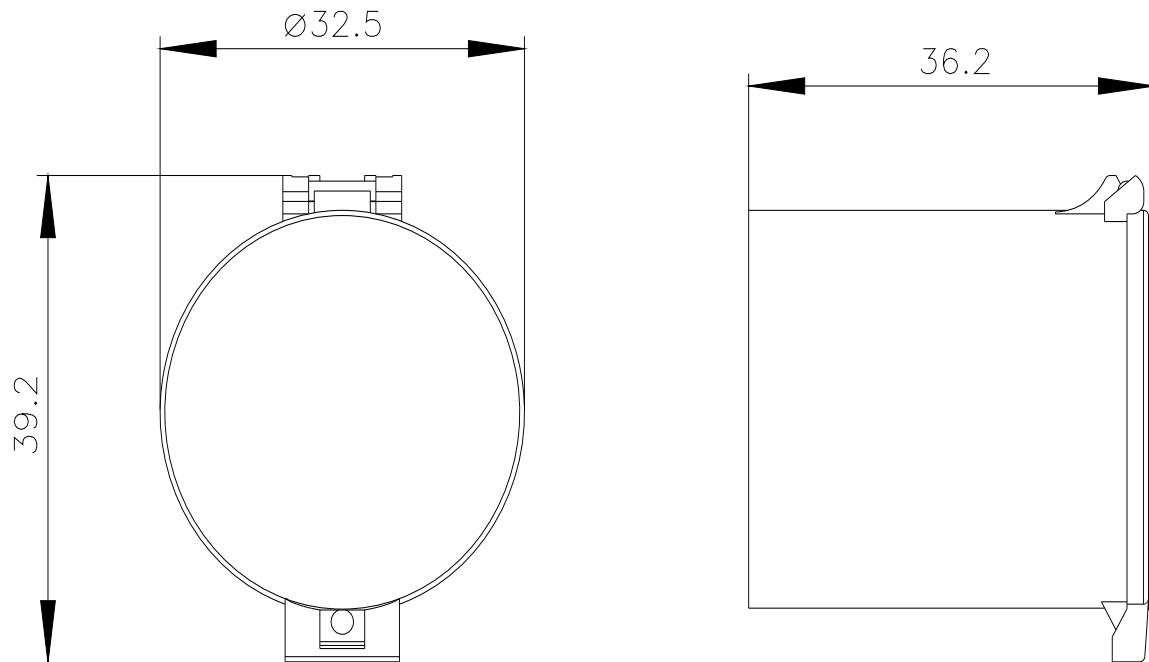
<http://support.automation.siemens.com/WW/CAXorder/default.aspx?lang=en&mlfb=3SU1900-0EL70-0AA0>

Service&Support (Manuals, Certificates, Characteristics, FAQs,...)

<https://support.industry.siemens.com/cs/ww/en/ps/3SU1900-0EL70-0AA0>

Image database (product images, 2D dimension drawings, 3D models, device circuit diagrams, EPLAN macros, ...)

http://www.automation.siemens.com/bilddb/cax_de.aspx?mlfb=3SU1900-0EL70-0AA0&lang=en



last modified:

12/21/2020 