



Sealable cap for pushbutton, raised, 22 mm, front ring, raised, castellated, black

|                          |                                      |
|--------------------------|--------------------------------------|
| product brand name       | SIRIUS ACT                           |
| product designation      | Sealable cap                         |
| design of the product    | for pushbuttons with extended stroke |
| product type designation | 3SU1                                 |

**General technical data**

|                                  |                         |
|----------------------------------|-------------------------|
| protection class IP              | IP66, IP67, IP69(IP69K) |
| degree of protection NEMA rating | 1, 2, 3, 3R, 4, 4X, 12  |
| Substance Prohibitance (Date)    | 10/01/2014              |

**Installation/ mounting/ dimensions**

|        |         |
|--------|---------|
| height | 39.2 mm |
| width  | 32.5 mm |
| depth  | 36.2 mm |

**Accessories**

|                       |         |
|-----------------------|---------|
| material of accessory | Plastic |
| color of accessory    | black   |

**Certificates/ approvals**

|                          |                           |
|--------------------------|---------------------------|
| General Product Approval | Declaration of Conformity |
|--------------------------|---------------------------|



[Confirmation](#)



**Test Certificates**      **Marine / Shipping**

[Type Test Certificates/Test Report](#)



**other**

[Confirmation](#)

[Environmental Confirmations](#)

## Further information

Information- and Downloadcenter (Catalogs, Brochures,...)

<https://www.siemens.com/ic10>

Industry Mall (Online ordering system)

<https://mall.industry.siemens.com/mall/en/en/Catalog/product?mlfb=3SU1900-0EL10-0AA0>

Cax online generator

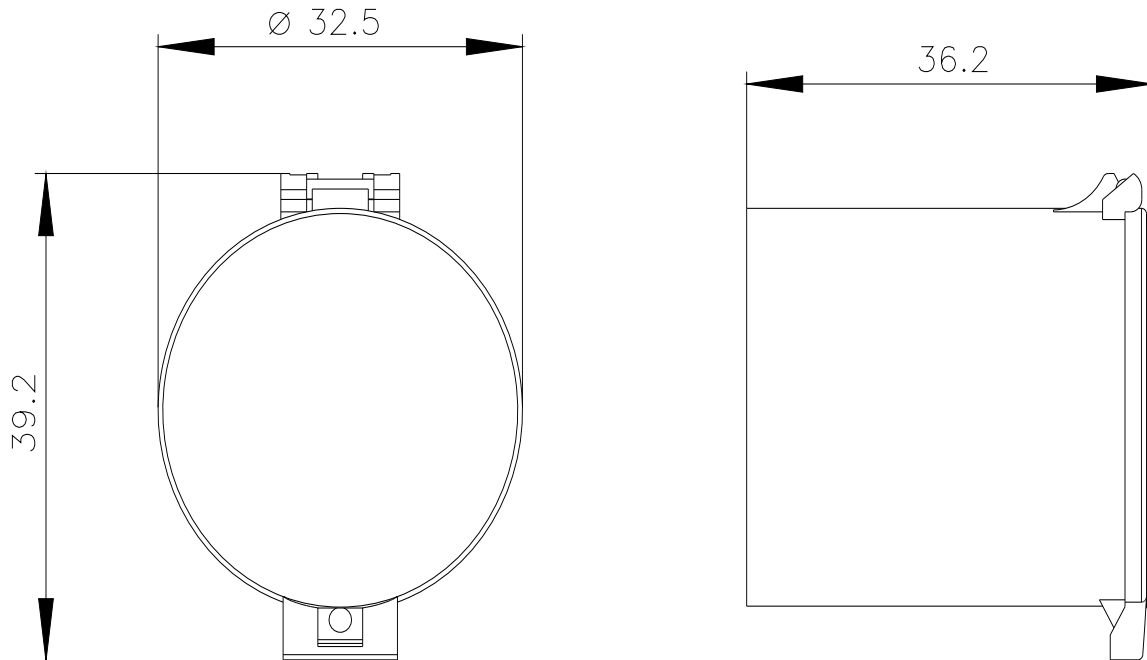
<http://support.automation.siemens.com/WW/CAXorder/default.aspx?lang=en&mlfb=3SU1900-0EL10-0AA0>

Service&Support (Manuals, Certificates, Characteristics, FAQs,...)

<https://support.industry.siemens.com/cs/ww/en/ps/3SU1900-0EL10-0AA0>

Image database (product images, 2D dimension drawings, 3D models, device circuit diagrams, EPLAN macros, ...)

[http://www.automation.siemens.com/bilddb/cax\\_de.aspx?mlfb=3SU1900-0EL10-0AA0&lang=en](http://www.automation.siemens.com/bilddb/cax_de.aspx?mlfb=3SU1900-0EL10-0AA0&lang=en)



last modified:

12/21/2020 