



RONIS key-operated switch, 22 mm, round, plastic with metal front ring, lock number SB30, with 2 keys, 3 switch positions I>O<II, momentary contact on the left, latching on the right, actuating angle 2x45°, 10:30h/12h/13:30h, key removal O, possible special locks: SB31, 421, 455

| | |
|--|--|
| product brand name | SIRIUS ACT |
| product designation | Key-operated switches |
| design of the product | Actuating/signaling element |
| product type designation | 3SU1 |
| product line | Plastic with metal front ring, matt, 22 mm |
| manufacturer's article number of included key | 3SU1950-0FB80-0AA0 |
| Actuator | |
| principle of operation of the actuating element | momentary contact/latching, 2x45° (10:30 h/12 h/13:30 h), return from left, right latching |
| product extension optional light source | No |
| color | |
| • of the actuating element | silver |
| material of the actuating element | metal |
| shape of the actuating element | Key |
| outer diameter of the actuating element | 29.5 mm |
| number of switching positions | 3 |
| switch position for key distraction | O |
| actuating angle | |
| • clockwise | 45° |
| • anticlockwise | 45° |
| lock make | RONIS |
| key number | SB30 |
| Front ring | |
| product component front ring | Yes |
| design of the front ring | Standard |
| material of the front ring | Metal, matt |
| color of the front ring | sand gray |
| General technical data | |
| protection class IP | IP66, IP67, IP69(IP69K) |
| • of the terminal | IP20 |
| degree of protection NEMA rating | 1, 2, 3, 3R, 4, 4X, 12, 13 |
| shock resistance | |
| • according to IEC 60068-2-27 | sinusoidal half-wave 15g / 11 ms |
| • for railway applications according to EN 61373 | Category 1, Class B |
| vibration resistance | |
| • according to IEC 60068-2-6 | 10 ... 500 Hz: 5g |
| • for railway applications according to EN 61373 | Category 1, Class B |
| operating frequency maximum | 1 800 1/h |
| mechanical service life (operating cycles) typical | 1 000 000 |
| reference code according to IEC 81346-2 | S |
| Substance Prohibitance (Date) | 10/01/2014 |

Ambient conditions

ambient temperature

- during operation
- during storage

-25 ... +70 °C

-40 ... +80 °C

environmental category during operation according to IEC 60721

3M6, 3S2, 3B2, 3C3, 3K6 (with relative air humidity of 10 ... 95%)

Installation/ mounting/ dimensions

height

29.5 mm

width

29.5 mm

shape of the installation opening

round

mounting diameter

22.3 mm

positive tolerance of installation diameter

0.4 mm

mounting height

49.4 mm

installation width

29.5 mm

installation depth

25.4 mm

Certificates/ approvals

General Product Approval

Declaration of Conformity



[Confirmation](#)



EG-Konf.

Test Certificates

Marine / Shipping

[Type Test Certificates/Test Report](#)

[Special Test Certificate](#)



LRS



PRS



RINA

Marine / Shipping

other



[Confirmation](#)

Further information

Information on the packaging

<https://support.industry.siemens.com/cs/ww/en/view/109813875>

Information- and Downloadcenter (Catalogs, Brochures,...)

<https://www.siemens.com/ic10>

Industry Mall (Online ordering system)

<https://mall.industry.siemens.com/mall/en/en/Catalog/product?mlfb=3SU1030-4BP01-0AA0>

Cax online generator

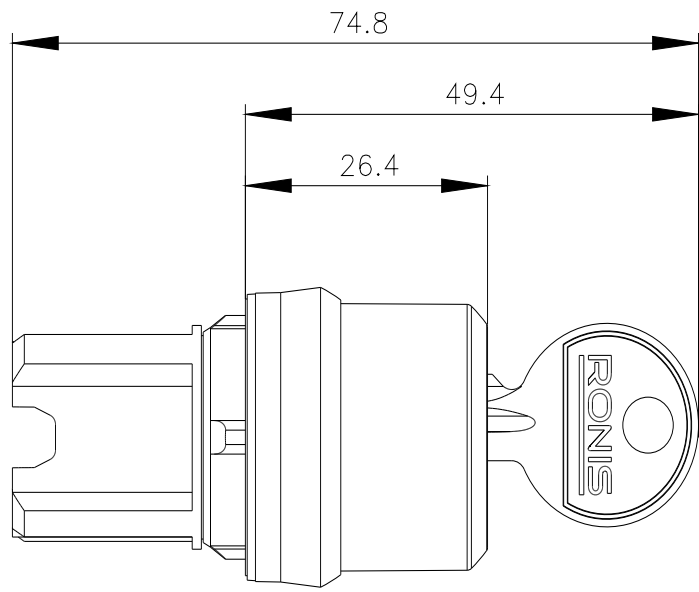
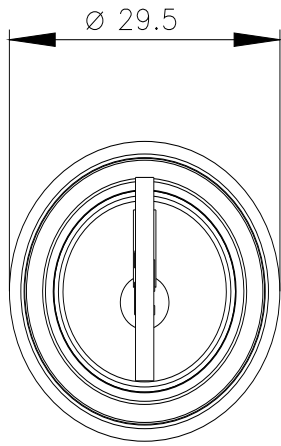
<http://support.automation.siemens.com/WW/CAXorder/default.aspx?lang=en&mlfb=3SU1030-4BP01-0AA0>

Service&Support (Manuals, Certificates, Characteristics, FAQs,...)

<https://support.industry.siemens.com/cs/ww/en/ps/3SU1030-4BP01-0AA0>

Image database (product images, 2D dimension drawings, 3D models, device circuit diagrams, EPLAN macros, ...)

http://www.automation.siemens.com/bilddb/cax_de.aspx?mlfb=3SU1030-4BP01-0AA0&lang=en



last modified:

1/26/2022 