



Safety position switch with tumbler Locking force 1300 N 5 directions of approaches Solenoid-locked Magnet voltage 230 V AC Monitoring actuator 2 NC/1 NO Monitoring magnet 2 NC/1 NO The matching separate Actuator 3SE5000-0AV0 must be ordered separately

product brand name  
 product designation  
 design of the product  
 product type designation  
 manufacturer's article number of the optional actuators

SIRIUS  
 Mechanical safety switches  
 with separate actuator and with tumbler  
 3SE5  
 3SE5000-0AV01 standard actuator, 3SE5000-0AV02 actuator with vertical fixing, 3SE5000-0AV03 actuator with transverse fixing, 3SE5000-0AV04 radius actuator, approach from left, 3SE5000-0AV05 universal actuator, 3SE5000-0AV06 radius actuator, approach from right, 3SE5000-0AV07 Heavy Duty actuator, 3SE5000-0AW42 actuator with vertical fixing, stainless steel socket, 3SE5000-0AW43 actuator with transverse fixing, stainless steel socket, 3SE5000-0AW51 stainless steel actuator, 3SE5000-0AW52 stainless steel actuator with vertical fixing, 3SE5000-0AW53 stainless steel actuator with transverse fixing  
 Yes

suitability for use safety switch

**General technical data**

product function positive opening	Yes
<b>locking force</b>	1 300 N
• according to EN ISO 14119	1 000 N
<b>insulation voltage rated value</b>	250 V
<b>degree of pollution</b>	class 3
<b>surge voltage resistance rated value</b>	4 kV
<b>protection class IP</b>	IP66/IP67
<b>shock resistance</b>	30g / 11 ms
• according to IEC 60068-2-27	30g / 11 ms
<b>vibration resistance</b>	0.35 mm / 5g
• according to IEC 60068-2-6	0.35 mm/5g
<b>mechanical service life (operating cycles) typical</b>	1 000 000
<b>electrical endurance (operating cycles) with contactor 3RH11, 3RT1016, 3RT1017, 3RT1024, 3RT1025, 3RT1026 typical</b>	1 000 000
<b>Electrical operating cycles in one hour with contactor 3RH11, 3RT1016, 3RT1017, 3RT1024, 3RT1025, 3RT1026</b>	6 000
<b>thermal current</b>	10 A
<b>material of the enclosure of the switch head</b>	plastic
<b>reference code according to IEC 81346-2</b>	B
<b>continuous current of the C characteristic MCB</b>	1 A; for a short-circuit current smaller than 400 A
<b>continuous current of the quick DIAZED fuse link</b>	10 A; for a short-circuit current smaller than 400 A
<b>continuous current of the DIAZED fuse link gG</b>	6 A; for a short-circuit current smaller than 400 A
<b>repeat accuracy</b>	0.05 mm
<b>Substance Prohibitance (Date)</b>	10/01/2011
<b>minimum actuating force in directions of actuation</b>	30 N
<b>length of the sensor</b>	185 mm
<b>width of the sensor</b>	54 mm

Ambient conditions	
<b>ambient temperature</b>	
• during operation	-25 ... +60 °C
• during storage	-40 ... +80 °C
<b>explosion protection category for dust</b>	none
<b>consumed active power of magnet coil</b>	4 W
<b>operational current at AC-15</b>	
• at 24 V rated value	6 A
• at 120 V rated value	6 A
• at 240 V rated value	3 A
<b>operational current at DC-13</b>	
• at 24 V rated value	3 A
• at 125 V rated value	0.55 A
• at 250 V rated value	0.27 A

Enclosure	
<b>design of the housing</b>	special design
<b>material of the enclosure</b>	plastic
<b>design of the housing according to standard</b>	No

Drive Head	
<b>design of the actuating element</b>	5 directions of approach
<b>design of the switching function</b>	positive opening
<b>number of directions of actuation</b>	5
<b>circuit principle</b>	slow-action contacts
number of switching contacts safety-related	4
<b>cable entry type</b>	3x (M20 x 1.5)
<b>locking mechanism design</b>	magnetic field lock (open-circuit principle)

Installation/ mounting/ dimensions	
<b>mounting position</b>	any
<b>fastening method</b>	screw fixing

Connections/ Terminals	
<b>type of electrical connection</b>	screw-type terminals
<b>type of connectable conductor cross-sections</b>	
• solid	1x (0.5 ... 1.5 mm <sup>2</sup> ), 2x (0.5 ... 0.75 mm <sup>2</sup> )
• finely stranded with core end processing	1x (0.5 ... 1.5 mm <sup>2</sup> ), 2x (0.5 ... 0.75 mm <sup>2</sup> )
• at AWG cables solid	1x (20 ... 16), 2x (20 ... 18)
• at AWG cables stranded	1x (20 ... 16), 2x (20 ... 18)

Supply voltage	
<b>supply voltage of magnet coil</b>	230 V
design of the interface for safety-related communication	without

Communication/ Protocol	
<b>design of the interface</b>	without

Safety related data	
B10 value with high demand rate according to SN 31920	1 000 000
proportion of dangerous failures with high demand rate according to SN 31920	50 %

**Certificates/ approvals**

**General Product Approval**



[Confirmation](#)



Functional Safety/Safety of Machinery	Declaration of Conformity	Test Certificates	other
---------------------------------------	---------------------------	-------------------	-------

### Further information

Information- and Downloadcenter (Catalogs, Brochures,...)

<https://www.siemens.com/ic10>

Industry Mall (Online ordering system)

<https://mall.industry.siemens.com/mall/en/en/Catalog/product?mlfb=3SE5322-0SB23>

Cax online generator

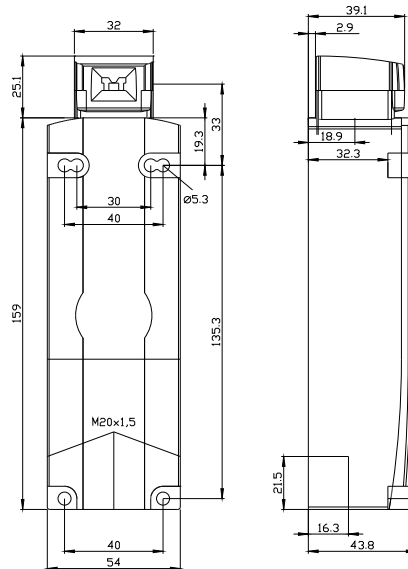
<http://support.automation.siemens.com/WW/CAXorder/default.aspx?lang=en&mlfb=3SE5322-0SB23>

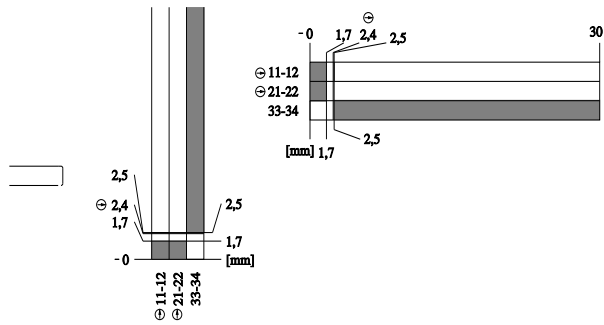
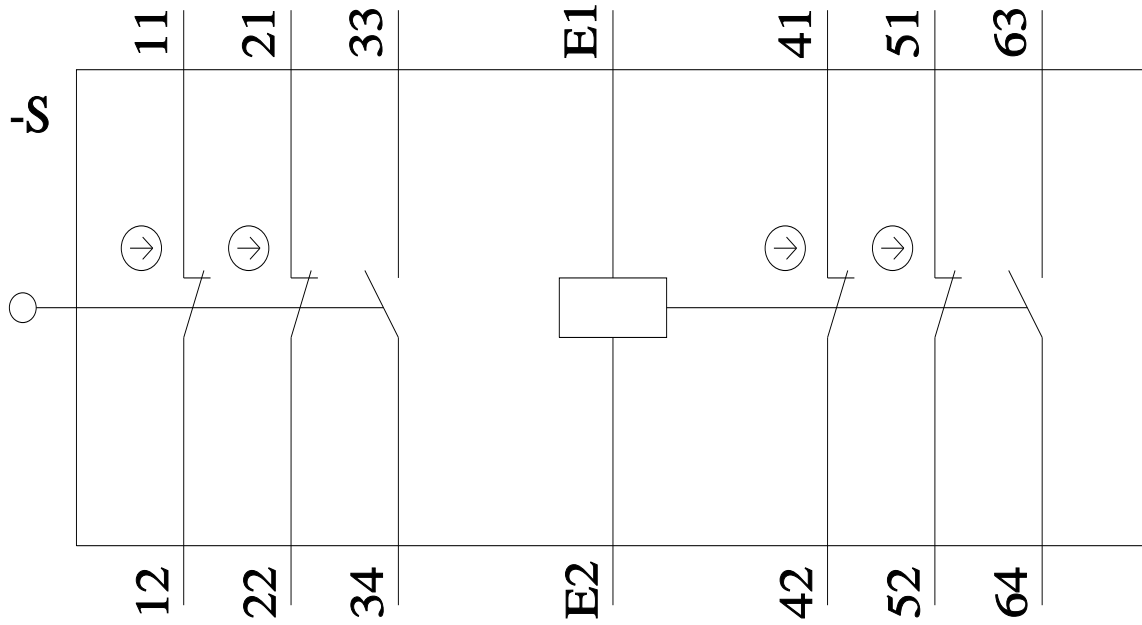
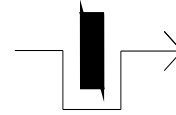
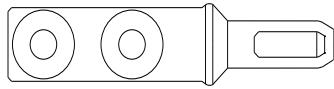
Service&Support (Manuals, Certificates, Characteristics, FAQs,...)

<https://support.industry.siemens.com/cs/ww/en/ps/3SE5322-0SB23>

Image database (product images, 2D dimension drawings, 3D models, device circuit diagrams, EPLAN macros, ...)

[http://www.automation.siemens.com/bilddb/cax\\_de.aspx?mlfb=3SE5322-0SB23&lang=en](http://www.automation.siemens.com/bilddb/cax_de.aspx?mlfb=3SE5322-0SB23&lang=en)





last modified:

1/26/2022