



Position switch Metal enclosure according to EN 50047, 31 mm Device connection 1 x (M20 x 1.5) 1 NO/1 NC quick action contacts adjustable-length twist lever right/left adjustable with plastic roller 19 mm

<b>product brand name</b>	SIRIUS
<b>product designation</b>	Mechanical position switches
<b>product type designation</b>	3SE5
<b>manufacturer's article number</b>	
<ul style="list-style-type: none"> <li>• of the supplied actuator head for position switches</li> <li>• of the supplied operating lever</li> <li>• of the supplied switching contacts</li> <li>• of the supplied empty enclosure with cover</li> </ul>	<a href="#">3SE5000-0AK00</a> <a href="#">3SE5000-0AA50</a> <a href="#">3SE5000-0CA00</a> <a href="#">3SE5212-0AC05</a>
suitability for use safety switch	No

### General technical data

product function positive opening	No
insulation voltage rated value	400 V
degree of pollution	class 3
surge voltage resistance rated value	6 kV
protection class IP	IP66/IP67
shock resistance	
<ul style="list-style-type: none"> <li>• according to IEC 60068-2-27</li> </ul>	30g / 11 ms
vibration resistance	
<ul style="list-style-type: none"> <li>• according to IEC 60068-2-6</li> </ul>	0.35 mm/5g
mechanical service life (switching cycles) typical	15 000 000
electrical endurance (switching cycles) at AC-15 at 230 V typical	100 000
electrical endurance (switching cycles) with contactor 3RH11, 3RT1016, 3RT1017, 3RT1024, 3RT1025, 3RT1026 typical	10 000 000
Electrical operating cycles in one hour with contactor 3RH11, 3RT1016, 3RT1017, 3RT1024, 3RT1025, 3RT1026	6 000
thermal current	10 A
material of the enclosure of the switch head	metal
reference code according to IEC 81346-2	B
continuous current of the C characteristic MCB	1 A; for a short-circuit current smaller than 400 A
continuous current of the quick DIAZED fuse link	10 A; for a short-circuit current smaller than 400 A
continuous current of the DIAZED fuse link gG	6 A
active principle	mechanical
repeat accuracy	0.05 mm
Substance Prohibitance (Date)	07/01/2006
minimum actuating torque in directions of actuation	0.25 N·m
length of the sensor	182 mm
width of the sensor	31 mm

### Ambient conditions

<b>ambient temperature</b>	
<ul style="list-style-type: none"> <li>• during operation</li> </ul>	-25 ... +85 °C

<ul style="list-style-type: none"> <li>during storage</li> </ul>	-40 ... +90 °C
<b>explosion protection category for dust</b>	none
<b>design of the switching contact</b>	mechanical
<b>operating frequency rated value</b>	50 ... 60 Hz
<b>number of NC contacts for auxiliary contacts</b>	1
<b>number of NO contacts for auxiliary contacts</b>	1
<b>operational current at AC-15</b>	
<ul style="list-style-type: none"> <li>at 24 V rated value</li> <li>at 120 V rated value</li> <li>at 240 V rated value</li> <li>at 400 V rated value</li> </ul>	6 A 6 A 6 A 4 A
<b>operational current at DC-13</b>	
<ul style="list-style-type: none"> <li>at 24 V rated value</li> <li>at 125 V rated value</li> <li>at 250 V rated value</li> <li>at 400 V rated value</li> </ul>	3 A 0.55 A 0.27 A 0.12 A

<b>Enclosure</b>	
<b>design of the housing</b>	block, narrow
<b>material of the enclosure</b>	metal
<b>coating of the enclosure</b>	cathodic dip coating
<b>design of the housing according to standard</b>	Yes

<b>Drive Head</b>	
<b>design of the actuating element</b>	Adjustable twist lever, adjustable-length metal lever, 100 mm long, plastic roller 19 mm
<b>standard-compliant actuator head</b>	EN 50047, design A
<b>shape of the switch head</b>	roller
<b>circuit principle</b>	snap-action contacts
<b>number of switching contacts safety-related</b>	0
<b>cable entry type</b>	1x (M20 x 1.5)

<b>Installation/ mounting/ dimensions</b>	
<b>mounting position</b>	any
<b>fastening method</b>	screw fixing

<b>Connections/ Terminals</b>	
<b>type of electrical connection</b>	screw-type terminals
<b>type of connectable conductor cross-sections</b>	
<ul style="list-style-type: none"> <li>solid</li> <li>finely stranded with core end processing</li> <li>at AWG cables solid</li> <li>at AWG cables stranded</li> </ul>	1x (0.5 ... 1.5 mm <sup>2</sup> ), 2x (0.5 ... 0.75 mm <sup>2</sup> ) 1x (0.5 ... 1.5 mm <sup>2</sup> ), 2x (0.5 ... 0.75 mm <sup>2</sup> ) 1x (20 ... 16), 2x (20 ... 18) 1x (20 ... 16), 2x (20 ... 18)
<b>design of the interface for safety-related communication</b>	without

<b>Communication/ Protocol</b>	
<b>design of the interface</b>	without

<b>Certificates/ approvals</b>	
<b>General Product Approval</b>	



[Confirmation](#)



<b>Functional Safety/Safety of Machinery</b>	<b>Declaration of Conformity</b>	<b>Test Certificates</b>	<b>other</b>
--	----------------------------------	--------------------------	--------------

[Type Examination Certificate](#)



[Type Test Certificates/Test Report](#)

[Confirmation](#)

**Further information**

Information- and Downloadcenter (Catalogs, Brochures,...)

<https://www.siemens.com/ic10>

Industry Mall (Online ordering system)

<https://mall.industry.siemens.com/mall/en/en/Catalog/product?mlfb=3SE5212-0CK50>

Cax online generator

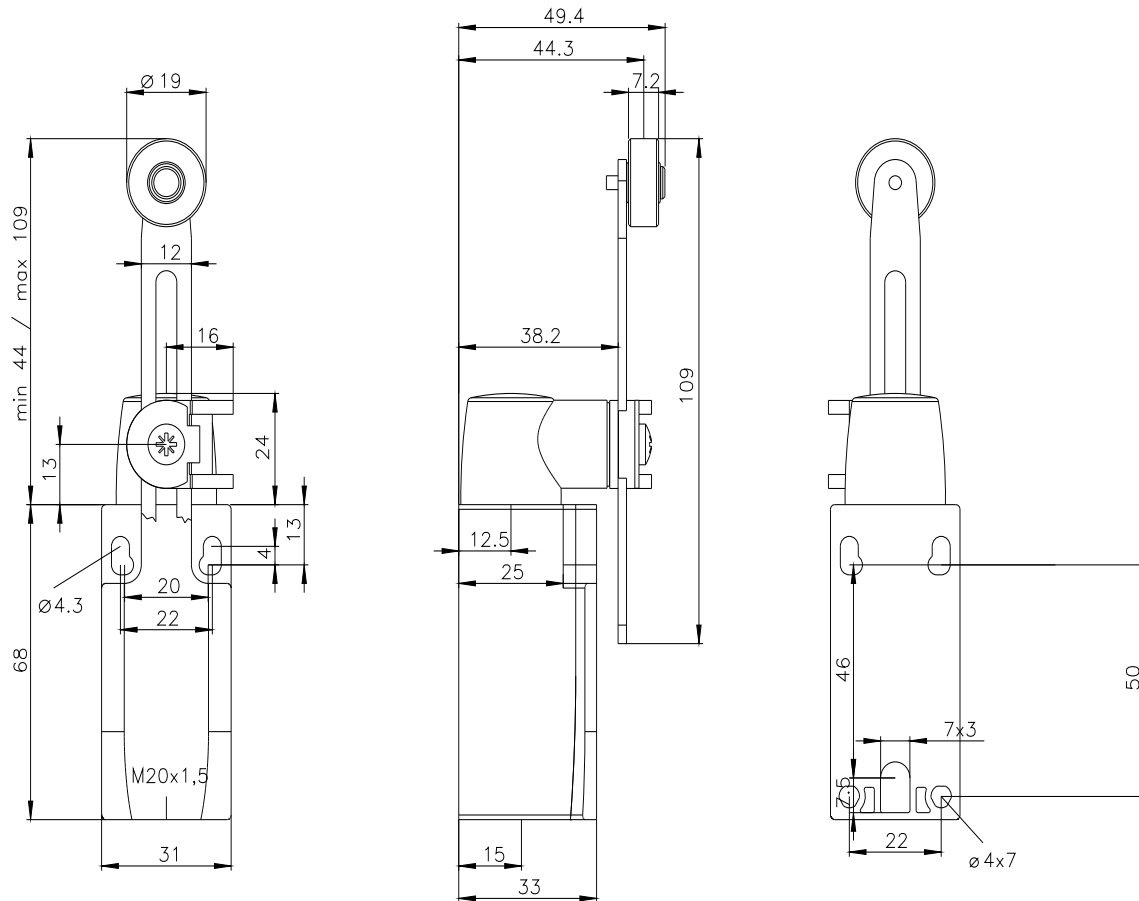
<http://support.automation.siemens.com/WW/CAXorder/default.aspx?lang=en&mlfb=3SE5212-0CK50>

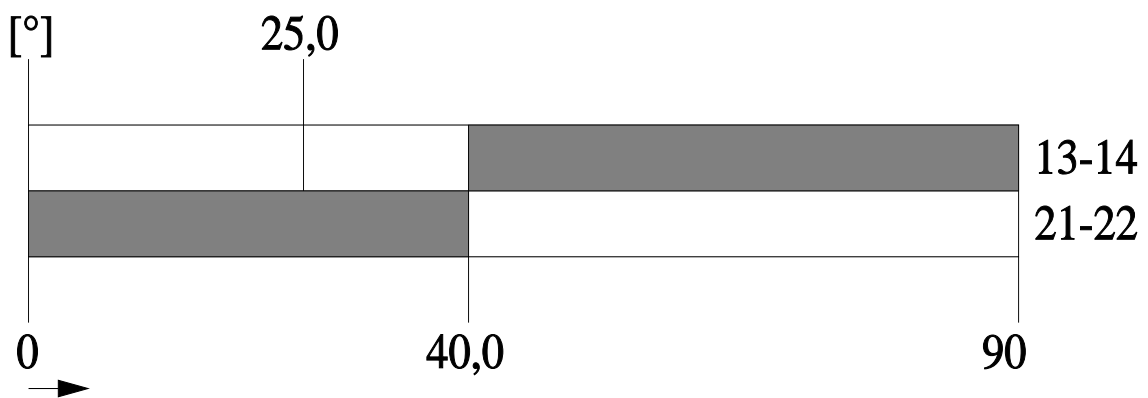
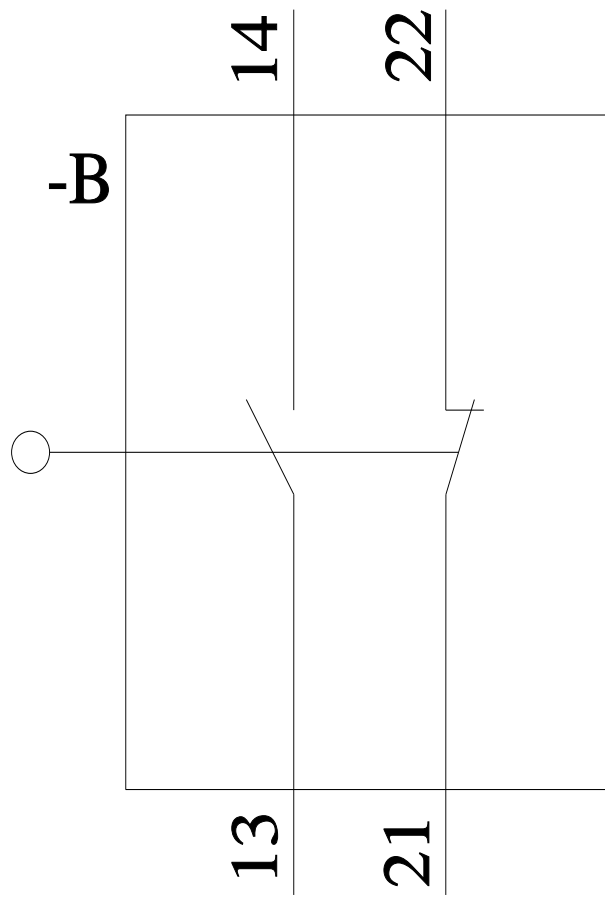
Service&Support (Manuals, Certificates, Characteristics, FAQs,...)

<https://support.industry.siemens.com/cs/ww/en/ps/3SE5212-0CK50>

Image database (product images, 2D dimension drawings, 3D models, device circuit diagrams, EPLAN macros, ...)

[http://www.automation.siemens.com/bilddb/cax\\_de.aspx?mlfb=3SE5212-0CK50&lang=en](http://www.automation.siemens.com/bilddb/cax_de.aspx?mlfb=3SE5212-0CK50&lang=en)





last modified:

3/23/2022