



Safety position switch with separate actuator Plastic enclosure 40 mm 1 x (M20 x 1.5) Slow-action contacts 1 NO+2 NC 5 directions of approaches The matching separate actuator 3SE5000-0AV0. must be ordered separately

product brand name  
product designation  
product type designation  
manufacturer's article number

- of the optional actuators

- of the supplied empty enclosure with cover suitability for use safety switch

SIRIUS  
Mechanical safety switches  
3SE5

3SE5000-0AV01 standard actuator, 3SE5000-0AV02 actuator with vertical mounting, 3SE5000-0AV03 actuator with horizontal mounting, 3SE5000-0AV04 radius actuator left, 3SE5000-0AV05 universal actuator, 3SE5000-0AV06 radius actuator right, 3SE5000-0AV07 heavy-duty actuator, 3SE5000-0AW11 plastic actuator, 3SE5000-0AW21 stainless steel actuator

[3SE5132-0AA00](#)

Yes

### General technical data

product function positive opening	Yes
insulation voltage rated value	400 V
degree of pollution	class 3
surge voltage resistance rated value	6 kV
protection class IP	IP66/IP67
shock resistance	
• according to IEC 60068-2-27	30g / 11 ms
vibration resistance according to IEC 60068-2-6	0.35 mm/5g
mechanical service life (operating cycles) typical	1 000 000
electrical endurance (operating cycles) at AC-15 at 230 V typical	100 000
electrical endurance (operating cycles) with contactor 3RH11, 3RT1016, 3RT1017, 3RT1024, 3RT1025, 3RT1026 typical	1 000 000
Electrical operating cycles in one hour with contactor 3RH11, 3RT1016, 3RT1017, 3RT1024, 3RT1025, 3RT1026	6 000
thermal current	10 A
material of the enclosure of the switch head	plastic
reference code according to IEC 81346-2	B
continuous current of the C characteristic MCB	1 A; for a short-circuit current smaller than 400 A
continuous current of the quick DIAZED fuse link	10 A; for a short-circuit current smaller than 400 A
continuous current of the DIAZED fuse link gG	6 A; for a short-circuit current smaller than 400 A
active principle	mechanical
repeat accuracy	0.05 mm
Substance Prohibitance (Date)	07/01/2006
minimum actuating force in directions of actuation	20 N
length of the sensor	110 mm
width of the sensor	40 mm

### Ambient conditions

ambient temperature

<ul style="list-style-type: none"> <li>during operation</li> <li>during storage</li> </ul>	-25 ... +85 °C
<b>explosion protection category for dust</b>	-40 ... +90 °C
<b>design of the switching contact</b>	none
<b>operating frequency rated value</b>	mechanical
<b>number of NC contacts for auxiliary contacts</b>	50 ... 60 Hz
<b>number of NO contacts for auxiliary contacts</b>	2
<b>operational current at AC-15</b>	1
<ul style="list-style-type: none"> <li>at 24 V rated value</li> <li>at 120 V rated value</li> <li>at 240 V rated value</li> <li>at 400 V rated value</li> </ul>	6 A
<b>operational current at DC-13</b>	6 A
<ul style="list-style-type: none"> <li>at 24 V rated value</li> <li>at 125 V rated value</li> <li>at 250 V rated value</li> <li>at 400 V rated value</li> </ul>	4 A
	4 A
	3 A
	0.55 A
	0.27 A
	0.12 A

### Enclosure

<b>design of the housing</b>	block, narrow
<b>material of the enclosure</b>	plastic
<b>coating of the enclosure</b>	Other types
<b>design of the housing according to standard</b>	Yes

### Drive Head

<b>design of the actuating element</b>	without
<b>design of the switching function</b>	positive opening
<b>circuit principle</b>	slow-action contacts
<b>number of switching contacts safety-related</b>	2
<b>cable entry type</b>	1x (M20 x 1.5)

### Installation/ mounting/ dimensions

<b>mounting position</b>	any
<b>fastening method</b>	screw fixing

### Connections/ Terminals

<b>type of electrical connection</b>	screw-type terminals
<b>type of connectable conductor cross-sections</b>	
<ul style="list-style-type: none"> <li>solid</li> <li>finely stranded with core end processing</li> <li>at AWG cables solid</li> <li>at AWG cables stranded</li> </ul>	1x (0.5 ... 1.5 mm <sup>2</sup> ), 2x (0.5 ... 0.75 mm <sup>2</sup> )
	1x (0.5 ... 1.5 mm <sup>2</sup> ), 2x (0.5 ... 0.75 mm <sup>2</sup> )
	1x (20 ... 16), 2x (20 ... 18)
	1x (20 ... 16), 2x (20 ... 18)
<b>design of the interface for safety-related communication</b>	without

### Communication/ Protocol

<b>design of the interface</b>	without
--------------------------------	---------

### Safety related data

<b>B10 value with high demand rate according to SN 31920</b>	1 000 000
<b>proportion of dangerous failures with high demand rate according to SN 31920</b>	20 %

### Certificates/ approvals

#### General Product Approval



[Confirmation](#)



<b>Functional Safety/Safety of Machinery</b>	<b>Declaration of Conformity</b>	<b>other</b>
--	----------------------------------	--------------

[Type Examination Certificate](#)



[Confirmation](#)

Further information

Information- and Downloadcenter (Catalogs, Brochures,...)

<https://www.siemens.com/ic10>

Industry Mall (Online ordering system)

<https://mall.industry.siemens.com/mall/en/en/Catalog/product?mlfb=3SE5132-0QV20>

Cax online generator

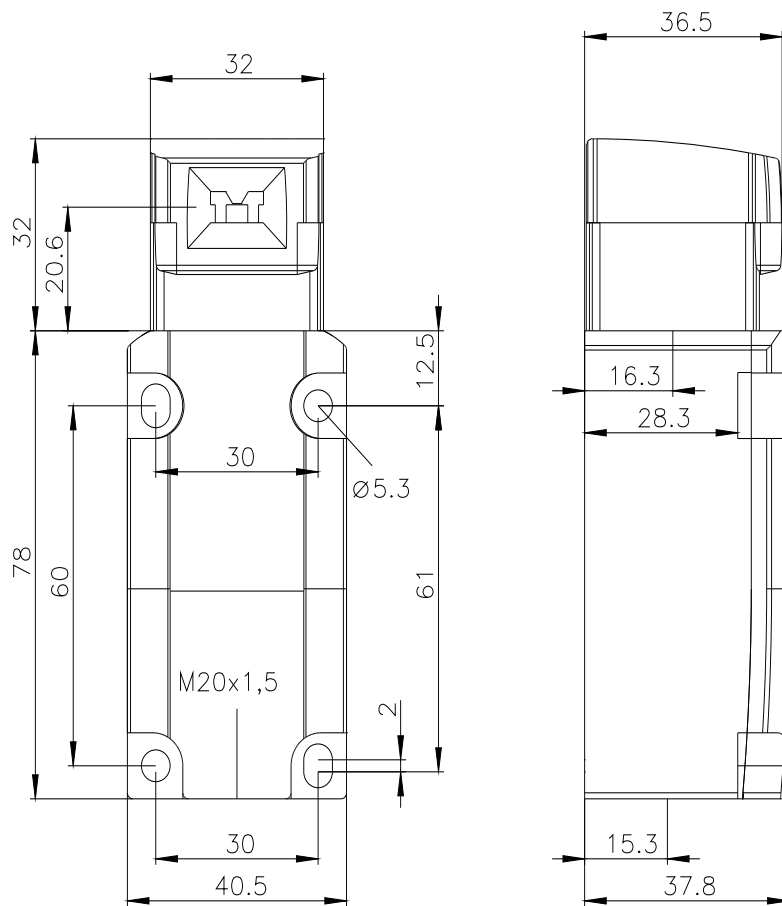
<http://support.automation.siemens.com/WW/CAXorder/default.aspx?lang=en&mlfb=3SE5132-0QV20>

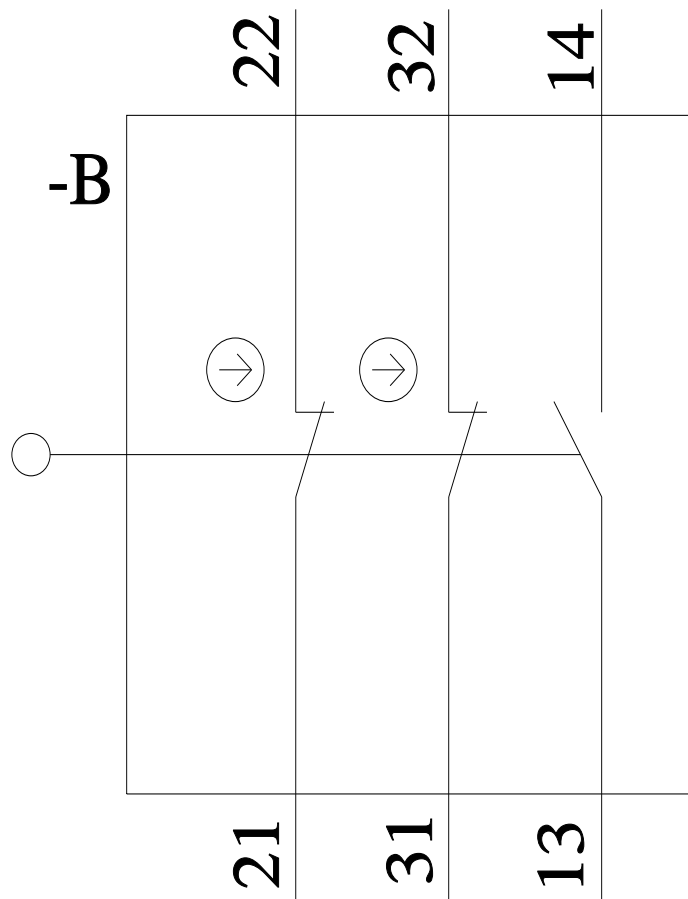
Service&Support (Manuals, Certificates, Characteristics, FAQs,...)

<https://support.industry.siemens.com/cs/ww/en/ps/3SE5132-0QV20>

Image database (product images, 2D dimension drawings, 3D models, device circuit diagrams, EPLAN macros, ...)

[http://www.automation.siemens.com/bilddb/cax\\_de.aspx?mlfb=3SE5132-0QV20&lang=en](http://www.automation.siemens.com/bilddb/cax_de.aspx?mlfb=3SE5132-0QV20&lang=en)





last modified:

12/21/2020 