



Figure similar

22MM PLASTIC ROUND COMPLETE UNIT COMBINATION: INDICATOR LIGHT WITH SMOOTH LENSE ILLUMINATED WITH INTEGRATED LED 230V AC SCREW TERMINAL WITH HOLDER CLEAR !!! Phased-out product !!! SIRIUS ACT 3SU1 is successor Preferred successor type is >>3SU1106-6AA70-1AA0<<

design of the product	Complete unit round
Enclosure	
shape of the enclosure front	round
material of the enclosure	plastic
number of command points	0
Actuator	
design of the actuating element	indicator light
product extension optional light source	Yes
color of the actuating element	clear
material of the actuating element	plastic
shape of the actuating element	Smooth lens
number of switching positions	0
Front ring	
product component front ring	No
Holder	
material of the holder	Plastic
Contact block/ lampholder	
socket design	integrated LED
number of lampholders	1
number of switching elements	0
General technical data	
product function	
• positive opening	No
• EMERGENCY STOP function	No
product component light source	Yes
protection class IP	IP66
vibration resistance according to IEC 60068-2-6	20 ... 200 Hz: 5g
reference code according to IEC 81346-2	P
Substance Prohibitance (Date)	07/01/2006
Supply voltage	
type of voltage of the supply voltage	
• of the light source	AC
supply voltage of the light source at AC	
• at 50 Hz rated value	230 V
• at 60 Hz rated value	230 V
relative negative tolerance of the supply voltage	-15 %
relative positive tolerance of the supply voltage	10 %
Auxiliary circuit	
number of NC contacts for auxiliary contacts	0

number of NO contacts for auxiliary contacts	0
number of CO contacts for auxiliary contacts	0
consumed current for rated value of supply voltage maximum	17 mA

Connections/ Terminals

type of electrical connection	screw-type terminals
tightening torque of the screws in the bracket	1 ... 1.2 N·m

Ambient conditions

ambient temperature	
<ul style="list-style-type: none"> during operation during storage 	-25 ... +70 °C -40 ... +80 °C
environmental category during operation according to IEC 60721	3K6

Installation/ mounting/ dimensions

fastening method	front mounting
shape of the installation opening	round
mounting diameter	22 mm
mounting height	11 mm
installation width	28 mm
installation depth	49 mm

Accessories

product component holder for 3 switching elements	No
---	----

Certificates/ approvals

General Product Approval	Marine / Shipping
--------------------------	-------------------



Marine / Shipping	other
-------------------	-------



[Confirmation](#)

[Miscellaneous](#)

Further information

Siemens has decided to exit the Russian market (see here).
<https://press.siemens.com/global/en/pressrelease/siemens-wind-down-russian-business>

Siemens is working on the renewal of the current EAC certificates.
 Please contact your local Siemens office on the status of validity of the EAC certification if you intend to import or offer to supply these products to an EAC relevant market (other than the sanctioned EAEU member states Russia or Belarus).

Information on the packaging
<https://support.industry.siemens.com/cs/ww/en/view/109813875>

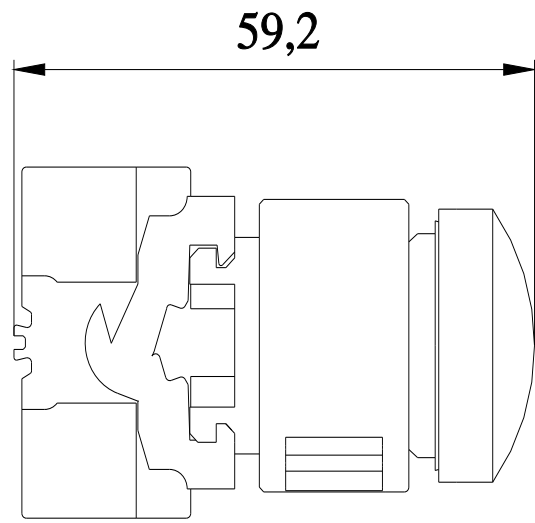
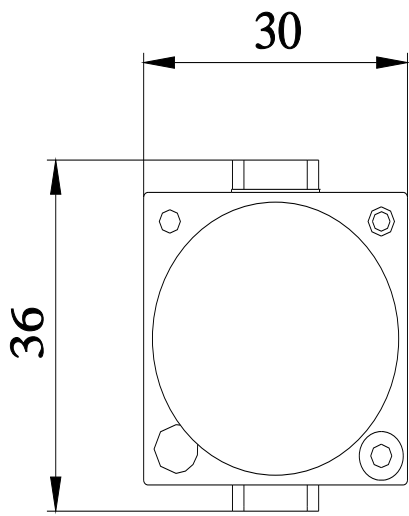
Information- and Downloadcenter (Catalogs, Brochures,...)
<https://www.siemens.com/ic10>

Industry Mall (Online ordering system)
<https://mall.industry.siemens.com/mall/en/en/Catalog/product?mlfb=3SB3252-6AA70>

Cax online generator
<http://support.automation.siemens.com/WW/CAXorder/default.aspx?lang=en&mlfb=3SB3252-6AA70>

Service&Support (Manuals, Certificates, Characteristics, FAQs,...)
<https://support.industry.siemens.com/cs/ww/en/ps/3SB3252-6AA70>

Image database (product images, 2D dimension drawings, 3D models, device circuit diagrams, EPLAN macros, ...)
http://www.automation.siemens.com/bilddb/cax_de.aspx?mlfb=3SB3252-6AA70&lang=en



last modified:

1/18/2021 