

22MM PLASTIC ROUND COMPLETE UNIT COMBINATION: ILLUMINATED PUSHBUTTON MOMENTARY CONTACT TYPE WITH FLAT BUTTON ILLUMINATED WITH INTEGRATED LED 24V AC/DC SCREW TERMINAL, 1NO WITH HOLDER WHITE !!! Phased-out product !!! SIRIUS ACT 3SU1 is successor Preferred successor ty >>3SU1102-0AB60-1BA0<<

design of the product	Complete unit round
<b>Enclosure</b>	
shape of the enclosure front	round
material of the enclosure	plastic
number of command points	1
<b>Actuator</b>	
design of the actuating element	Illuminated pushbutton
principle of operation of the actuating element	momentary contact type
product extension optional light source	Yes
color of the actuating element	white
material of the actuating element	plastic
shape of the actuating element	Flat pushbutton
type of unlocking device	without
number of switching positions	2
<b>Front ring</b>	
product component front ring	Yes
design of the front ring	Standard
material of the front ring	plastic
color of the front ring	black
<b>Holder</b>	
material of the holder	Plastic
<b>Contact block/ lampholder</b>	
socket design	integrated LED
number of lampholders	1
number of switching elements	1
<b>General technical data</b>	
product function	
• positive opening	No
• EMERGENCY STOP function	No
product component light source	Yes
protection class IP	IP66
vibration resistance according to IEC 60068-2-6	20 ... 200 Hz: 5g
operating frequency maximum	1 000 1/h
mechanical service life (operating cycles) typical	3 000 000
reference code according to IEC 81346-2	S
Substance Prohibitance (Date)	07/01/2006
<b>Supply voltage</b>	
type of voltage of the supply voltage	
• of the light source	AC/DC
supply voltage of the light source at AC	

• at 50 Hz rated value	24 V
• at 60 Hz rated value	24 V
supply voltage 1 of the light source at DC rated value	24 V
<b>relative negative tolerance of the supply voltage</b>	-15 %
<b>relative positive tolerance of the supply voltage</b>	10 %
<b>Auxiliary circuit</b>	
<b>number of NC contacts for auxiliary contacts</b>	0
<b>number of NO contacts for auxiliary contacts</b>	1
number of CO contacts for auxiliary contacts	0
<b>consumed current for rated value of supply voltage maximum</b>	18 mA
<b>operational current at AC-12</b>	
• at 24 V rated value	10 A
• at 48 V rated value	10 A
• at 110 V rated value	10 A
• at 230 V rated value	10 A
• at 400 V rated value	10 A
<b>operational current at AC-15</b>	
• at 24 V rated value	6 A
• at 48 V rated value	6 A
• at 110 V rated value	6 A
• at 230 V rated value	6 A
• at 400 V rated value	3 A
<b>operational current at DC-12</b>	
• at 24 V rated value	10 A
• at 48 V rated value	5 A
• at 110 V rated value	2.5 A
• at 230 V rated value	1 A
<b>operational current at DC-13</b>	
• at 24 V rated value	3 A
• at 48 V rated value	1.5 A
• at 110 V rated value	0.7 A
• at 230 V rated value	0.3 A
<b>Connections/ Terminals</b>	
<b>type of electrical connection</b>	screw-type terminals
<b>tightening torque of the screws in the bracket</b>	1 ... 1.2 N·m
<b>Ambient conditions</b>	
<b>ambient temperature</b>	
• during operation	-25 ... +70 °C
• during storage	-40 ... +80 °C
environmental category during operation according to IEC 60721	3K6
<b>Installation/ mounting/ dimensions</b>	
<b>fastening method</b>	front mounting
<b>shape of the installation opening</b>	round
<b>mounting diameter</b>	22 mm
<b>mounting height</b>	8 mm
<b>installation width</b>	28.5 mm
<b>installation depth</b>	49 mm
<b>Accessories</b>	
<b>product component holder for 3 switching elements</b>	Yes
<b>Certificates/ approvals</b>	
General Product Approval	Marine / Shipping



Marine / Shipping

other

**Further information**

Siemens has decided to exit the Russian market (see here).

<https://press.siemens.com/global/en/pressrelease/siemens-wind-down-russian-business>

Siemens is working on the renewal of the current EAC certificates.

Please contact your local Siemens office on the status of validity of the EAC certification if you intend to import or offer to supply these products to an EAC relevant market (other than the sanctioned EAEU member states Russia or Belarus).

Information on the packaging

<https://support.industry.siemens.com/cs/ww/en/view/109813875>

Information- and Downloadcenter (Catalogs, Brochures,...)

<https://www.siemens.com/ic10>

Industry Mall (Online ordering system)

<https://mall.industry.siemens.com/mall/en/en/Catalog/product?mlfb=3SB3245-0AA61>

Cax online generator

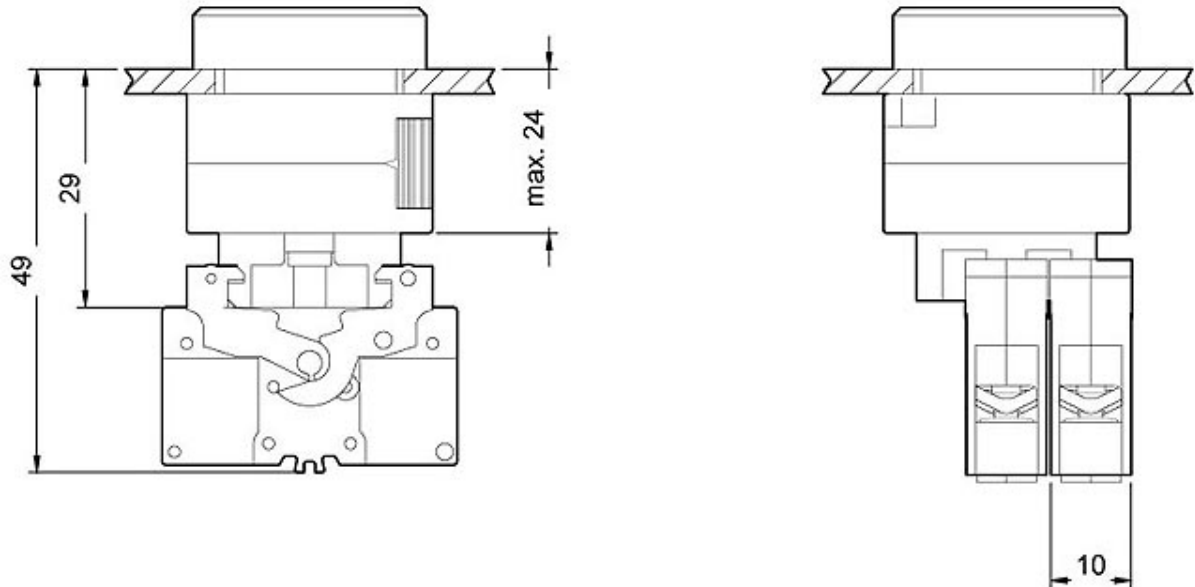
<http://support.automation.siemens.com/WW/CAXorder/default.aspx?lang=en&mlfb=3SB3245-0AA61>

Service&Support (Manuals, Certificates, Characteristics, FAQs,...)

<https://support.industry.siemens.com/cs/ww/en/ps/3SB3245-0AA61>

Image database (product images, 2D dimension drawings, 3D models, device circuit diagrams, EPLAN macros, ...)

[http://www.automation.siemens.com/bilddb/cax\\_de.aspx?mlfb=3SB3245-0AA61&lang=en](http://www.automation.siemens.com/bilddb/cax_de.aspx?mlfb=3SB3245-0AA61&lang=en)



last modified:

1/18/2021