



Acoustic signal device, 22 mm, round, plastic, black, continuous tone 2.4 kHz, IP65, sound pressure min. 80 dB/10 cm, with holder, lampholder BA 9S, operating voltage 24 V AC/DC, screw terminal !!! Phased-out product !!! Successor is SIRIUS ACT 3SU1 Preferred successor type is >>3SU1200-6KB10-1AA0<<

design of the product	Complete unit round
Enclosure	
shape of the enclosure front	round
material of the enclosure	plastic
number of command points	0
Actuator	
design of the actuating element	Acoustic signaling device
product extension optional light source	Yes
color of the actuating element	black
material of the actuating element	plastic
number of switching positions	0
Front ring	
product component front ring	No
Holder	
material of the holder	Plastic
Contact block/ lampholder	
number of lampholders	0
number of switching elements	0
General technical data	
product function	
• positive opening	No
• EMERGENCY STOP function	No
product component light source	No
type of voltage of the operating voltage	AC/DC
protection class IP	IP65
vibration resistance according to IEC 60068-2-6	20 ... 200 Hz: 5g
reference code according to IEC 81346-2	P
Substance Prohibitance (Date)	07/01/2006
Supply voltage	
type of voltage of the supply voltage	
• of the acoustic signal element	AC/DC
supply voltage at AC	
• at 50 Hz rated value	24 V
• at 60 Hz rated value	24 V
supply voltage at DC rated value	24 V
Auxiliary circuit	
number of NC contacts for auxiliary contacts	0
number of NO contacts for auxiliary contacts	0
number of CO contacts for auxiliary contacts	0
consumed current for rated value of supply voltage	5 mA

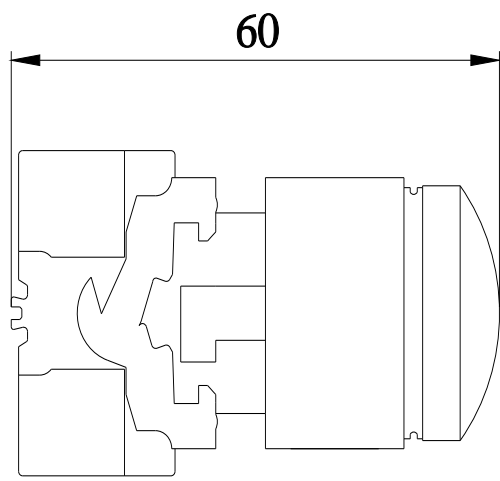
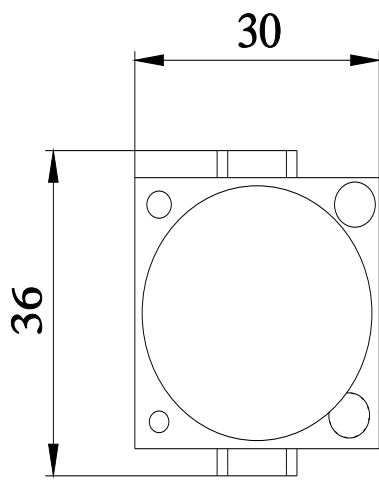
maximum	
Connections/ Terminals	
type of electrical connection	screw-type terminals
tightening torque of the screws in the bracket	1 ... 1.2 N·m
Ambient conditions	
ambient temperature	
• during operation	-25 ... +70 °C
• during storage	-40 ... +80 °C
environmental category during operation according to IEC 60721	3K6
Installation/ mounting/ dimensions	
fastening method	front mounting
shape of the installation opening	round
mounting diameter	22 mm
mounting height	10 mm
installation width	28 mm
installation depth	49 mm
Accessories	
product component holder for 3 switching elements	No
Certificates/ approvals	
General Product Approval	Marine / Shipping



Marine / Shipping	other
	Miscellaneous
	Confirmation

Further information

Siemens has decided to exit the Russian market (see here).
<https://press.siemens.com/global/en/pressrelease/siemens-wind-down-russian-business>
Siemens is working on the renewal of the current EAC certificates.
Please contact your local Siemens office on the status of validity of the EAC certification if you intend to import or offer to supply these products to an EAC relevant market (other than the sanctioned EAEU member states Russia or Belarus).
Information on the packaging
<https://support.industry.siemens.com/cs/ww/en/view/109813875>
Information- and Downloadcenter (Catalogs, Brochures,...)
<https://www.siemens.com/ic10>
Industry Mall (Online ordering system)
<https://mall.industry.siemens.com/mall/en/en/Catalog/product?mlfb=3SB3233-7BA10>
Cax online generator
<http://support.automation.siemens.com/WWW/CAXorder/default.aspx?lang=en&mlfb=3SB3233-7BA10>
Service&Support (Manuals, Certificates, Characteristics, FAQs,...)
<https://support.industry.siemens.com/cs/ww/en/ps/3SB3233-7BA10>
Image database (product images, 2D dimension drawings, 3D models, device circuit diagrams, EPLAN macros, ...)
http://www.automation.siemens.com/bilddb/cax_de.aspx?mlfb=3SB3233-7BA10&lang=en



last modified:

1/18/2021 