

22MM PLASTIC ROUND COMPLETE UNIT COMBINATION: ILLUMINATED PUSHBUTTON WITH FLAT BUTTON ILLUMINATED WITH LAMP HOLDER BA 9S WITH LAMP 24V AC/DC SCREW TERMINAL, 1NO OPERATIONAL VOLTAGE 24V AC/DC WITH HOLDER WHITE !!! Phased-out product !!! SIRIUS ACT 3SU1 is suc Preferred successor ty >>3SU1102-0AB60-1BA0 <<

<b>design of the product</b>	Complete unit round
<b>Enclosure</b>	
<b>shape of the enclosure front</b>	round
<b>material of the enclosure</b>	plastic
<b>number of command points</b>	1
<b>Actuator</b>	
<b>design of the actuating element</b>	illuminated pushbutton
<b>principle of operation of the actuating element</b>	momentary contact type
product extension optional light source	Yes
color of the actuating element	white
<b>material of the actuating element</b>	plastic
<b>shape of the actuating element</b>	Flat pushbutton
<b>type of unlocking device</b>	without
<b>number of switching positions</b>	2
<b>Front ring</b>	
<b>product component front ring</b>	Yes
<b>design of the front ring</b>	Standard
<b>material of the front ring</b>	plastic
<b>color of the front ring</b>	black
<b>Holder</b>	
<b>material of the holder</b>	Plastic
<b>Contact block/ lampholder</b>	
<b>socket design</b>	BA 9s with lamp
<b>number of lampholders</b>	1
<b>number of switching elements</b>	1
<b>General technical data</b>	
<b>product function</b>	
• positive opening	No
• EMERGENCY STOP function	No
product component light source	Yes
<b>protection class IP</b>	IP66
<b>vibration resistance according to IEC 60068-2-6</b>	20 ... 200 Hz: 5g
<b>operating frequency maximum</b>	1 000 1/h
<b>mechanical service life (operating cycles) typical</b>	3 000 000
<b>reference code according to IEC 81346-2</b>	S
<b>Substance Prohibitance (Date)</b>	07/01/2006
<b>Supply voltage</b>	
<b>type of voltage of the supply voltage</b>	
• of the light source	AC/DC
<b>supply voltage of the light source at AC</b>	
• at 50 Hz rated value	24 V
• at 60 Hz rated value	24 V
supply voltage 1 of the light source at DC rated value	24 V
<b>relative negative tolerance of the supply voltage</b>	-15 %
<b>relative positive tolerance of the supply voltage</b>	10 %
<b>Auxiliary circuit</b>	
<b>number of NC contacts for auxiliary contacts</b>	0
<b>number of NO contacts for auxiliary contacts</b>	1

number of CO contacts for auxiliary contacts	0
<b>consumed current for rated value of supply voltage maximum</b>	80 mA
<b>operational current at AC-12</b>	
• at 24 V rated value	10 A
• at 48 V rated value	10 A
• at 110 V rated value	10 A
• at 230 V rated value	10 A
• at 400 V rated value	10 A
<b>operational current at AC-15</b>	
• at 24 V rated value	6 A
• at 48 V rated value	6 A
• at 110 V rated value	6 A
• at 230 V rated value	6 A
• at 400 V rated value	3 A
<b>operational current at DC-12</b>	
• at 24 V rated value	10 A
• at 48 V rated value	5 A
• at 110 V rated value	2.5 A
• at 230 V rated value	1 A
<b>operational current at DC-13</b>	
• at 24 V rated value	3 A
• at 48 V rated value	1.5 A
• at 110 V rated value	0.7 A
• at 230 V rated value	0.3 A

#### Connections/ Terminals

<b>type of electrical connection</b>	screw-type terminals
<b>tightening torque of the screws in the bracket</b>	1 ... 1.2 N·m

#### Ambient conditions

<b>ambient temperature</b>	
• during operation	-25 ... +60 °C
• during storage	-40 ... +80 °C
environmental category during operation according to IEC 60721	3K6

#### Installation/ mounting/ dimensions

<b>fastening method</b>	front mounting
<b>shape of the installation opening</b>	round
<b>mounting diameter</b>	22 mm
<b>mounting height</b>	8 mm
<b>installation width</b>	28.5 mm
<b>installation depth</b>	49 mm

#### Accessories

<b>product component holder for 3 switching elements</b>	Yes
--	-----

#### Certificates/ approvals

<b>General Product Approval</b>	Marine / Shipping
---------------------------------	-------------------



<b>Marine / Shipping</b>	<b>other</b>
--------------------------	--------------



[Miscellaneous](#)

[Confirmation](#)

#### Further information

Siemens has decided to exit the Russian market (see here).  
<https://press.siemens.com/global/en/pressrelease/siemens-wind-down-russian-business>

Siemens is working on the renewal of the current EAC certificates.

Please contact your local Siemens office on the status of validity of the EAC certification if you intend to import or offer to supply these products to an EAC relevant market (other than the sanctioned EAEU member states Russia or Belarus).

**Information on the packaging**

<https://support.industry.siemens.com/cs/ww/en/view/109813875>

**Information- and Downloadcenter (Catalogs, Brochures,...)**

<https://www.siemens.com/ic10>

**Industry Mall (Online ordering system)**

<https://mall.industry.siemens.com/mall/en/en/Catalog/product?mlfb=3SB3220-0AA61>

**Cax online generator**

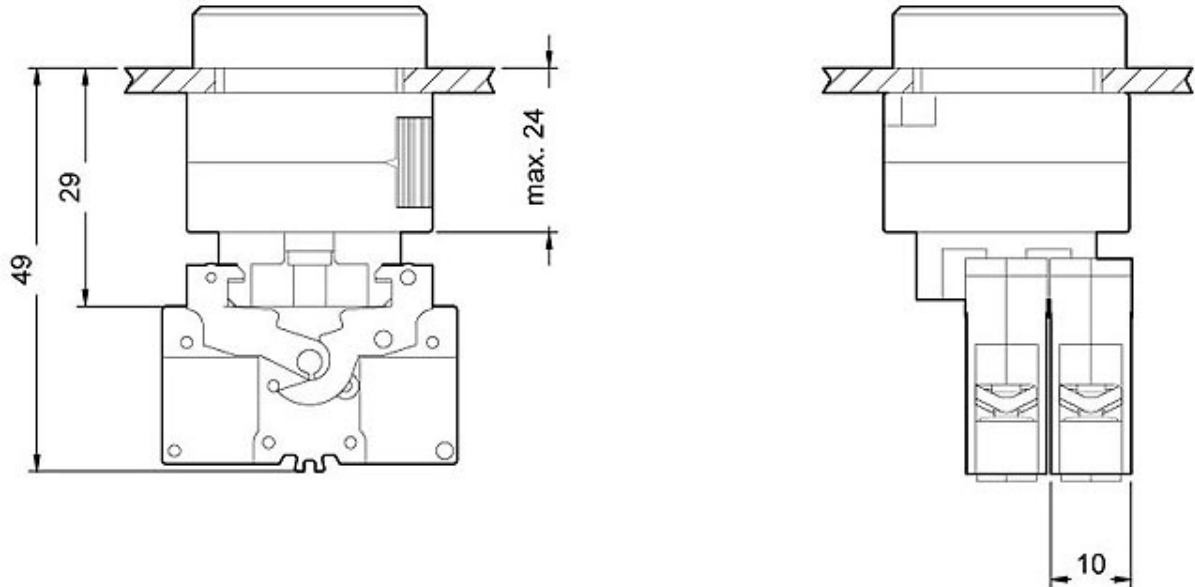
<http://support.automation.siemens.com/WW/CAXorder/default.aspx?lang=en&mlfb=3SB3220-0AA61>

**Service&Support (Manuals, Certificates, Characteristics, FAQs,...)**

<https://support.industry.siemens.com/cs/ww/en/ps/3SB3220-0AA61>

**Image database (product images, 2D dimension drawings, 3D models, device circuit diagrams, EPLAN macros, ...)**

[http://www.automation.siemens.com/bilddb/cax\\_de.aspx?mlfb=3SB3220-0AA61&lang=en](http://www.automation.siemens.com/bilddb/cax_de.aspx?mlfb=3SB3220-0AA61&lang=en)



last modified:

1/18/2021 