

Selector switch, 22 mm, round, plastic, black, selector switch, short, 3 switch positions I-O-II, momentary contact type, actuating angle 2x50 degrees, with holder, 2 x 1 NO+1 NC, screw terminal !!! Phased-out product !!! Successor is SIRIUS ACT 3SU1 Preferred successor type is >>3SU1002-2BM10-0AA0 + 3SU1500-0AA10-0AA0 + 2x 3SU1400-1AA10-1FA0<<

<b>design of the product</b>	Complete unit round
<b>Enclosure</b>	
<b>shape of the enclosure front</b>	round
<b>material of the enclosure</b>	plastic
<b>number of command points</b>	1
<b>Actuator</b>	
<b>design of the actuating element</b>	selector switch
<b>principle of operation of the actuating element</b>	momentary contact type
product extension optional light source	Yes
color of the actuating element	black
<b>material of the actuating element</b>	plastic
<b>type of unlocking device</b>	rotate-to-unlatch mechanism
<b>number of switching positions</b>	3
<b>Front ring</b>	
<b>product component front ring</b>	Yes
<b>design of the front ring</b>	Standard
<b>material of the front ring</b>	plastic
<b>color of the front ring</b>	black
<b>Holder</b>	
<b>material of the holder</b>	Plastic
<b>Contact block/ lampholder</b>	
<b>number of lampholders</b>	0
<b>number of switching elements</b>	2
<b>General technical data</b>	
<b>product function</b>	
• positive opening	Yes
• EMERGENCY STOP function	No
product component light source	No
type of voltage of the operating voltage	AC/DC
<b>protection class IP</b>	IP66
<b>vibration resistance according to IEC 60068-2-6</b>	20 ... 200 Hz: 5g
<b>operating frequency maximum</b>	1 000 1/h
<b>mechanical service life (operating cycles) typical</b>	300 000
<b>reference code according to IEC 81346-2</b>	S
<b>Substance Prohibitance (Date)</b>	07/01/2006
operating voltage rated value	5 ... 400 V
<b>Auxiliary circuit</b>	
<b>number of NC contacts for auxiliary contacts</b>	2
<b>number of NO contacts for auxiliary contacts</b>	2
number of CO contacts for auxiliary contacts	0
<b>operational current at AC-12</b>	
• at 24 V rated value	10 A
• at 48 V rated value	10 A
• at 110 V rated value	10 A
• at 230 V rated value	10 A
• at 400 V rated value	10 A
<b>operational current at AC-15</b>	
• at 24 V rated value	6 A

<ul style="list-style-type: none"> <li>• at 48 V rated value</li> <li>• at 110 V rated value</li> <li>• at 230 V rated value</li> <li>• at 400 V rated value</li> </ul>	6 A 6 A 6 A 3 A
<b>operational current at DC-12</b>	
<ul style="list-style-type: none"> <li>• at 24 V rated value</li> <li>• at 48 V rated value</li> <li>• at 110 V rated value</li> <li>• at 230 V rated value</li> </ul>	10 A 5 A 2.5 A 1 A
<b>operational current at DC-13</b>	
<ul style="list-style-type: none"> <li>• at 24 V rated value</li> <li>• at 48 V rated value</li> <li>• at 110 V rated value</li> <li>• at 230 V rated value</li> </ul>	3 A 1.5 A 0.7 A 0.3 A

<b>Connections/ Terminals</b>	
<b>type of electrical connection</b>	screw-type terminals
<b>tightening torque of the screws in the bracket</b>	1 ... 1.2 N·m

<b>Ambient conditions</b>	
<b>ambient temperature</b>	
<ul style="list-style-type: none"> <li>• during operation</li> <li>• during storage</li> </ul>	-25 ... +70 °C -40 ... +80 °C
environmental category during operation according to IEC 60721	3K6

<b>Installation/ mounting/ dimensions</b>	
<b>fastening method</b>	front mounting
<b>shape of the installation opening</b>	round
<b>mounting diameter</b>	22 mm
<b>mounting height</b>	24 mm
<b>installation width</b>	28.5 mm
<b>installation depth</b>	63 mm

<b>Accessories</b>	
<b>product component holder for 3 switching elements</b>	No

<b>Certificates/ approvals</b>	
<b>General Product Approval</b>	<b>Marine / Shipping</b>



<b>Marine / Shipping</b>	<b>other</b>
--------------------------	--------------



[Miscellaneous](#)

[Confirmation](#)

### Further information

Siemens has decided to exit the Russian market (see here).  
<https://press.siemens.com/global/en/pressrelease/siemens-wind-down-russian-business>

Siemens is working on the renewal of the current EAC certificates.  
 Please contact your local Siemens office on the status of validity of the EAC certification if you intend to import or offer to supply these products to an EAC relevant market (other than the sanctioned EAEU member states Russia or Belarus).

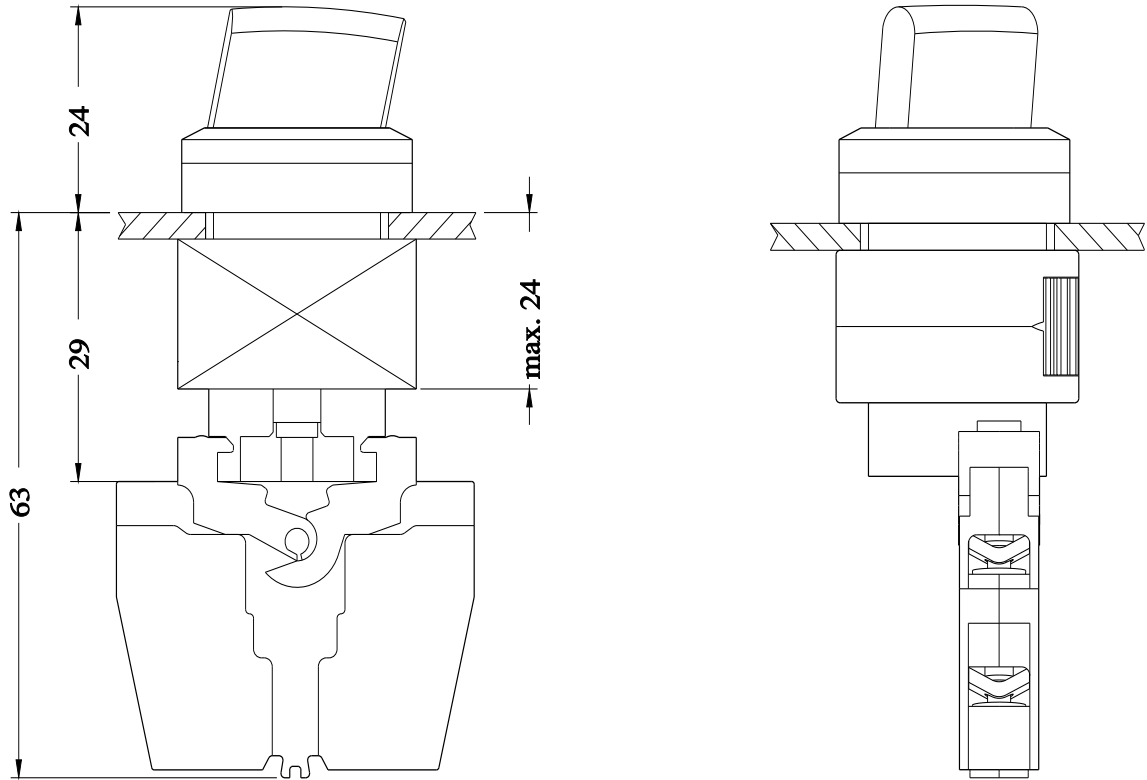
Information on the packaging  
<https://support.industry.siemens.com/cs/ww/en/view/109813875>  
 Information- and Downloadcenter (Catalogs, Brochures,...)  
<https://www.siemens.com/ic10>

Industry Mall (Online ordering system)  
<https://mall.industry.siemens.com/mall/en/en/Catalog/product?mlfb=3SB3208-2EA11>

Cax online generator  
<http://support.automation.siemens.com/WW/CAXorder/default.aspx?lang=en&mlfb=3SB3208-2EA11>

Service&Support (Manuals, Certificates, Characteristics, FAQs,...)  
<https://support.industry.siemens.com/cs/ww/en/ps/3SB3208-2EA11>

Image database (product images, 2D dimension drawings, 3D models, device circuit diagrams, EPLAN macros, ...)



last modified:

1/18/2021 