

22MM PLASTIC ROUND COMPLETE UNIT COMBINATION: ILLUMINATED PUSHBUTTON WITH FLAT BUTTON NON-ILLUMINATED WITH LAMP HOLDER BA 9S WITHOUT LAMP SCREW TERMINAL, 1NC WITH HOLDER RED !!!
 Phased-out product !!! SIRIUS ACT 3SU1 is successor Preferred successor type is >>3SU1001-0AB20-0AAA + 3SU1500-0AA10-0AAA + 3SU1400-1AA10-1CA0<<

design of the product	Complete unit round
Enclosure	
shape of the enclosure front	round
material of the enclosure	plastic
number of command points	1
Actuator	
design of the actuating element	Illuminated pushbutton
principle of operation of the actuating element	momentary contact type
product extension optional light source	Yes
color of the actuating element	red
material of the actuating element	plastic
shape of the actuating element	Flat pushbutton
type of unlocking device	without
number of switching positions	2
Front ring	
product component front ring	Yes
design of the front ring	Standard
material of the front ring	plastic
color of the front ring	black
Holder	
material of the holder	Plastic
Contact block/ lampholder	
socket design	BA 9s without lamp
number of lampholders	1
number of switching elements	1
General technical data	
product function	
• positive opening	Yes
• EMERGENCY STOP function	No
product component light source	No
type of voltage of the operating voltage	AC/DC
protection class IP	IP66
vibration resistance according to IEC 60068-2-6	20 ... 200 Hz: 5g
operating frequency maximum	1 000 1/h
mechanical service life (operating cycles) typical	3 000 000
reference code according to IEC 81346-2	S
Substance Prohibitance (Date)	07/01/2006
operating voltage rated value	5 ... 400 V
Auxiliary circuit	
number of NC contacts for auxiliary contacts	1
number of NO contacts for auxiliary contacts	0
number of CO contacts for auxiliary contacts	0
operational current at AC-12	
• at 24 V rated value	10 A
• at 48 V rated value	10 A
• at 110 V rated value	10 A
• at 230 V rated value	10 A
• at 400 V rated value	10 A

operational current at AC-15	
• at 24 V rated value	6 A
• at 48 V rated value	6 A
• at 110 V rated value	6 A
• at 230 V rated value	6 A
• at 400 V rated value	3 A
operational current at DC-12	
• at 24 V rated value	10 A
• at 48 V rated value	5 A
• at 110 V rated value	2.5 A
• at 230 V rated value	1 A
operational current at DC-13	
• at 24 V rated value	3 A
• at 48 V rated value	1.5 A
• at 110 V rated value	0.7 A
• at 230 V rated value	0.3 A

Connections/ Terminals

type of electrical connection	screw-type terminals
tightening torque of the screws in the bracket	1 ... 1.2 N·m

Ambient conditions

ambient temperature	
• during operation	-25 ... +60 °C
• during storage	-40 ... +80 °C
environmental category during operation according to IEC 60721	3K6

Installation/ mounting/ dimensions

fastening method	front mounting
shape of the installation opening	round
mounting diameter	22 mm
mounting height	8 mm
installation width	28.5 mm
installation depth	49 mm

Accessories

product component holder for 3 switching elements	Yes
--	-----

Certificates/ approvals

General Product Approval	Marine / Shipping
---------------------------------	--------------------------



Marine / Shipping	other
--------------------------	--------------

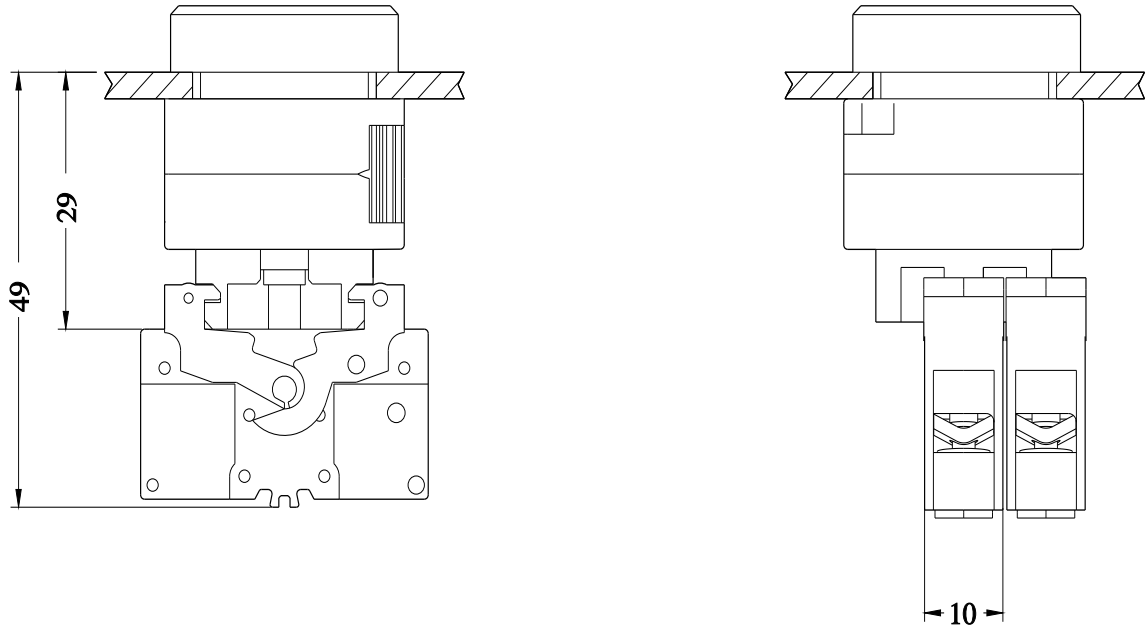


[Confirmation](#)

[Miscellaneous](#)

Further information

Siemens has decided to exit the Russian market (see here).
<https://press.siemens.com/global/en/pressrelease/siemens-wind-down-russian-business>
 Siemens is working on the renewal of the current EAC certificates.
 Please contact your local Siemens office on the status of validity of the EAC certification if you intend to import or offer to supply these products to an EAC relevant market (other than the sanctioned EAEU member states Russia or Belarus).
 Information on the packaging
<https://support.industry.siemens.com/cs/ww/en/view/109813875>
 Information- and Downloadcenter (Catalogs, Brochures,...)
<https://www.siemens.com/ic10>
 Industry Mall (Online ordering system)
<https://mall.industry.siemens.com/mall/en/en/Catalog/product?mlfb=3SB3207-0AA21>
 Cax online generator
<http://support.automation.siemens.com/WW/CAXorder/default.aspx?lang=en&mlfb=3SB3207-0AA21>
 Service&Support (Manuals, Certificates, Characteristics, FAQs,...)



last modified:

1/18/2021 