



22MM PLASTIC ROUND COMPLETE UNIT
 COMBINATION: INDICATOR LIGHT WITH SMOOTH
 LENSE NON-ILLUMINATED WITH LAMP HOLDER BA 9S
 WITHOUT LAMP SCREW TERMINAL WITH HOLDER RED

Actuator:	
Design of the operating mechanism	indicator light
Front ring:	
Product component / front ring	No
Color / of the front ring	black
Enclosure:	
Shape / of the housing front	round
material / of the housing	plastic
General technical details:	
Number of control points	0
Type of voltage	AC/DC
• of the operating voltage	
Operating voltage / rated value	
• minimum	V 5
• maximum	V 400
Design of the electrical connection	screw-type terminals
Number of switching positions	0
Product component / fluorescent materials	No

Product extension / optional / fluorescent materials		Yes
Resistance against shock		
<ul style="list-style-type: none"> • for devices with incandescent lamp / according to IEC 60068-2-27 • for devices without incandescent lamp / according to IEC 60068-2-27 		<= 30g
		<= 50g
Resistance against vibration / according to IEC 60068-2-6		20 ... 200 Hz: 5g
Operating cycles / maximum	1/h	1,000
Item designation		
<ul style="list-style-type: none"> • according to DIN EN 61346-2 • according to DIN 40719 extendable after IEC 204-2 / according to IEC 750 		P
		H

Auxiliary circuit:

Number of NC contacts / for auxiliary contacts		0
Number of NO contacts / for auxiliary contacts		0
Number of change-over switches / for auxiliary contacts		0

Installation/mounting/dimensions:

Execution of the mounting		BA 9s, without lamp
Type of mounting		front mounting
Shape / of the installation hole		round
Installation width	mm	28
Mounting diameter	mm	22
Mounting height	mm	11
Tightening torque / of the screws in the bracket / maximum	N·m	1

Ambient conditions:

Ambient temperature		
<ul style="list-style-type: none"> • during operating • during storage 	°C	-25 ... 60
	°C	-40 ... 80
Protection class IP		IP66

Certificates/approvals:

General Product Approval



CQC



CSA

[ROSTEST](#)



UL

Test Certificates

[Manufacturer](#)

Shipping Approval



ABS



BUREAU
VERITAS



DNV



LRS



PRS



RINA

other

[Manufacturer](#)

Further information:

Information- and Downloadcenter (Catalogs, Brochures,...)

<http://www.siemens.com/industrial-controls/catalogs>

Industry Mall (Online ordering system)

<http://www.siemens.com/industrial-controls/mall>

CAX-Online-Generator

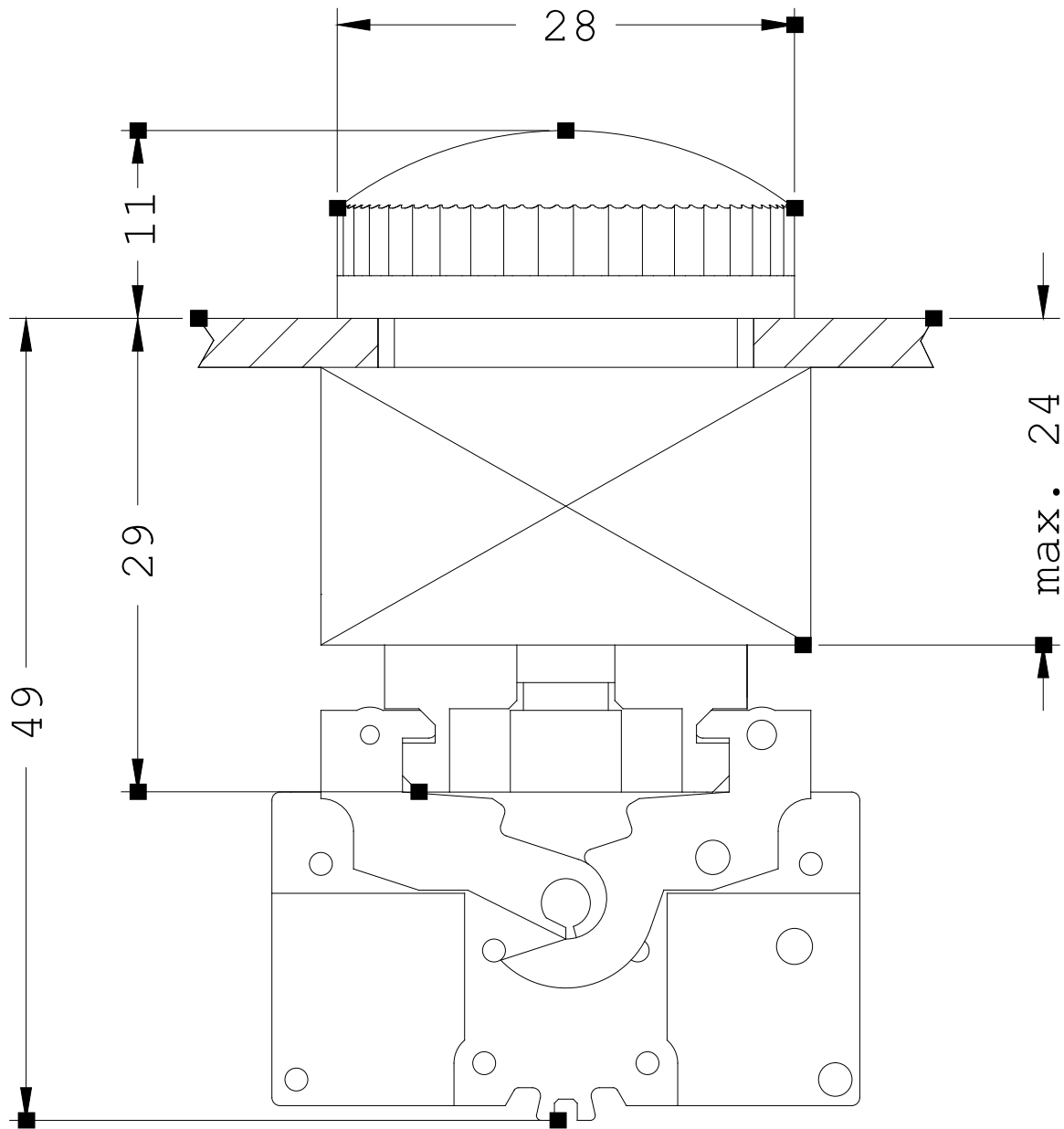
<http://www.siemens.com/cax>

Service&Support (Manuals, Certificates, Characteristics, FAQs,...)

<http://support.automation.siemens.com/WW/view/en/3SB3204-6AA20/all>

Image database (product images, 2D dimension drawings, 3D models, device circuit diagrams, ...)

http://www.automation.siemens.com/bilddb/cax_en.aspx?mlfb=3SB3204-6AA20



last change:

Oct 31, 2011