

22MM PLASTIC ROUND COMPLETE UNIT
 COMBINATION: PUSH-PULL BUTTON 40MM LATCHING
 W.PULL-TO-UNLOCK MECH. SCREW TERMINAL,
 1NO+1NC WITH HOLDER RED



Actuator:		
Design of the operating mechanism		mushromm push-pull-button
Front ring:		
Product component / front ring		Yes
Material / of the front ring		plastic
Color / of the front ring		black
Enclosure:		
Shape / of the housing front		round
material / of the housing		plastic
General technical details:		
Number of control points		1
Type of voltage		AC/DC
• of the operating voltage		
Operating voltage / rated value		
• minimum	V	5
• maximum	V	400
Design of the electrical connection		screw-type terminals
Number of switching positions		2

Product extension / optional / fluorescent materials		No
Resistance against shock • for devices without incandescent lamp / according to IEC 60068-2-27		<= 50g
Resistance against vibration / according to IEC 60068-2-6		20 ... 200 Hz: 5g
Operating cycles / maximum	1/h	1,000
Mechanical operating cycles as operating time / typical		300,000
Item designation • according to DIN EN 61346-2 • according to DIN 40719 extendable after IEC 204-2 / according to IEC 750		S S

Auxiliary circuit:

Number of NC contacts / for auxiliary contacts		1
Number of NO contacts / for auxiliary contacts		1
Number of change-over switches / for auxiliary contacts		0

Installation/mounting/dimensions:

Type of mounting		front mounting
Shape / of the installation hole		round
Installation width	mm	40
Mounting diameter	mm	22
Mounting height	mm	23.5
Tightening torque / of the screws in the bracket / maximum	N·m	1

Ambient conditions:

Ambient temperature • during operating • during storage	°C	-25 ... 70 -40 ... 80
Protection class IP		IP66

Certificates/approvals:

General Product Approval



CQC



CSA

[ROSTEST](#)



UL

Test Certificates

[Manufacturer](#)

Shipping Approval



ABS



BUREAU
VERITAS



DNV



LRS



PRS



RINA

other

[Manufacturer](#)

Further information:

Information- and Downloadcenter (Catalogs, Brochures,...)

<http://www.siemens.com/industrial-controls/catalogs>

Industry Mall (Online ordering system)

<http://www.siemens.com/industrial-controls/mall>

CAX-Online-Generator

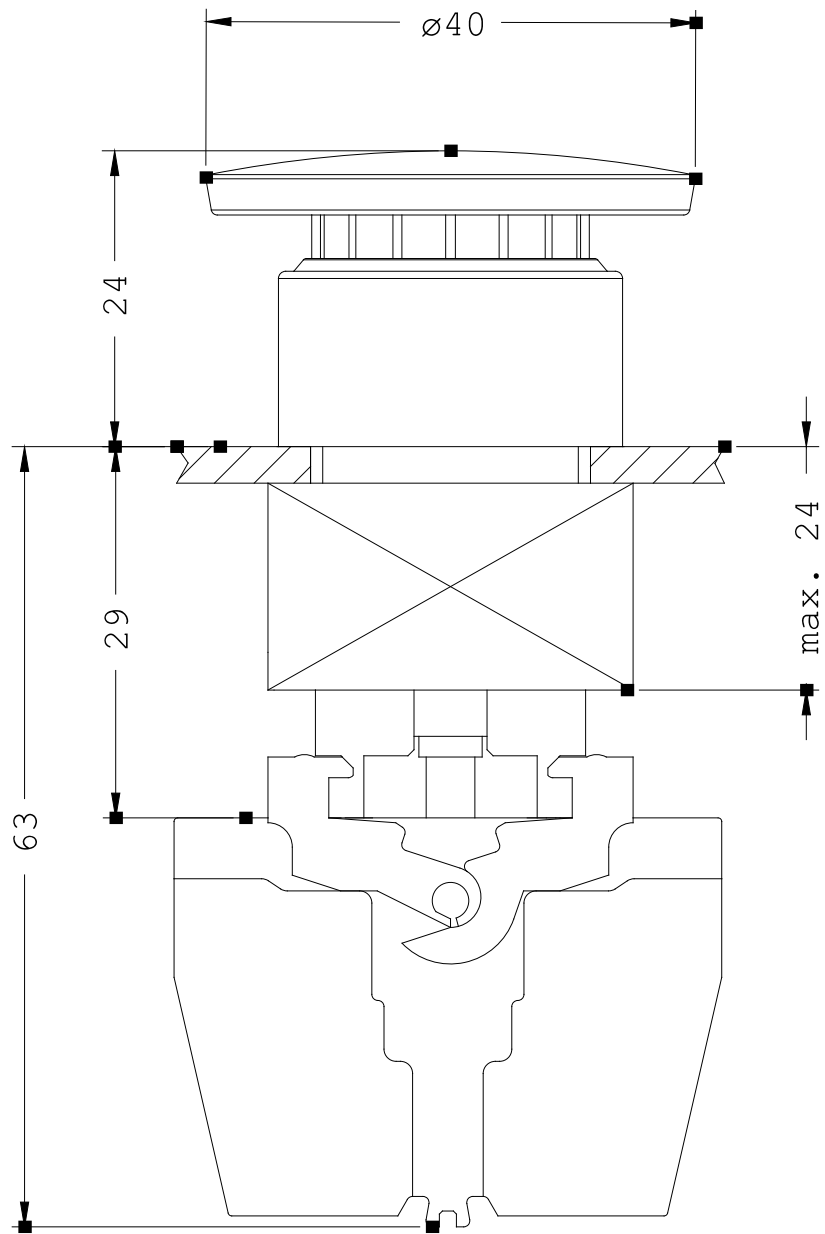
<http://www.siemens.com/cax>

Service&Support (Manuals, Certificates, Characteristics, FAQs,...)

<http://support.automation.siemens.com/WW/view/en/3SB3201-1CA21/all>

Image database (product images, 2D dimension drawings, 3D models, device circuit diagrams, ...)

http://www.automation.siemens.com/bilddb/cax_en.aspx?mlfb=3SB3201-1CA21



last change:

Oct 31, 2011