



Note! Changed technical specification! See data sheet/declaration of compliance with the order Pneumatic timing relay block ON delay 0.1 ... 30 s 1 NO + 1 NC, for motor contactors size S0 according to DIN VDE 0116 !!!
Phased-out product !!!

General technical data

product brand name		SIRIUS
product designation		pneumatic delay block
design of the product		slow-operating
size of contactor		S0
ambient temperature		
• during storage	°C	-50 ... +80
• during operation	°C	5 ... 50
protection class IP on the front		IP20
mechanical service life (operating cycles) typical		5 000 000
electrical endurance (operating cycles) at AC-15 at 230 V typical		1 000 000
mechanical service life (operating cycles)		
• with 3RT2.2 contactor		5 000 000
adjustable pickup delay time	s	0.1 ... 30
insulation voltage with degree of pollution 3 at AC rated value	V	690
relative accuracy of the operating delay time/backslide delay time related to set value	%	20

Auxiliary circuit

operational current		
• of auxiliary contacts		
— at AC-12 maximum	A	10
— at AC-14		
— at 230 V	A	6
— at 400 V	A	4
— at 500 V	A	2.5
— at 690 V	A	1.5
— at AC-15		
— at 230 V	A	6
— at 400 V	A	4
— at DC-13		
— at 24 V	A	4
— at 48 V	A	2
— at 110 V	A	0.7
— at 220 V	A	0.3
— at 440 V	A	0.1
• at AC-15		
— at 500 V rated value	A	2.5
— at 690 V rated value	A	1.5

Short-circuit protection

design of the fuse link for short-circuit protection of	Fuse gG 10 A with short-circuit current I _k = 1 kA according
--	---

the auxiliary switch required	to IEC 60947-5-1
-------------------------------	------------------

Installation/ mounting/ dimensions

fastening method		clip-on
width	mm	45
height	mm	44.6
depth	mm	83.5
mounting position		any

Connections/ Terminals

type of electrical connection for auxiliary and control circuit		screw-type terminals
type of connectable conductor cross-sections		
<ul style="list-style-type: none"> • for auxiliary contacts <ul style="list-style-type: none"> — solid — finely stranded — with core end processing • at AWG cables for auxiliary contacts 		2x (0.5 ... 1.5 mm ²), 2x (0.75 ... 2.5 mm ²) 2x (0.5 ... 1.5 mm ²), 2x (0.75 ... 2.5 mm ²) 2x (18 ... 14), 2x (20 ... 16)

Certificates/ approvals

certificate of suitability	CE / UL / CSA / CCC
General Product Approval	EMC



[Confirmation](#)



Declaration of Conformity	Marine / Shipping	other
---------------------------	-------------------	-------



EG-Konf.



[Confirmation](#)

other	Environment
-------	-------------



[Environmental Confirmations](#)

Safety related data

touch protection against electrical shock	finger-safe
---	-------------

Further information

Information- and Downloadcenter (Catalogs, Brochures,...)

<https://www.siemens.com/ic10>

Industry Mall (Online ordering system)

<https://mall.industry.siemens.com/mall/en/en/Catalog/product?mlfb=3RT2926-2PA01-0MT0>

Cax online generator

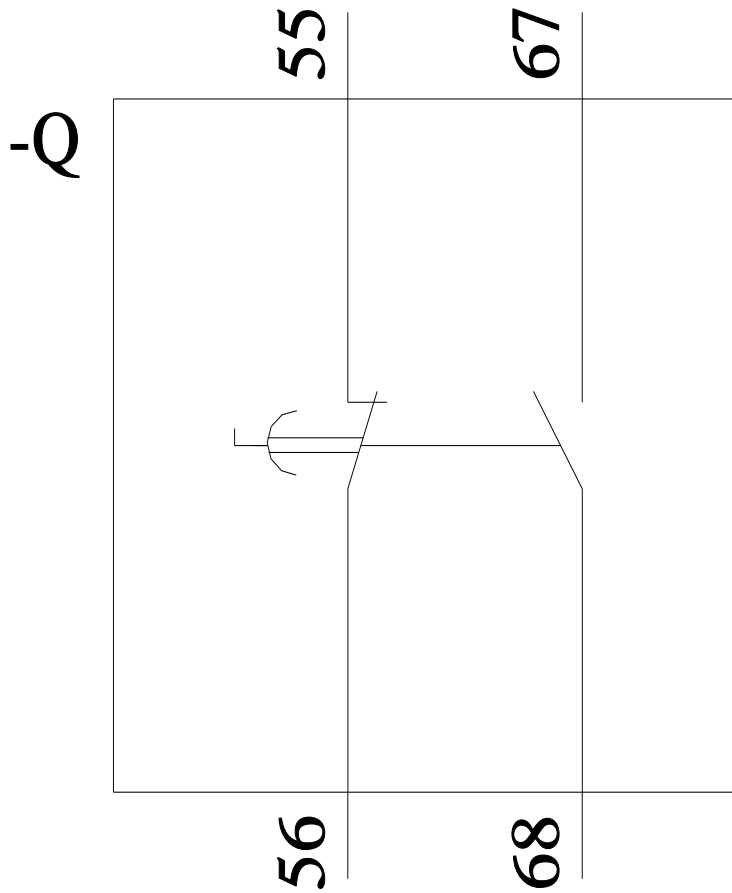
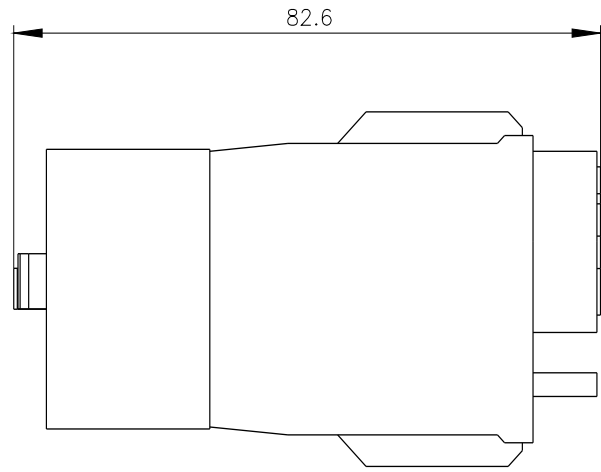
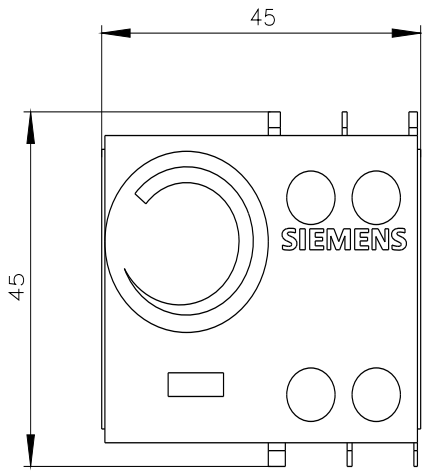
<http://support.automation.siemens.com/WW/CAXorder/default.aspx?lang=en&mlfb=3RT2926-2PA01-0MT0>

Service&Support (Manuals, Certificates, Characteristics, FAQs,...)

<https://support.industry.siemens.com/cs/ww/en/ps/3RT2926-2PA01-0MT0>

Image database (product images, 2D dimension drawings, 3D models, device circuit diagrams, EPLAN macros, ...)

http://www.automation.siemens.com/bilddb/cax_de.aspx?mlfb=3RT2926-2PA01-0MT0&lang=en



last modified:

10/1/2021 