



pneumatic time relay block ON delay 0.1 ... 30 s 1 NO + 1 NC, for motor contactors size S0 !!! phased-out product !!! successor 3RT2927-2PA01

General technical data

| | | |
|---|----|-----------------------|
| product brand name | | SIRIUS |
| product designation | | pneumatic delay block |
| design of the product | | slow-operating |
| size of contactor | | S0 |
| ambient temperature | | |
| • during storage | °C | -50 ... +80 |
| • during operation | °C | -25 ... +60 |
| protection class IP on the front | | IP20 |
| mechanical service life (operating cycles) typical | | 5 000 000 |
| electrical endurance (operating cycles) at AC-15 at 230 V typical | | 1 000 000 |
| mechanical service life (operating cycles) | | |
| • with 3RT2.2 contactor | | 5 000 000 |
| adjustable pickup delay time | s | 0.1 ... 30 |
| insulation voltage with degree of pollution 3 at AC rated value | V | 690 |
| relative accuracy of the operating delay time/backslide delay time | % | 10 |

Auxiliary circuit

| | | |
|----------------------------|---|-----|
| operational current | | |
| • of auxiliary contacts | | |
| — at AC-12 maximum | A | 10 |
| — at AC-14 | | |
| — at 230 V | A | 6 |
| — at 400 V | A | 4 |
| — at 500 V | A | 2.5 |
| — at 690 V | A | 1.5 |
| — at AC-15 | | |
| — at 230 V | A | 6 |
| — at 400 V | A | 4 |
| — at DC-13 | | |
| — at 24 V | A | 4 |
| — at 48 V | A | 2 |
| — at 110 V | A | 0.7 |
| — at 220 V | A | 0.3 |
| — at 440 V | A | 0.1 |
| • at AC-15 | | |
| — at 500 V rated value | A | 2.5 |
| — at 690 V rated value | A | 1.5 |

Short-circuit protection

| | |
|--|---|
| design of the fuse link for short-circuit protection of | Fuse gG 10 A with short-circuit current I _k = 1 kA according |
|--|---|

| | |
|-------------------------------|------------------|
| the auxiliary switch required | to IEC 60947-5-1 |
|-------------------------------|------------------|

Installation/ mounting/ dimensions

| | | |
|-------------------|----|---------|
| fastening method | | clip-on |
| width | mm | 45 |
| height | mm | 44.6 |
| depth | mm | 83.5 |
| mounting position | | any |

Connections/ Terminals

| | | |
|--|--|--|
| type of electrical connection for auxiliary and control circuit | | screw-type terminals |
| type of connectable conductor cross-sections | | |
| <ul style="list-style-type: none"> • for auxiliary contacts <ul style="list-style-type: none"> — solid — finely stranded — with core end processing • at AWG cables for auxiliary contacts | | 2x (0.5 ... 1.5 mm ²), 2x (0.75 ... 2.5 mm ²) 2x (0.5 ... 1.5 mm ²), 2x (0.75 ... 2.5 mm ²) 2x (18 ... 14), 2x (20 ... 16) |

Certificates/ approvals

| | |
|----------------------------|---------------------|
| certificate of suitability | CE / UL / CSA / CCC |
|----------------------------|---------------------|

| | | |
|--------------------------|-----|---------------------------|
| General Product Approval | EMC | Declaration of Conformity |
|--------------------------|-----|---------------------------|

[Confirmation](#)



| | | |
|---------------------------|-------------------|-------------------|
| Declaration of Conformity | Test Certificates | Marine / Shipping |
|---------------------------|-------------------|-------------------|



[Special Test Certificate](#)



| | | | |
|-------------------|-------|---------|-------------|
| Marine / Shipping | other | Railway | Environment |
|-------------------|-------|---------|-------------|



[Confirmation](#)



[Vibration and Shock](#)

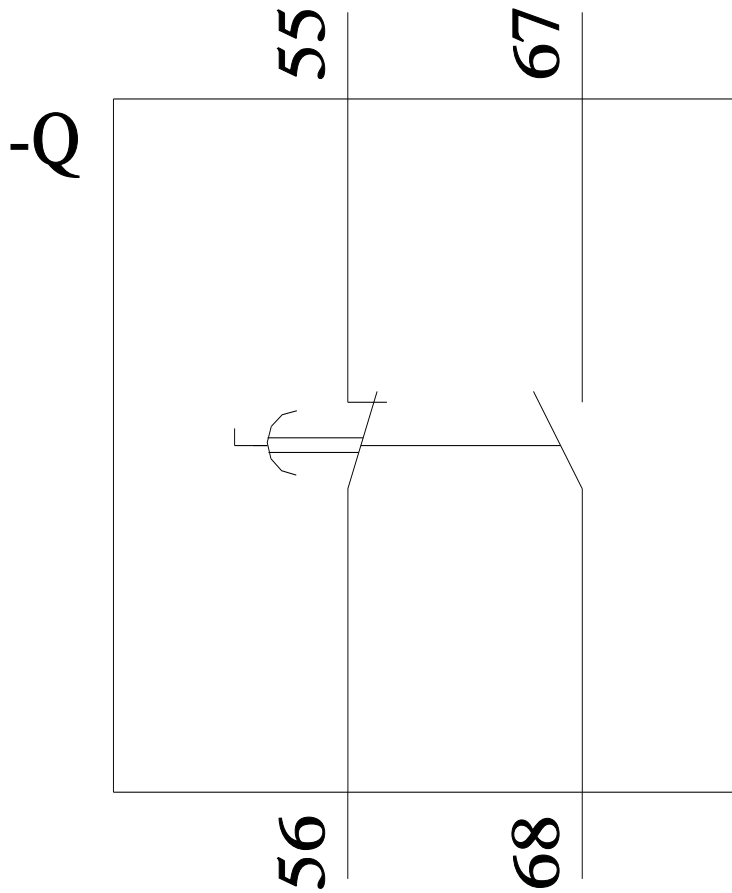
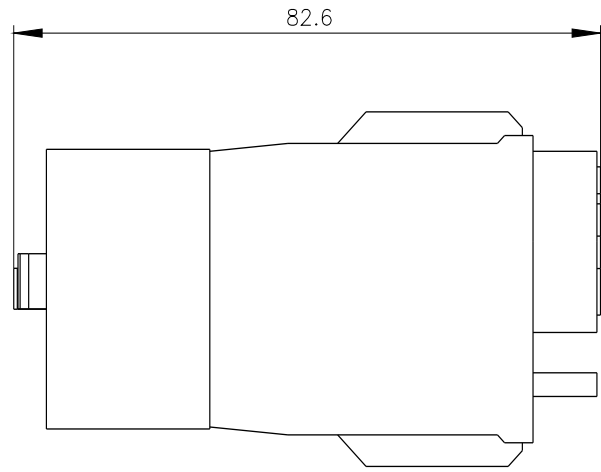
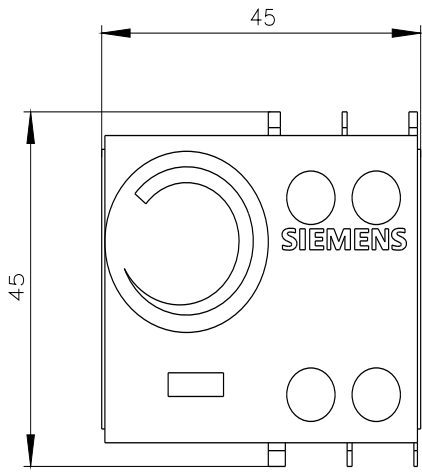
[Environmental Confirmations](#)

Safety related data

| | |
|---|-------------|
| touch protection against electrical shock | finger-safe |
|---|-------------|

Further information

Information- and Downloadcenter (Catalogs, Brochures,...)
<https://www.siemens.com/ic10>
 Industry Mall (Online ordering system)
<https://mall.industry.siemens.com/mall/en/en/Catalog/product?mlfb=3RT2926-2PA01>
 Cax online generator
<http://support.automation.siemens.com/WW/CAXorder/default.aspx?lang=en&mlfb=3RT2926-2PA01>
 Service&Support (Manuals, Certificates, Characteristics, FAQs,...)
<https://support.industry.siemens.com/cs/ww/en/ps/3RT2926-2PA01>
 Image database (product images, 2D dimension drawings, 3D models, device circuit diagrams, EPLAN macros, ...)
http://www.automation.siemens.com/bilddb/cax_de.aspx?mlfb=3RT2926-2PA01&lang=en



last modified:

10/1/2021 