



capacitor contactor, AC-6b 20 kVA_r, / 400 V, 3-pole, 230 V AC, 50 Hz, auxiliary contacts: 1 NO + 2 NC, screw terminal

product brand name	SIRIUS
product designation	capacitor contactors
product type designation	3RT26

General technical data

size of contactor	S0
product extension auxiliary switch	No
insulation voltage	
• of main circuit with degree of pollution 3 rated value	690 V
• of auxiliary circuit with degree of pollution 3 rated value	690 V
surge voltage resistance	
• of main circuit rated value	6 kV
• of auxiliary circuit rated value	6 kV
maximum permissible voltage for safe isolation between coil and main contacts according to EN 60947-1	400 V
shock resistance at rectangular impulse	
• at AC	8,3g / 5 ms, 5,3g / 10 ms
shock resistance with sine pulse	
• at AC	13,5g / 5 ms, 8,3g / 10 ms
mechanical service life (operating cycles)	
• of the contactor with added auxiliary switch block typical	3 000 000
electrical endurance (operating cycles)	200 000
reference code according to IEC 81346-2	Q
Substance Prohibitance (Date)	05/01/2014

Ambient conditions

installation altitude at height above sea level maximum	2 000 m
ambient temperature	
• during operation	-25 ... +60 °C
• during storage	-55 ... +80 °C
relative humidity minimum	10 %
relative humidity at 55 °C according to IEC 60068-2-30 maximum	95 %

Main circuit

number of poles for main current circuit	3
number of NO contacts for main contacts	3
number of NC contacts for main contacts	0
operational current at AC-6b at 690 V at ambient temperature 60 °C rated value	29 A
operating reactive power at AC-6b	
• at 230 V at 50/60 Hz at ambient temperature 60 °C rated value	4 ... 11.5 kvar
• at 400 V at 50/60 Hz at ambient temperature 60 °C	7 ... 20 kvar

rated value	
• at 500 V at 50/60 Hz at ambient temperature 60 °C	8 ... 25 kvar
rated value	
• at 690 V at 50/60 Hz at ambient temperature 60 °C	11 ... 34 kvar
rated value	
no-load switching frequency	
• at AC	500 1/h
operating frequency at AC-6b	
• at 230 V maximum	100 1/h
• at 240 V maximum	100 1/h
• at 400 V maximum	100 1/h
• at 480 V maximum	100 1/h
• at 500 V maximum	100 1/h
• at 600 V maximum	100 1/h
• at 690 V maximum	100 1/h
Control circuit/ Control	
type of voltage	AC
type of voltage of the control supply voltage	AC
control supply voltage at AC	
• at 50 Hz rated value	230 V
control supply voltage frequency	
• 1 rated value	50 Hz
operating range factor control supply voltage rated value of magnet coil at AC	
• at 50 Hz	0.8 ... 1.1
apparent pick-up power of magnet coil at AC	77 VA
inductive power factor with closing power of the coil	0.82
apparent holding power of magnet coil at AC	9.8 VA
inductive power factor with the holding power of the coil	0.25
closing delay	
• at AC	8 ... 40 ms
opening delay	
• at AC	4 ... 16 ms
arcing time	10 ... 10 ms
control version of the switch operating mechanism	Standard A1 - A2
residual current of the electronics for control with signal <0>	
• at AC at 230 V maximum permissible	7 mA
Auxiliary circuit	
number of NC contacts for auxiliary contacts	2
• attachable	0
• instantaneous contact	2
number of NO contacts for auxiliary contacts	1
• attachable	0
• instantaneous contact	1
operational current of auxiliary contacts at AC-12 maximum	10 A
operational current of auxiliary contacts at AC-15	
• at 230 V	6 A
• at 400 V	3 A
• at 690 V	1 A
operational current of auxiliary contacts at DC-13	
• at 24 V	6 A
• at 60 V	2 A
• at 110 V	1 A
• at 125 V	0.9 A
• at 220 V	0.3 A
contact reliability of auxiliary contacts	0.00000001
UL/CSA ratings	
contact rating of auxiliary contacts according to UL	A600 / Q600
Short-circuit protection	
design of the fuse link	
• for short-circuit protection of the main circuit with	gG: 63 A (690 V, 50 kA)

- type of coordination 1 required
- for short-circuit protection of the auxiliary switch required

gG: 10 A (500 V, 1 kA)

Installation/ mounting/ dimensions

mounting position	+/-180° rotation possible on vertical mounting surface; can be tilted forward and backward by +/- 22.5° on vertical mounting surface
fastening method	screw and snap-on mounting onto 35 mm DIN rail according to DIN EN 50022
height	135 mm
width	45 mm
depth	155 mm
required spacing	
<ul style="list-style-type: none"> • with side-by-side mounting at the side 	10 mm
<ul style="list-style-type: none"> • for grounded parts at the side 	10 mm

Connections/ Terminals

type of electrical connection	
<ul style="list-style-type: none"> • for main current circuit • for auxiliary and control circuit • at contactor for auxiliary contacts • of magnet coil 	screw-type terminals screw-type terminals Screw-type terminals Screw-type terminals
type of connectable conductor cross-sections for main contacts	
<ul style="list-style-type: none"> • solid • stranded • solid or stranded • finely stranded with core end processing 	2x (1 ... 2.5 mm ²), 2x (2.5 ... 10 mm ²) 2x (1 ... 2.5 mm ²), 2x (2.5 ... 10 mm ²) 2x (1 ... 2.5 mm ²), 2x (2.5 ... 10 mm ²) 2x (1 ... 2.5 mm ²), 2x (2.5 ... 6 mm ²), 1x 10 mm ²
type of connectable conductor cross-sections	
<ul style="list-style-type: none"> • for auxiliary contacts <ul style="list-style-type: none"> — solid — solid or stranded — finely stranded with core end processing • at AWG cables for auxiliary contacts 	2x (0.5 ... 1.5 mm ²), 2x (0.75 ... 2.5 mm ²), 2x 4 mm ² 2x (0.5 ... 1.5 mm ²), 2x (0.75 ... 2.5 mm ²), 2x 4 mm ² 2x (0.5 ... 1.5 mm ²), 2x (0.75 ... 2.5 mm ²) 2x (20 ... 16), 2x (18 ... 14), 2x 12
type of minimum connectable cross-section for main contacts at AC-6b	
<ul style="list-style-type: none"> • at 40 °C • at 60 °C 	1x 10 mm ² 2x 10 mm ²
AWG number as coded connectable conductor cross section for main contacts	16 ... 8

Safety related data

product function	
<ul style="list-style-type: none"> • mirror contact according to IEC 60947-4-1 • positively driven operation according to IEC 60947-5-1 	No No
protection class IP on the front according to IEC 60529	IP20
touch protection on the front according to IEC 60529	finger-safe, for vertical contact from the front

Certificates/ approvals

General Product Approval	EMC
---------------------------------	------------



[Confirmation](#)



Declaration of Conformity	Test Certificates	Marine / Shipping
----------------------------------	--------------------------	--------------------------



[Type Test Certificates/Test Report](#)



other	Dangerous Good
--------------	-----------------------



Further information

Information on the packaging

<https://support.industry.siemens.com/cs/ww/en/view/109813875>

Information- and Downloadcenter (Catalogs, Brochures,...)

<https://www.siemens.com/ic10>

Industry Mall (Online ordering system)

<https://mall.industry.siemens.com/mall/en/en/Catalog/product?mlfb=3RT2626-1AP05>

Cax online generator

<http://support.automation.siemens.com/WW/CAXorder/default.aspx?lang=en&mlfb=3RT2626-1AP05>

Service&Support (Manuals, Certificates, Characteristics, FAQs,...)

<https://support.industry.siemens.com/cs/ww/en/ps/3RT2626-1AP05>

Image database (product images, 2D dimension drawings, 3D models, device circuit diagrams, EPLAN macros, ...)

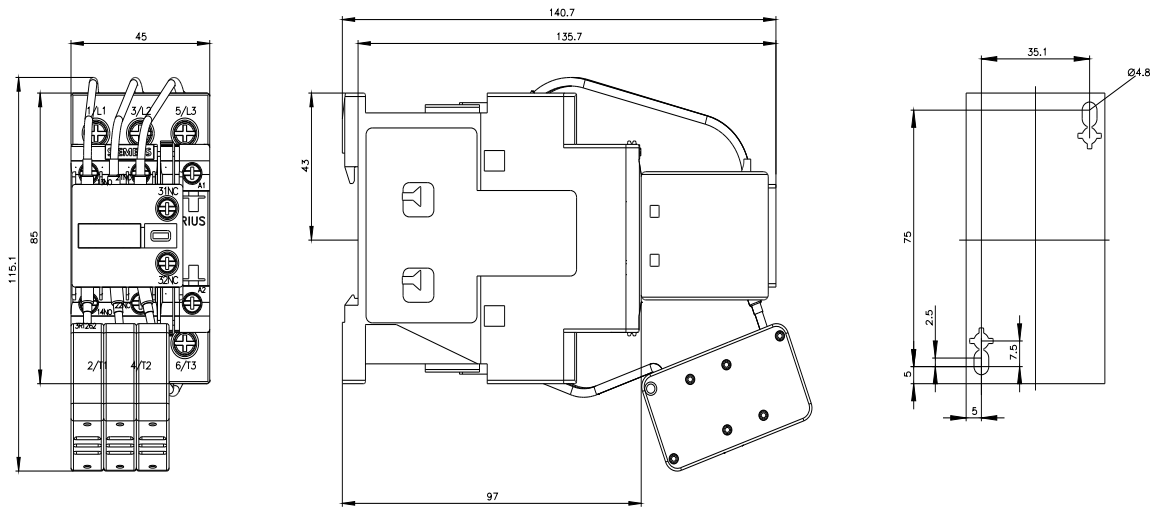
http://www.automation.siemens.com/bilddb/cax_de.aspx?mlfb=3RT2626-1AP05&lang=en

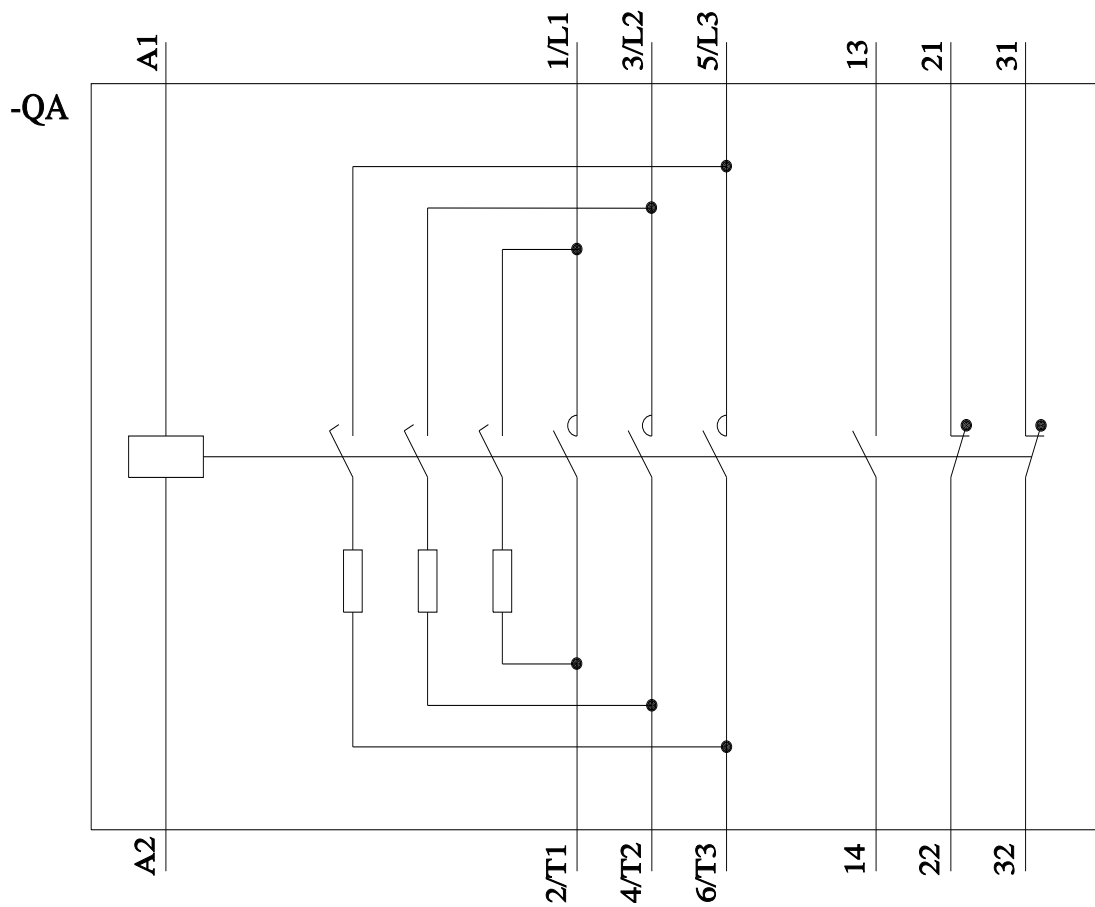
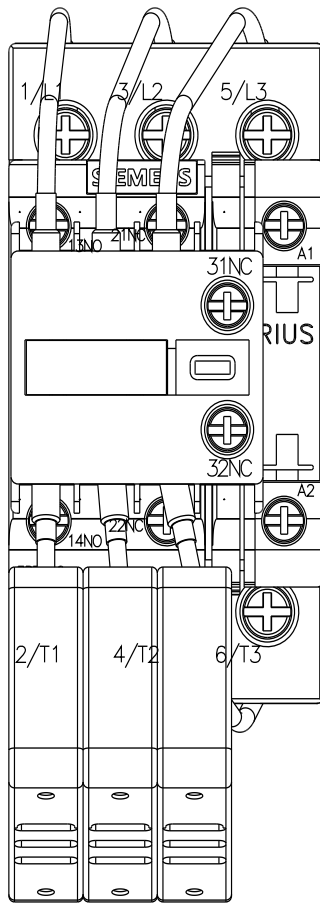
Characteristic: Tripping characteristics, I²t, Let-through current

<https://support.industry.siemens.com/cs/ww/en/ps/3RT2626-1AP05/char>

Further characteristics (e.g. electrical endurance, switching frequency)

<http://www.automation.siemens.com/bilddb/index.aspx?view=Search&mlfb=3RT2626-1AP05&objecttype=14&gridview=view1>





last modified:

11/21/2022 ↻