

AS-Interface M12 branch U_ASI without Uaux, with M12 socket IP67/68/69K, max. 4 A



General technical data			
Type of device		AS-Interface accessories	
design of the product		AS-i M12 feeder, AS-i without Uaux, M12 socket	
Function		AS-i flat cable transition to M12	
operating voltage according to AS-Interface specification	V	26.5 ... 31.6	
Number sockets		1	
Note		cable must not end in the feeder	
Connections/ Terminals			
type of electrical connection		insulation piercing method for AS-Interface flat cable	
AS interface			
• Connection		1x M12 socket	
Inputs			
Inputs socket assignment		1 = AS-i "+" 3=AS-i "-"	
Mechanical data			
Type of mounting		screw fixing	
Contacts Load rating max	A	4	
Ambient conditions			
ambient temperature	°C	-25 ... +75	
ambient temperature during storage	°C	-25 ... +85	
degree of protection		IP67/68/69K	
Certificates/ approvals			
General Product Approval	EMC	Declaration of Conformity	Marine / Shipping

[Confirmation](#)



Marine / Shipping

other



[Confirmation](#)

Further information

Information- and Downloadcenter (Catalogs, Brochures,...)

<https://www.siemens.com/ic10>

Industry Mall (Online ordering system)

<https://mall.industry.siemens.com/mall/en/en/Catalog/product?mlfb=3RK1901-1NR10>

Cax online generator

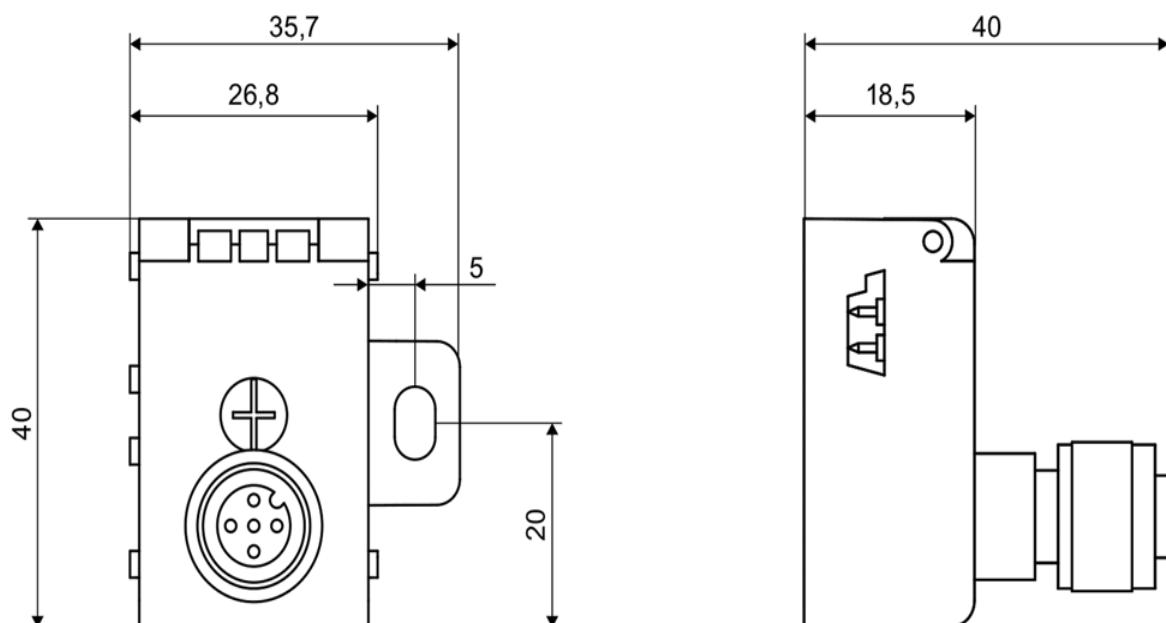
<http://support.automation.siemens.com/WW/CAxorder/default.aspx?lang=en&mlfb=3RK1901-1NR10>

Service&Support (Manuals, Certificates, Characteristics, FAQs,...)

<https://support.industry.siemens.com/cs/ww/en/ps/3RK1901-1NR10>

Image database (product images, 2D dimension drawings, 3D models, device circuit diagrams, EPLAN macros, ...)

http://www.automation.siemens.com/bilddb/cax_de.aspx?mlfb=3RK1901-1NR10&lang=en



last modified:

1/18/2021 