

WCC 18 - Cable clamp

3240253

<https://www.phoenixcontact.com/pc/products/3240253>

Please be informed that the data shown in this PDF document is generated from our online catalog. Please find the complete data in the user documentation. Our general terms of use for downloads are valid.

Cable clamp, for DIN rails



Commercial data

Item number	3240253
Packing unit	25 pc
Minimum order quantity	1 pc
Product key	BE7421
Catalog page	Page 583 (C-3-2019)
GTIN	4046356464550
Weight per piece (including packing)	38.548 g
Weight per piece (excluding packing)	37.37 g
Customs tariff number	73269098
Country of origin	CN

WCC 18 - Cable clamp



3240253

<https://www.phoenixcontact.com/pc/products/3240253>

Technical data

Product properties

Product type	Cable feed-through
--------------	--------------------

Material specifications

Material	Steel
Coating	galvanized

Cable/line

External cable diameter	12 mm ... 18 mm
-------------------------	-----------------

Mounting

Mounting type	DIN rail mounting
---------------	-------------------

WCC 18 - Cable clamp

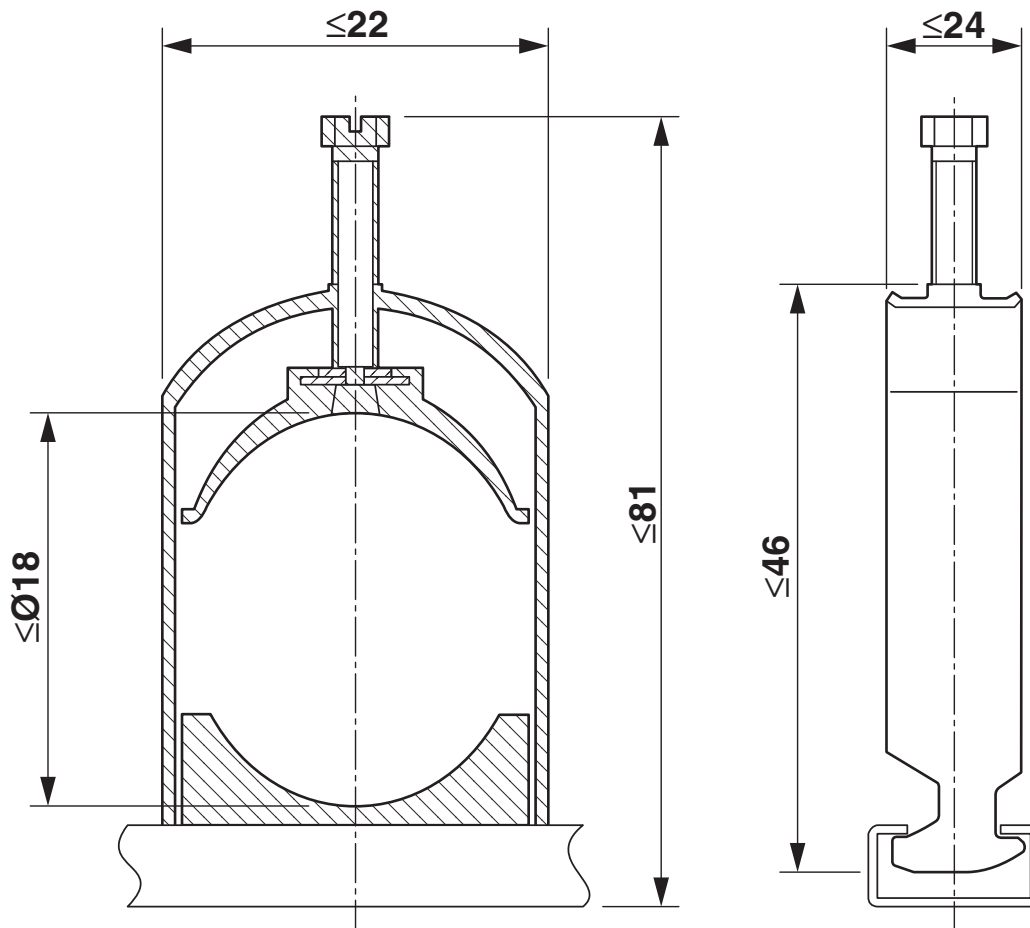
3240253

<https://www.phoenixcontact.com/pc/products/3240253>



Drawings

Dimensional drawing



WCC 18 - Cable clamp

3240253

<https://www.phoenixcontact.com/pc/products/3240253>



Classifications

ECLASS

ECLASS-11.0	23159090
ECLASS-12.0	23159090
ECLASS-13.0	23159090

ETIM

ETIM 9.0	EC000464
----------	----------

UNSPSC

UNSPSC 21.0	31162900
-------------	----------

WCC 18 - Cable clamp

3240253

<https://www.phoenixcontact.com/pc/products/3240253>



Environmental product compliance

China RoHS	Environmentally friendly use period: unlimited = EFUP-e
	No hazardous substances above threshold values

Phoenix Contact 2024 © - all rights reserved
<https://www.phoenixcontact.com>

PHOENIX CONTACT GmbH & Co. KG
Flachmarktstraße 8
D-32825 Blomberg
+49 (0) 5235-3 00
info@phoenixcontact.com