

AB-SK/E-NS 35 - Support bracket



3213111

<https://www.phoenixcontact.com/us/products/3213111>

Please be informed that the data shown in this PDF document is generated from our online catalog. Please find the complete data in the user documentation. Our general terms of use for downloads are valid.



Support bracket, Bracket for busbars, set every 20 cm, depth: 33.7 mm, width: 56 mm, height: 50 mm, number of positions: 2, color: silver, mounting type: DIN rail mounting

Your advantages

- Version for NS 35 DIN rail mounting
- T-shaped support brackets for space-saving direct mounting and free positioning on the mounting panel
- Suitable for SK 5 to SK 14, SKS 8, and SKS 14 shield connection clamps

Commercial data

Item number	3213111
Packing unit	10 pc
Minimum order quantity	10 pc
Sales key	BE07
Product key	BE7113
Catalog page	Page 576 (C-3-2019)
GTIN	4046356549172
Weight per piece (including packing)	41.47 g
Weight per piece (excluding packing)	38.548 g
Customs tariff number	76169990
Country of origin	CN

AB-SK/E-NS 35 - Support bracket

3213111

<https://www.phoenixcontact.com/us/products/3213111>

Technical data

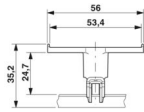
Product properties

Product type	Support bracket
Number of positions	2

Electrical properties

Nominal current I_N	0 A
-----------------------	-----

Dimensions

Dimensional drawing	
Width	56 mm
Height	50 mm
Depth	33.7 mm

Material specifications

Color	silver
Insulating material	PA

Mounting

Mounting type	DIN rail mounting
---------------	-------------------

AB-SK/E-NS 35 - Support bracket

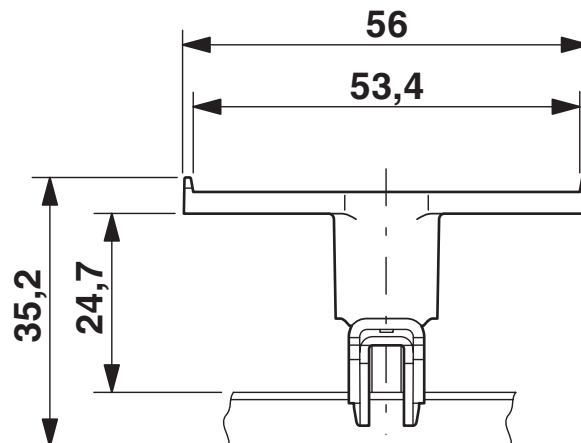
3213111

<https://www.phoenixcontact.com/us/products/3213111>



Drawings

Dimensional drawing



AB-SK/E-NS 35 - Support bracket



3213111

<https://www.phoenixcontact.com/us/products/3213111>

Classifications

ECLASS

ECLASS-11.0	27400607
ECLASS-12.0	27400607
ECLASS-13.0	27400607

ETIM

ETIM 9.0	EC001166
----------	----------

UNSPSC

UNSPSC 21.0	39121700
-------------	----------

AB-SK/E-NS 35 - Support bracket



3213111

<https://www.phoenixcontact.com/us/products/3213111>

Environmental product compliance

EU RoHS

Fulfills EU RoHS substance requirements	Yes, No exemptions
---	--------------------

China RoHS

Environment friendly use period (EFUP)	EFUP-E
	No hazardous substances above the limits

EU REACH SVHC

REACH candidate substance (CAS No.)	No substance above 0.1 wt%
-------------------------------------	----------------------------

Phoenix Contact 2024 © - all rights reserved
<https://www.phoenixcontact.com>

Phoenix Contact USA
586 Fulling Mill Road
Middletown, PA 17057, United States
(+717) 944-1300
info@phoenixcon.com