

AI 2,5 - 8 GY - Ferrule

3200069

<https://www.phoenixcontact.com/pc/products/3200069>



Please be informed that the data shown in this PDF document is generated from our online catalog. Please find the complete data in the user documentation. Our general terms of use for downloads are valid.

Ferrule, sleeve length: 8 mm, color: gray



Your advantages

- In terms of dimensions, these ferrules conform to DIN 46228-4: 1990-09
- The color code of the plastic insulating collar is based on the French standard NF C 63-023: 1994-02
- The metal sleeves are made from soft tin-plated electrolytic copper

Commercial data

Item number	3200069
Packing unit	100 pc
Minimum order quantity	100 pc
Sales key	05
Product key	BH3411
Catalog page	Page 482 (C-3-2019)
GTIN	4017918093716
Weight per piece (including packing)	0.153 g
Weight per piece (excluding packing)	0.151 g
Customs tariff number	85369010
Country of origin	DE

AI 2,5 - 8 GY - Ferrule

3200069

<https://www.phoenixcontact.com/pc/products/3200069>

Technical data

Product properties

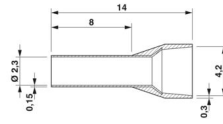
Product type	Cable end sleeve
Conductor category	stranded conductors, class 2, 5, 6 / B, C, K, M

Connection data

Conductor connection

Conductor cross section flexible max.	2.5 mm ²
Conductor cross section AWG max.	14
Stripping length	11 mm

Dimensions

Dimensional drawing	
Sleeve length	8 mm
Maximum stripping length	11 mm
Ferrule diameter	2.3 mm
Sleeve wall thickness	0.15 mm
Insulating collar thickness	0.3 mm
Inner dimensions of the insulating collar	4.2 mm

Material specifications

Color	gray
Material	CU-DHP
Flammability rating according to UL 94	HB
Coating	tin-plated (galvanic)
Components	free from silicone and halogen

Mechanical properties

Technical data

Sleeve length	8 mm
---------------	------

Environmental and real-life conditions

Ambient conditions

Permanent temperature	105 °C (-40 °C no load / 0 °C dynamic load)
Short-term temperature	120 °C

Standards and regulations

AI 2,5 - 8 GY - Ferrule

3200069

<https://www.phoenixcontact.com/pc/products/3200069>



Design according to standard

NFC 63-023

AI 2,5 - 8 GY - Ferrule

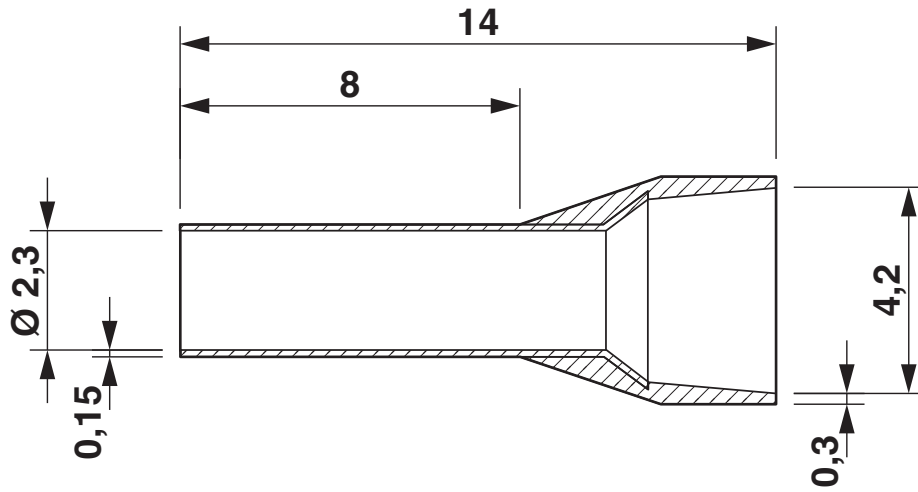
3200069

<https://www.phoenixcontact.com/pc/products/3200069>



Drawings

Dimensional drawing



AI 2,5 - 8 GY - Ferrule

3200069

<https://www.phoenixcontact.com/pc/products/3200069>



Approvals

To download certificates, visit the product detail page: <https://www.phoenixcontact.com/pc/products/3200069>



cULus Listed

Approval ID: E488001

AI 2,5 - 8 GY - Ferrule

3200069

<https://www.phoenixcontact.com/pc/products/3200069>



Classifications

ECLASS

ECLASS-11.0	27400201
ECLASS-13.0	27400201
ECLASS-12.0	27400201

ETIM

ETIM 9.0	EC000005
----------	----------

UNSPSC

UNSPSC 21.0	27121700
-------------	----------

AI 2,5 - 8 GY - Ferrule

3200069

<https://www.phoenixcontact.com/pc/products/3200069>



Environmental product compliance

EU RoHS

Fulfills EU RoHS substance requirements	Yes, No exemptions
---	--------------------

China RoHS

Environment friendly use period (EFUP)	EFUP-E
	No hazardous substances above the limits

EU REACH SVHC

REACH candidate substance (CAS No.)	No substance above 0.1 wt%
-------------------------------------	----------------------------

Phoenix Contact 2024 © - all rights reserved
<https://www.phoenixcontact.com>

PHOENIX CONTACT GmbH & Co. KG
Flachmarktstraße 8
D-32825 Blomberg
+49 (0) 5235-3 00
info@phoenixcontact.com