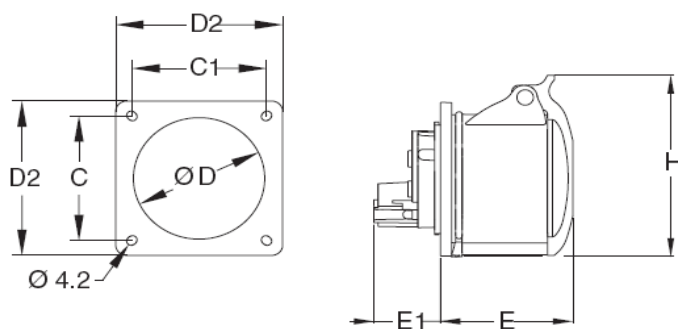


Socket-outlets for panel mounting IP44

Enclosure : Thermoplastic
Cable area for 16A : 1.5 - 4 mm²
Cable area for 32A : 2.5 - 10 mm²

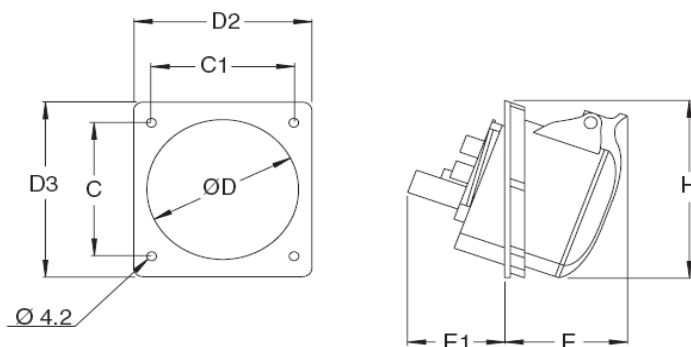
Terminals/ Poles	Type	Earthing position	Color code	Voltage V	Frequency Hz	Order Code	Pack. Qty	Weight kg/pce	Rated Current
2P+E	216R4	4h	Yellow	100-130	50/60	2CMA193145R1000	10	0.140	16
2P+E	216RAM6	6h	Blue	200-250	50/60	2CMA170004R1000	10	0.210	16
3P+N+E	432RAM6	6h	Red	346-415	50/60	2CMA170044R1000	10	0.240	32

Dimensions



216-416R..

Type	C	C1	D	D2	E	E1	H
216R..	44-47	44-47	49	56	56	29	73



216-432RAM...

Type	C	C1	D	D2	D3	E	E1	H
216RAM..	55	55	63	70	78	53	42	76
432RAM..	75	75	87	93	99	64	52	101